

Ulti MATE



BASE CABINET
Model Number # GA-04

Heavy Duty, Three Drawer, One Deep Base Cabinet

PLEASE DO NOT TAKE THIS PRODUCT BACK TO THE STORE!

Most likely, stores do not stock spare parts and cannot help. In the event that parts are missing.

PLEASE CALL: 800-344-7005

ASSEMBLY INSTRUCTIONS



ARMOIRE SUR LE PLANCHER
N° de modèle : GA-04

Armoire solide simple à trois tiroirs

SVP NE PAS RAPPORTER CE PRODUIT AU MAGASIN !

Les magasins ne peuvent probablement pas vous aider, car ils ne tiennent pas les pièces de rechange en stocks. Si des pièces manquent.

VEUILLEZ APPELER AU 800 344-7005

DIRECTIVES POUR L'ASSEMBLAGE

PARTS LIST

Ulti MATE



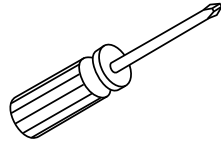
BASE CABINET MODEL #GA-04

Using the Parts List below, check to make sure all parts are included. Instructions will reference Part Letters found in this list.
In the event that parts are missing or damaged.

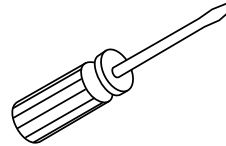
PLEASE CALL: 800-344-7005

TOOLS NEEDED FOR ASSEMBLY

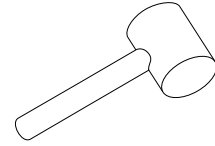
OUTILS NÉCESSAIRES POUR L'ASSEMBLAGE



Phillips Screw Driver



Flat Screw Driver



Rubber Mallet

#	DESCRIPTION	QTY	IMAGE	#	DESCRIPTION	QTY	IMAGE
a	Side Panel (RIGHT)	1		i	Small Drawer (RIGHT)	2	
b	Side Panel (Left)	1		j	Small Drawer (LEFT)	2	
c	Bottom Panel	1		k	All Drawers (BOTTOM)	3	
d	Top Work Surface	1		l	Large Drawer (BACK)	1	
e	Back Panel	1		m	Large Drawer (RIGHT)	1	
f	Large Drawer Face	1		n	Large Drawer (LEFT)	1	
g	Drawer Face	2		o	Spanner	1	
h	Small Drawer (BACK)	2					

PARTS LIST Uti MATE



ARMOIRE SIMPLE, N° DE MODÈLE GA-04

Consultez la liste des pièces ci-après afin de vous assurer de les avoir toutes. Les directives sont pour les pièces décrites dans la liste. Ayez la liste à la main si vous devez téléphoner pour des pièces manquantes ou endommagées.

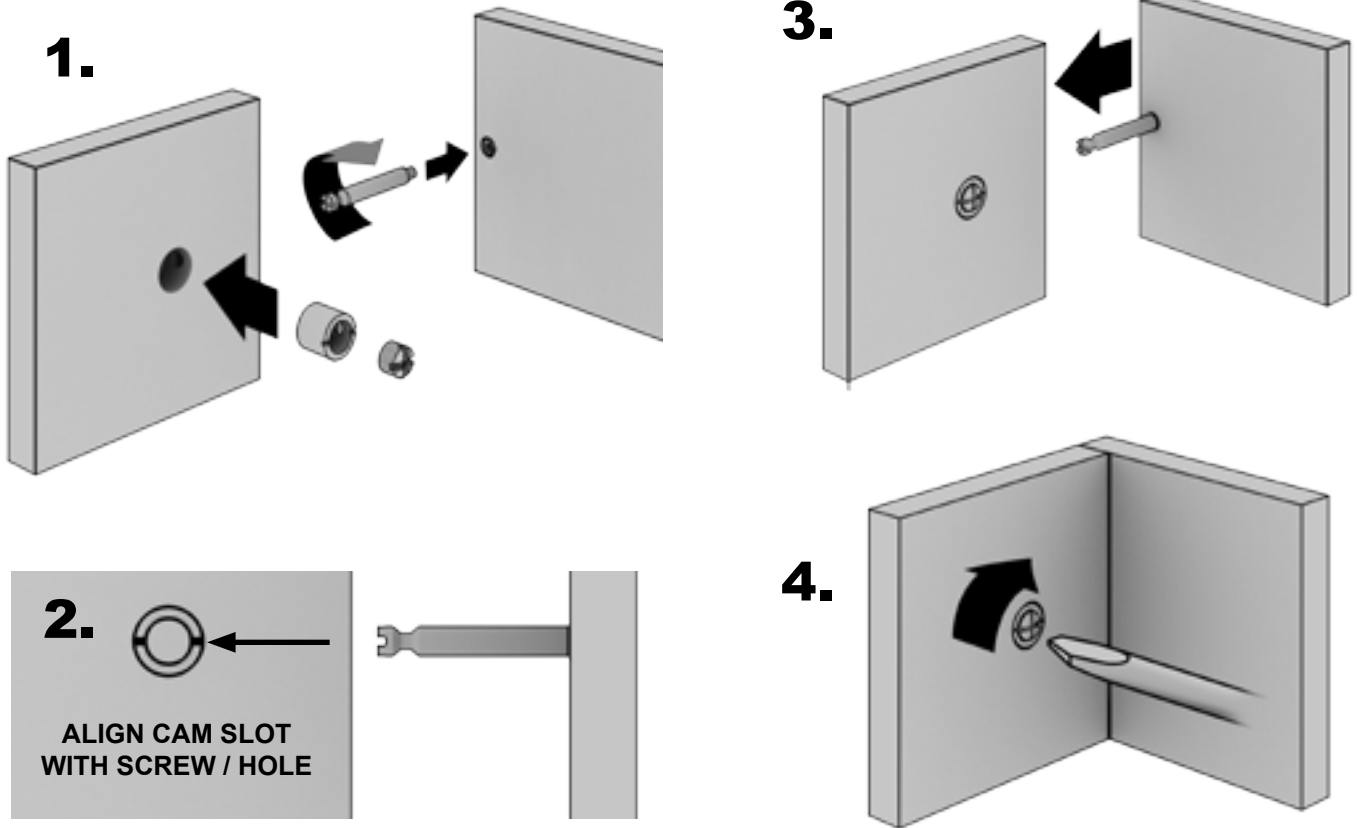
VEUILLEZ APPELER AU 800 344-7005

#	DESCRIPTION	QTY	IMAGE	#	DESCRIPTION	QTY	IMAGE
aa	Screw (4.5 x 42mm)	16		ff	Pull	3	
bb	Wooden Dowel	8		gg	Screw (M5 x 25mm)	6	
cc	Cam	20		hh	Spring Washer	6	
dd	Metal Dowel	20		ii	Corner Support	4	
ee	Foot	4		jj	Screw	4	
				kk	Touch-up Paint	1	
				ll	Caster	1	
				mm	Screw (4.5 x 16mm)	4	

BEFORE YOU BEGIN | AVANT DE COMMENCER

CAM STYLE FASTENERS ARE USED THROUGHOUT THE ASSEMBLY OF THIS CABINET. ASSEMBLE ALL CAMS AS SHOWN BELOW.

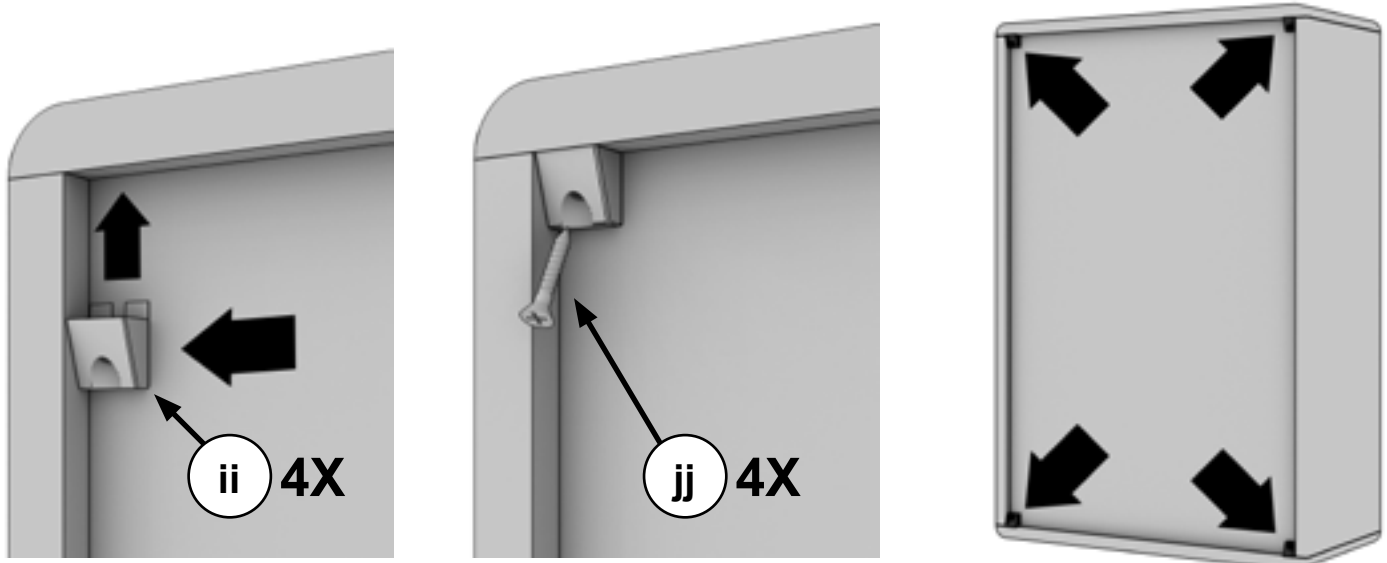
L'ASSEMBLAGE DE L'ARMOIRE SE FAIT AVEC DES ATTACHES À CAMES. ASSEMBLEZ TOUTES LES CAMES COMME ILLUSTRÉ CI-DESSOUS.

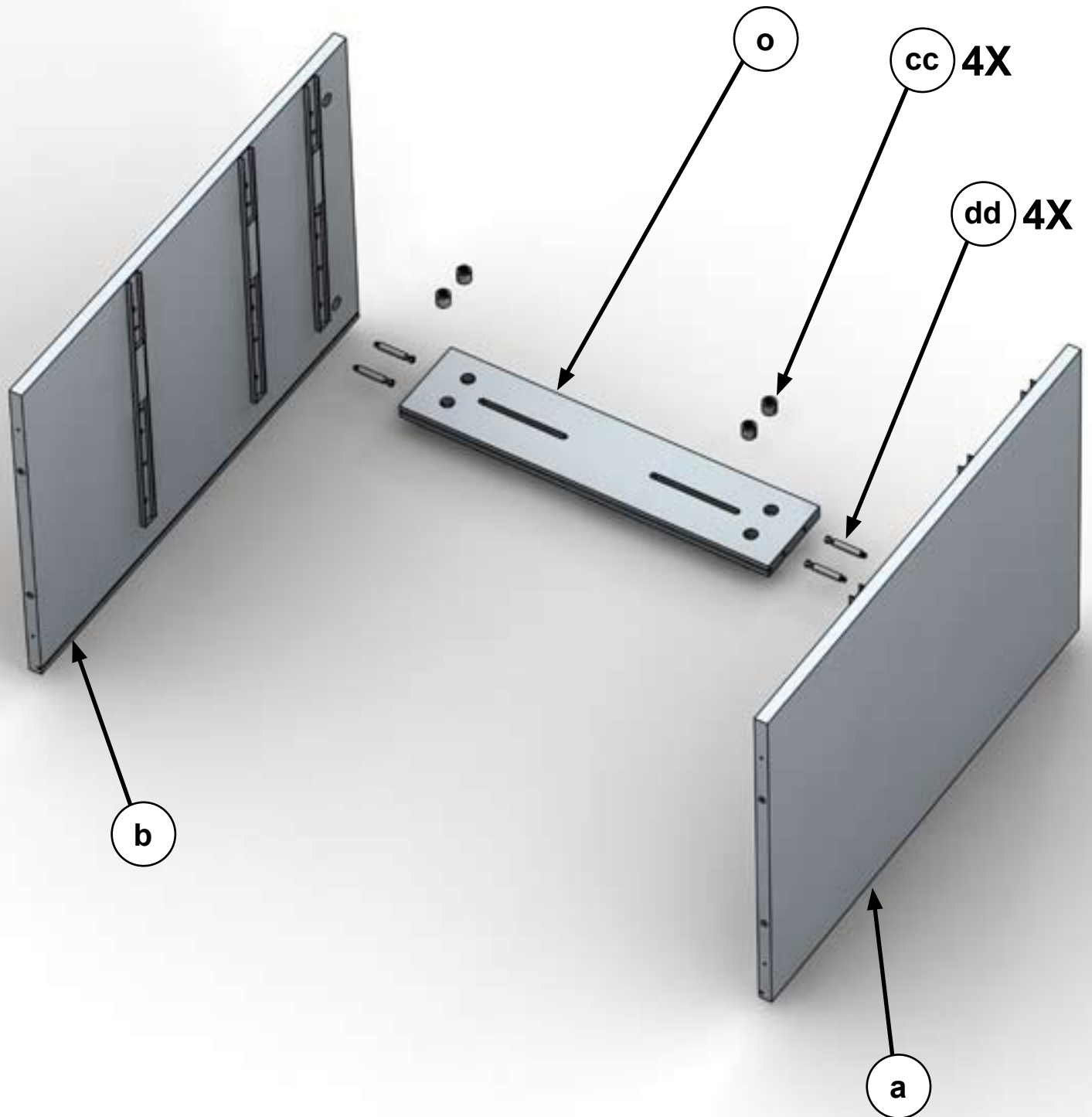


WHEN YOU FINISH | AVANT DE TERMINER

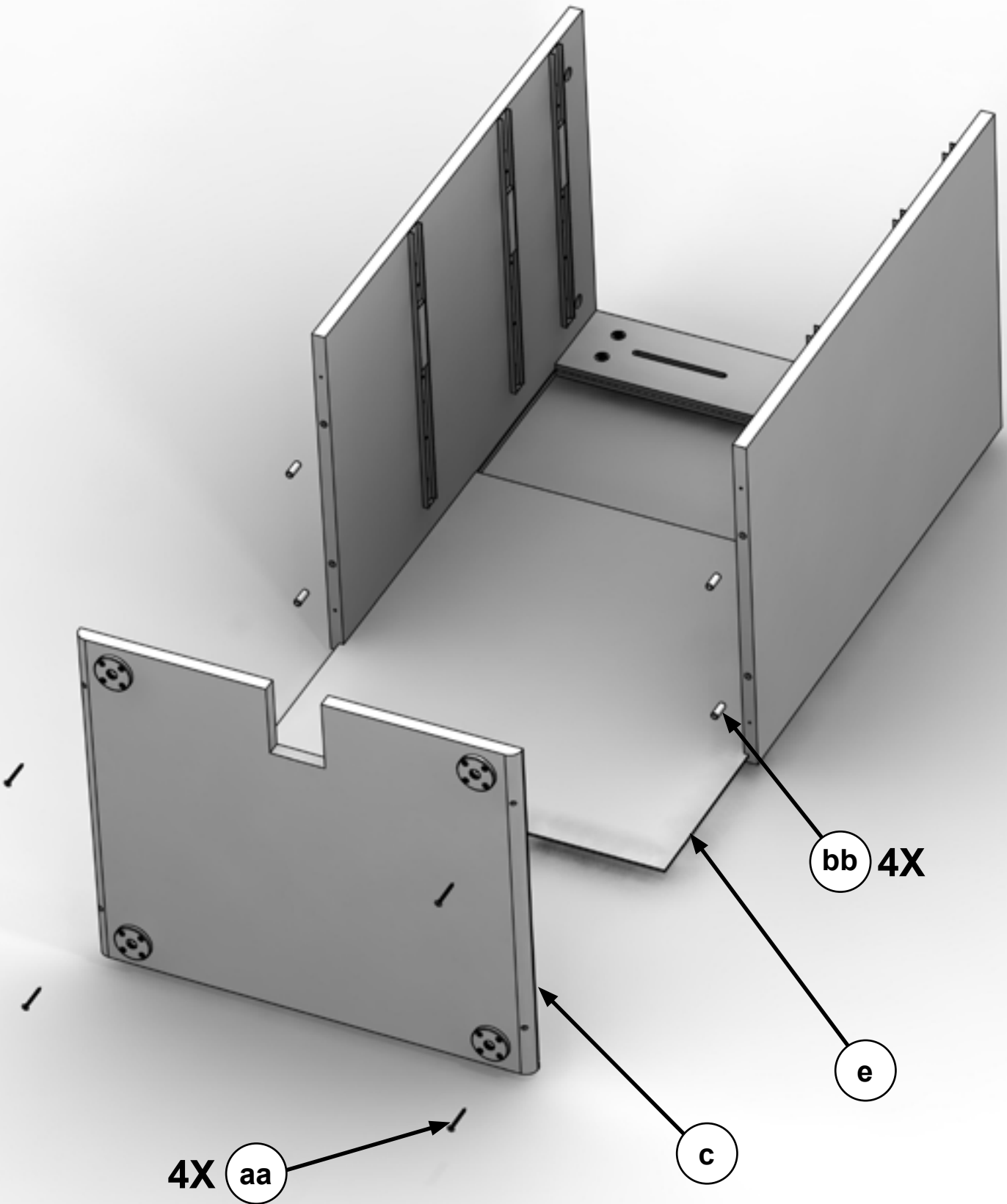
ADDING CORNER SUPPORTS TO THE BACK WILL GREATLY INCREASE THE STRENGTH OF YOUR CABINET.

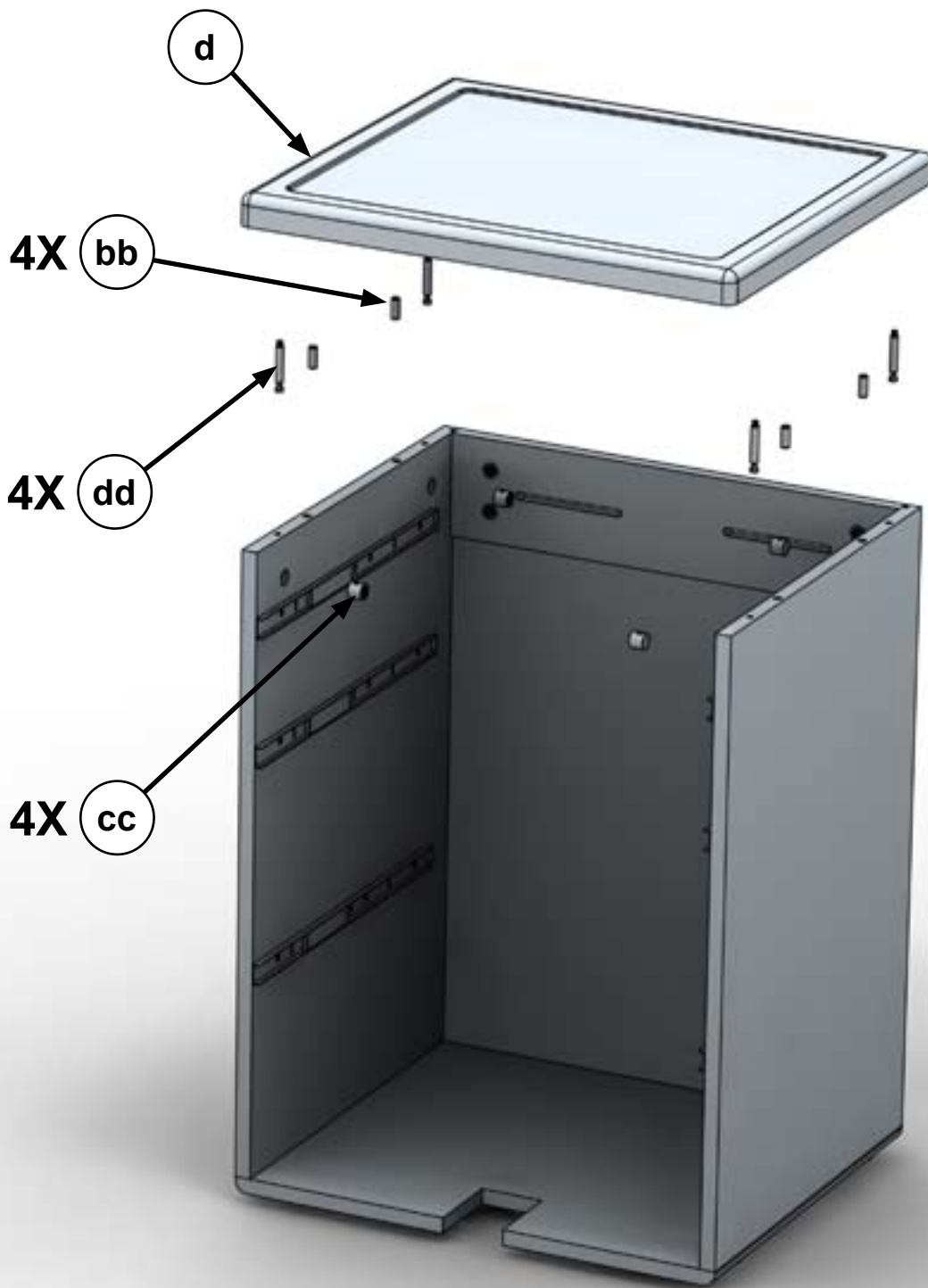
AJOUTEZ DES SUPPORTS D'ANGLES AU DOS DE VOTRE ARMOIRE POUR LA SOLIDIFIER.



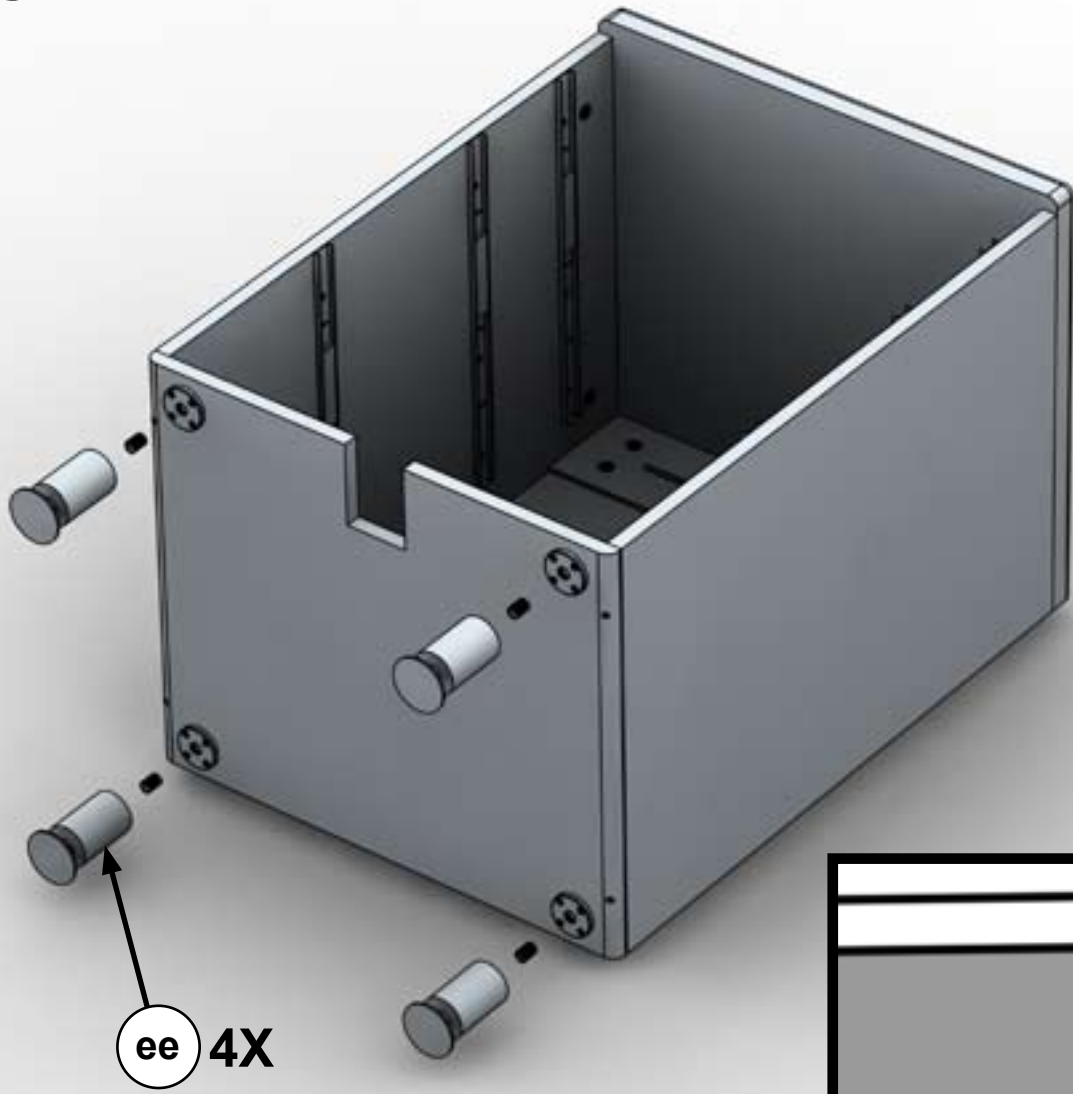


STEP 2

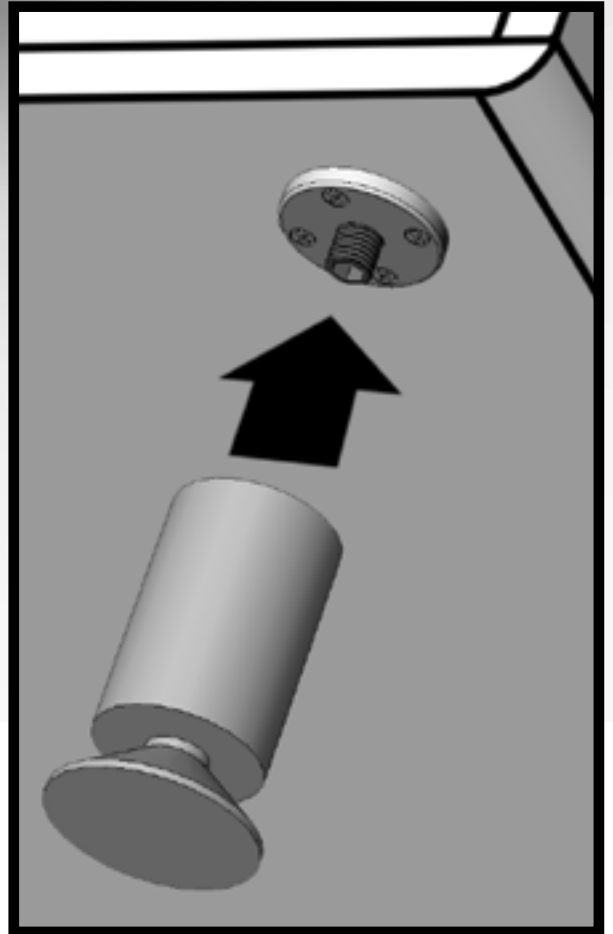
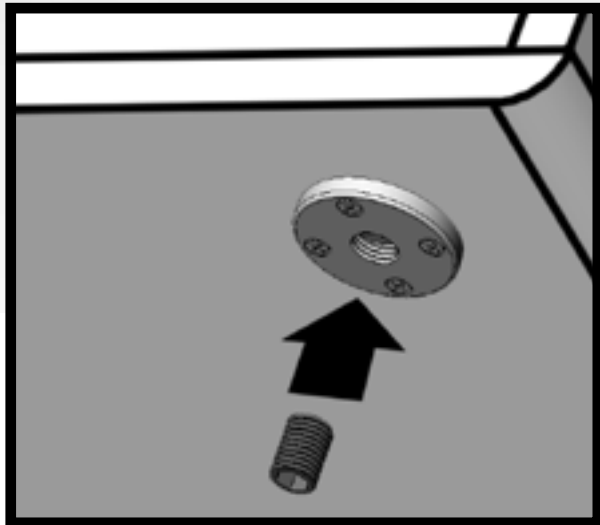




STEP 4

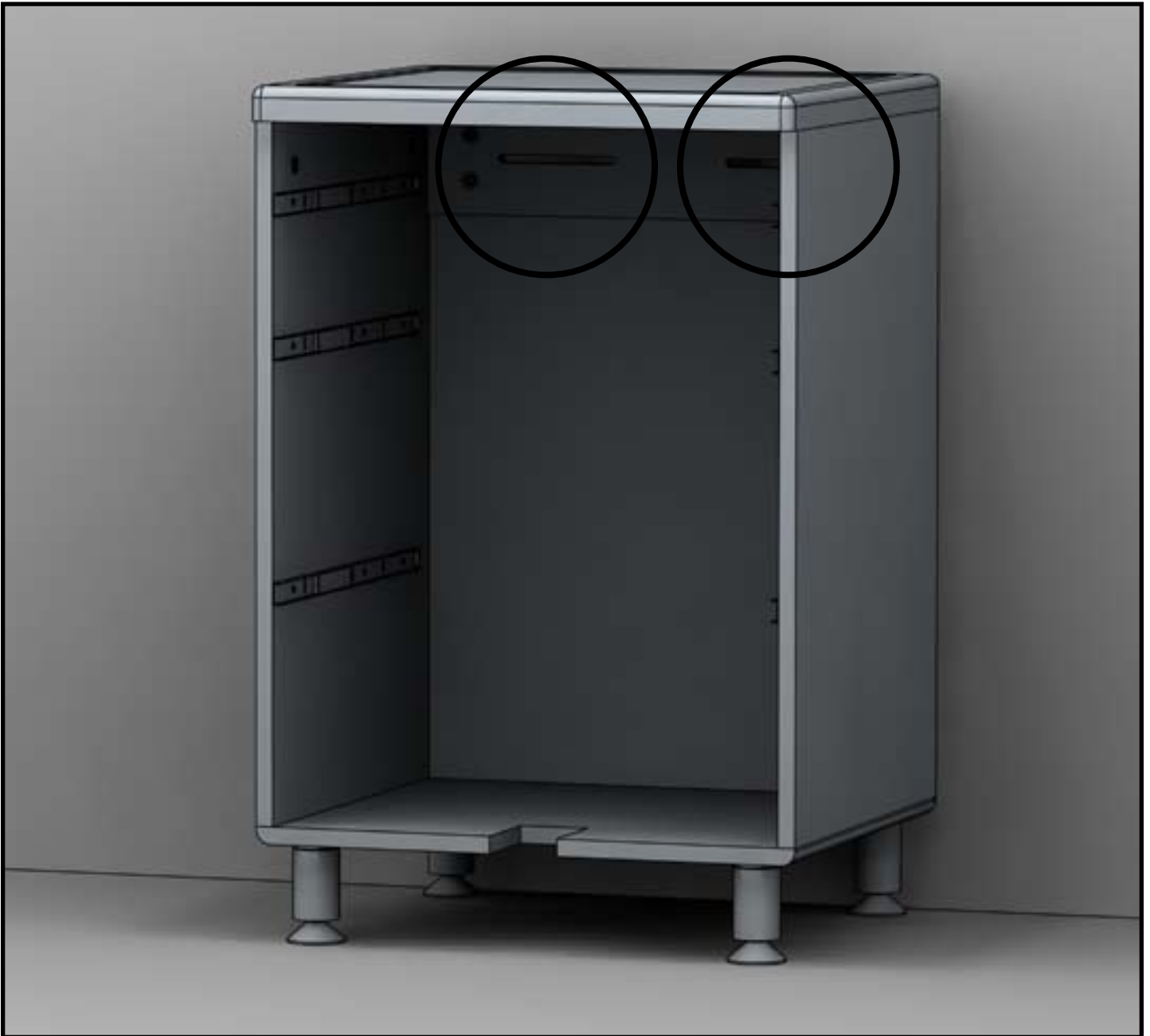


ee 4X

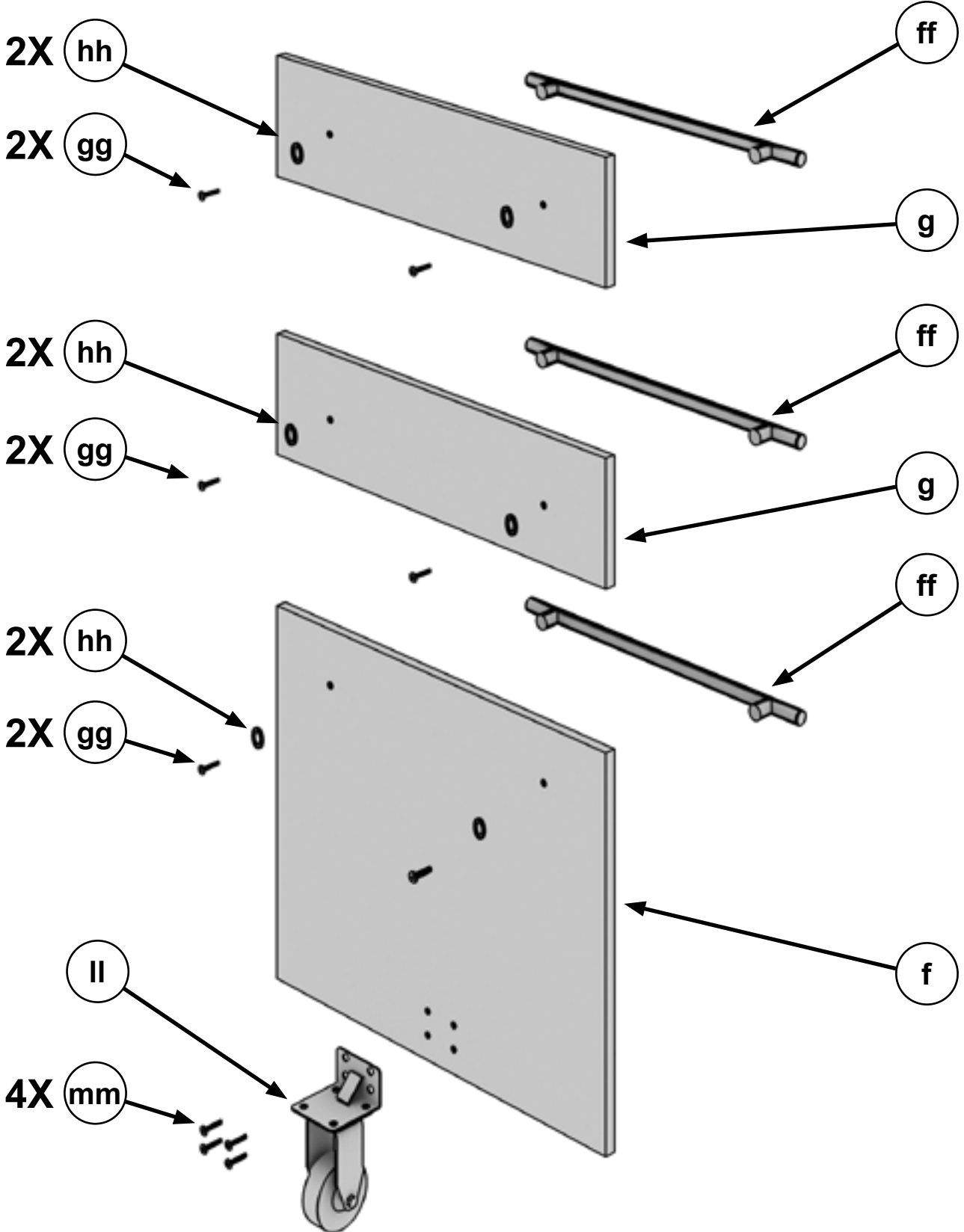


NOTE:

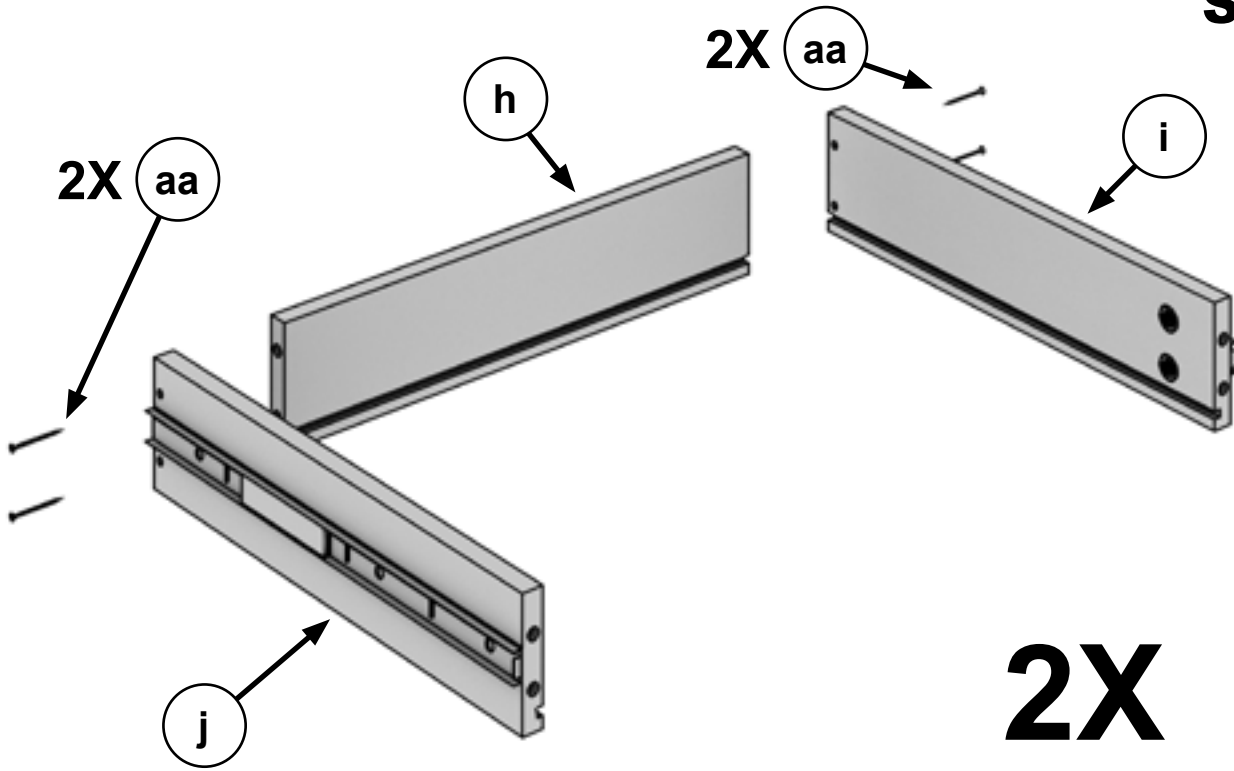
You may want to secure the finished unit onto the wall through the slots in the spanners using wood / drywall screws for added stability. When anchoring to dry wall (with no studs), it is strongly recommended that you limit the weight in the cabinet to under 50 lbs. You may want to test the cabinet strength before loading.



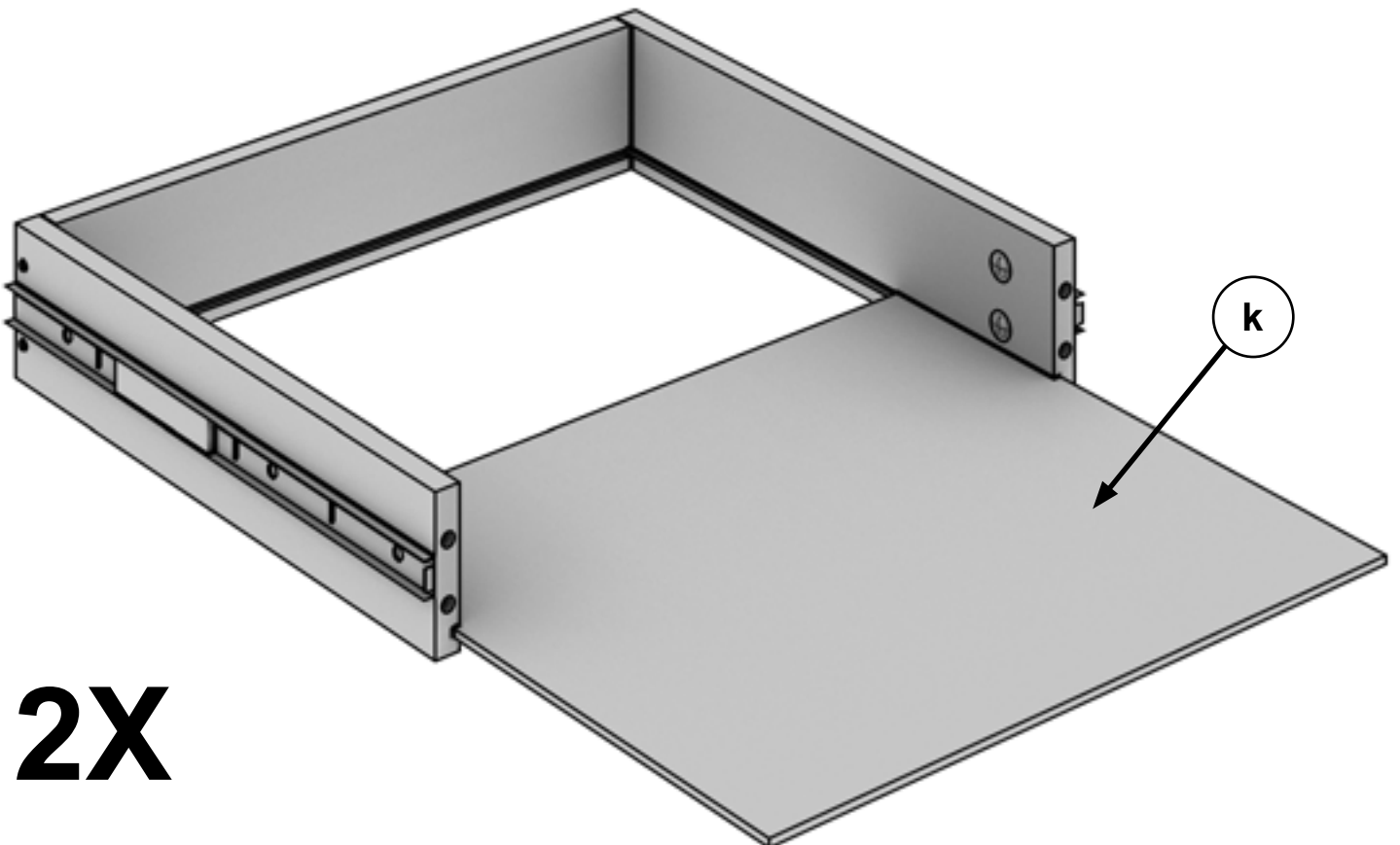
STEP 6



STEP 7

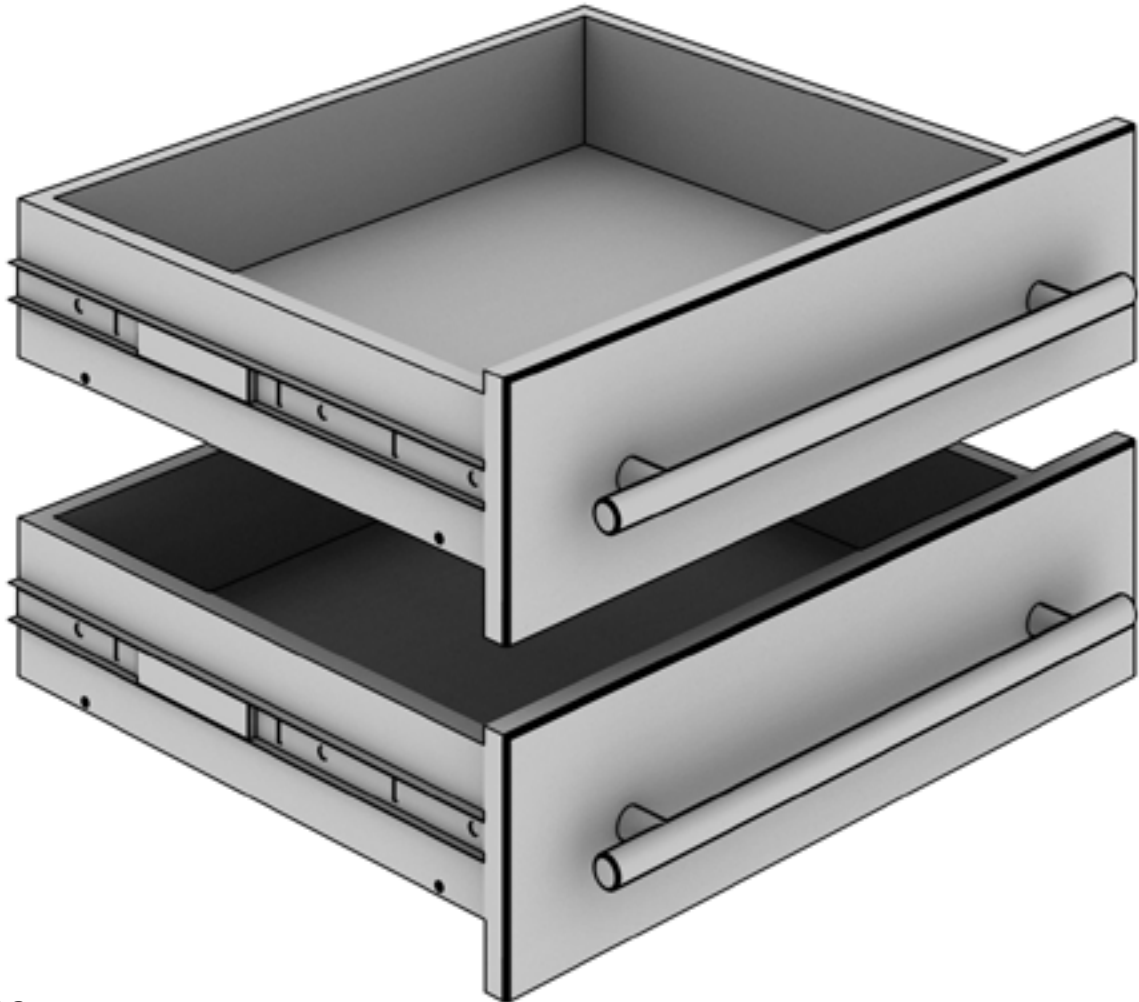
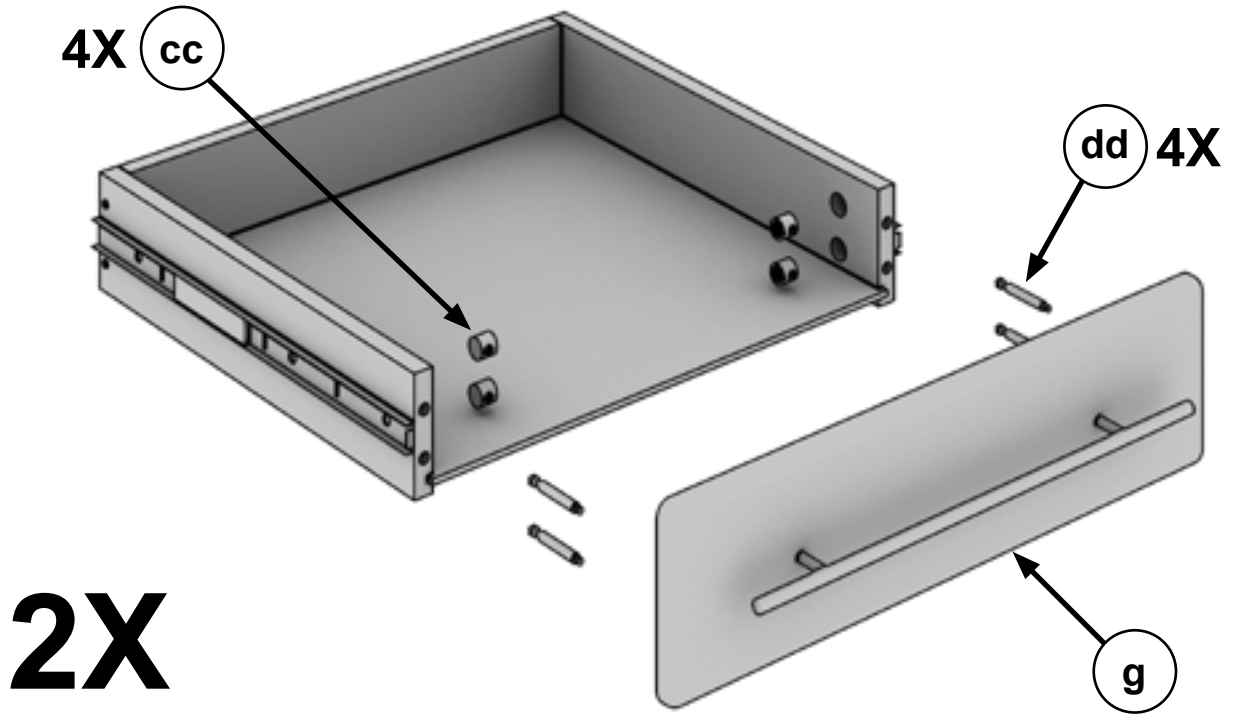


2X

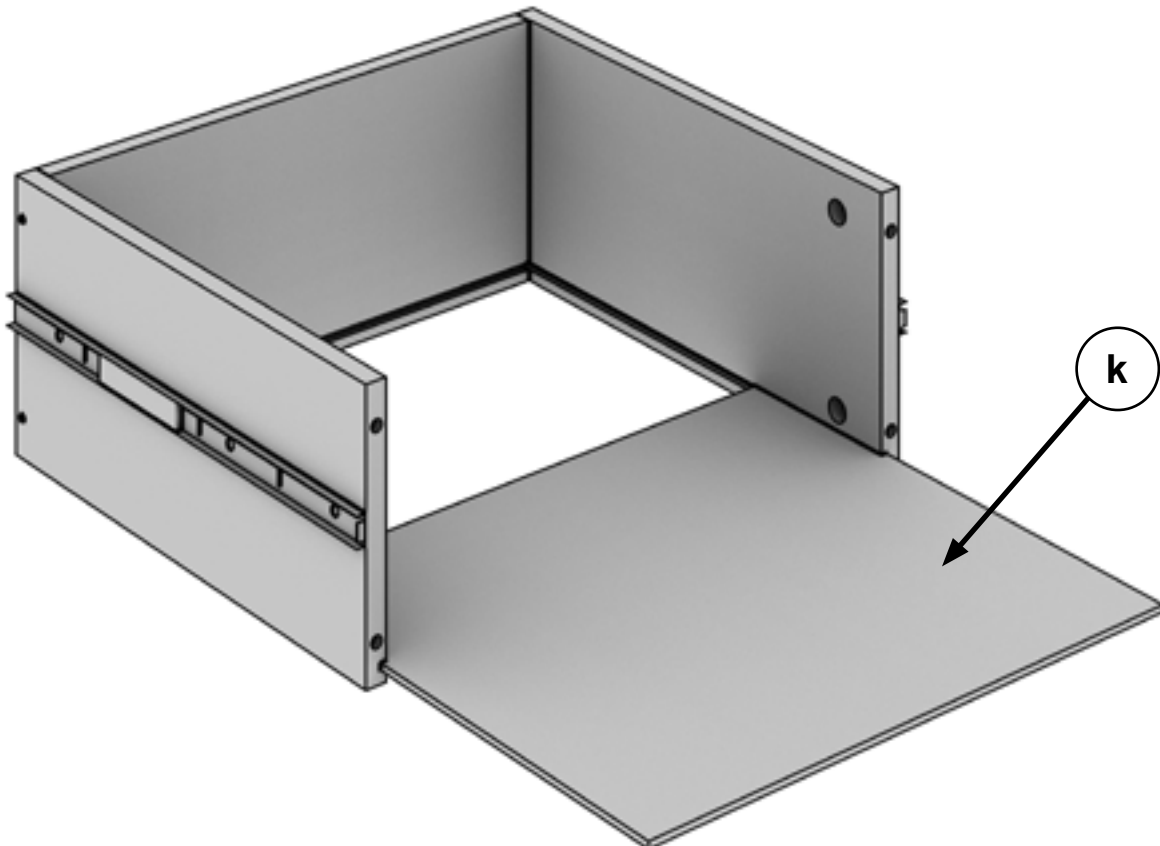
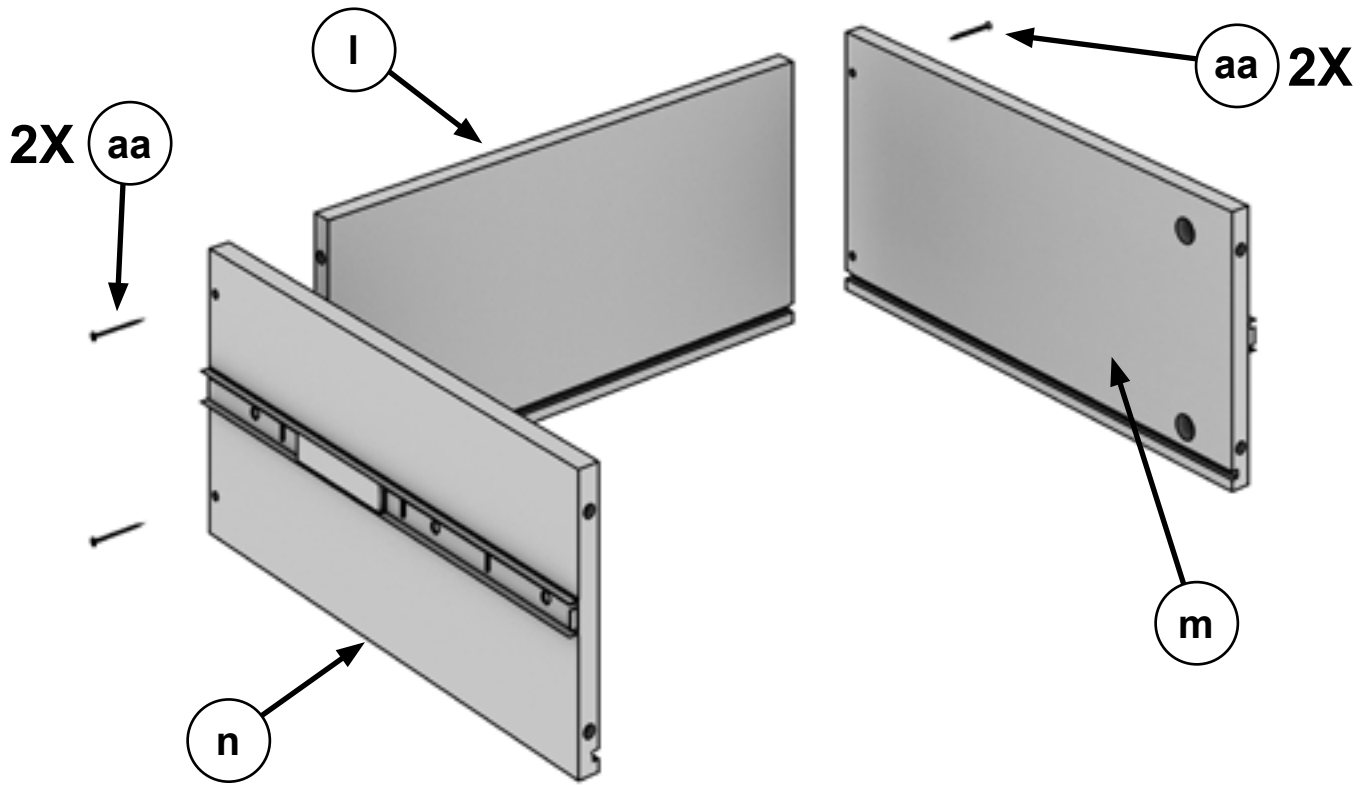


2X

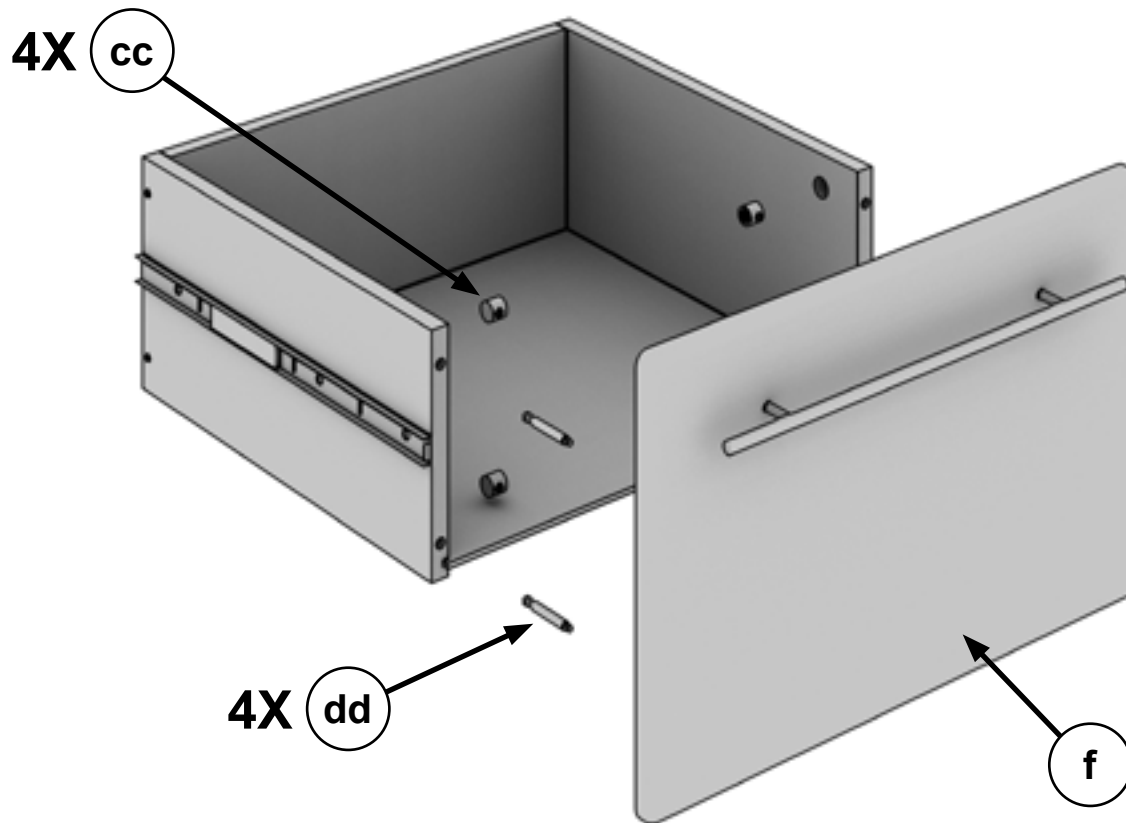
STEP 8



STEP 9



STEP 10



NOTE: Hold drawer at 45° angle and rotate gently into drawer glide.

NOTE : Retenez le tiroir à un angle de 45° et faites-le pivoter délicatement dans la coulisse de tiroir.