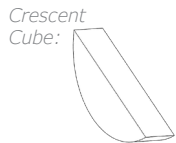




Stainless Solid
(No Flange)



Key Features

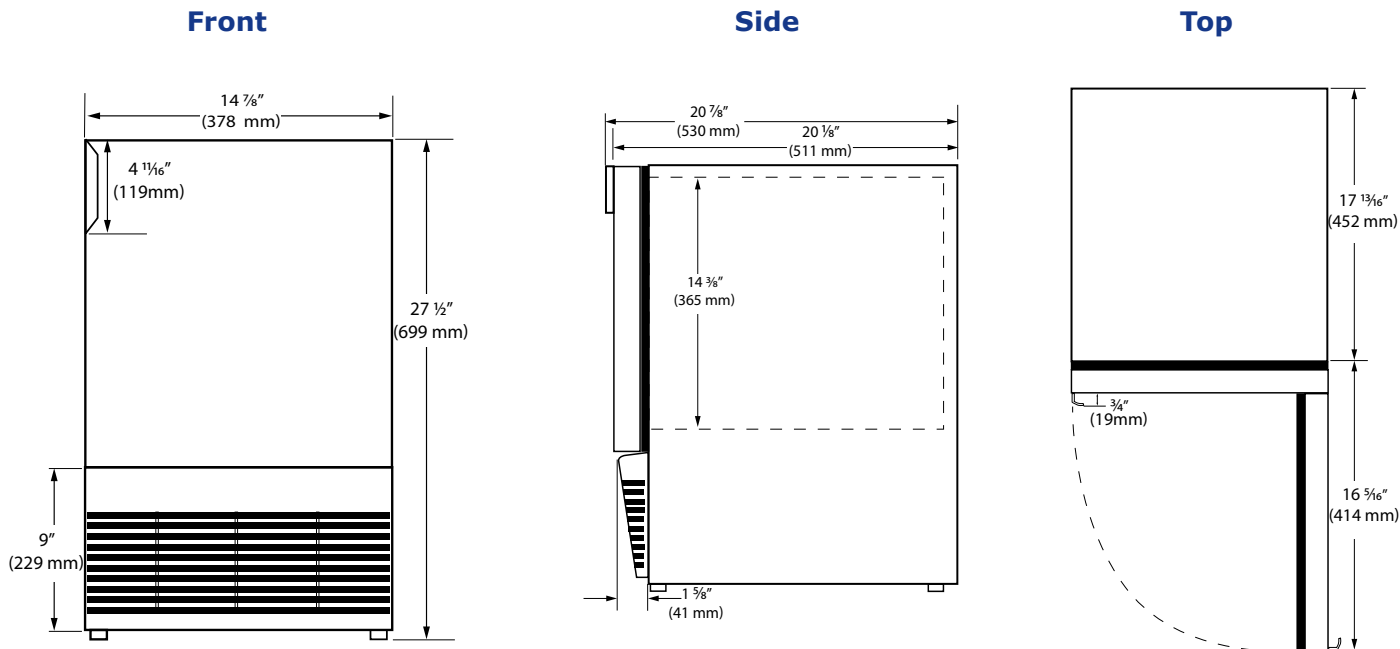
- Makes crescent shaped cubes approx. 1/2" W x 3/4" H x 2 1/4" L
- Produces up to 25 lb of ice per day
- Stores 25 lb of ice
- On / off switch
- White interior
- Stainless steel handle (7/8" diameter)
- Field reversible door is shipped right-hand hinged
- Built-in or freestanding
- No drain required
- 230V model available. See u-line.com for details.

Model Details

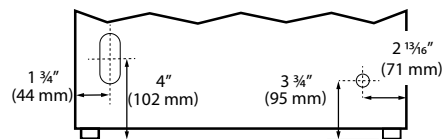
Model	Voltage/Hz	Door Swing	Finish	Shipping Weight
UMCR015-SS01A	115 / 60	Field Reversible	Stainless Solid	73 lb (33 kg)

Accessories

Model	Description	Finish	Shipping Weight
ULAWATERHOOKUP	Braided water supply line kit	N/A	2 lb



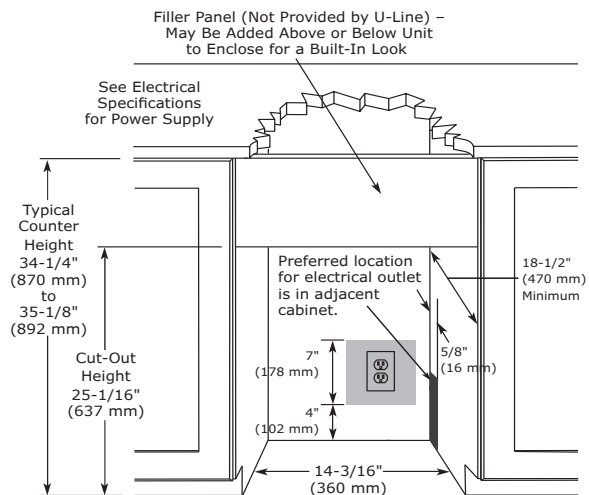
Back



Specifications

Model	MCR015
Amps: Running	2.5 amps
Amps: Max Start Up	18 amps
Control Type	On/Off Switch
Defrost Type	Manual
Dimensions: Product Depth	20 1/8" (511 mm)
Dimensions: Product Height	27 1/2" (699 mm)
Dimensions: Product Width	14 7/8" (378 mm)
ENERGY STAR	N/A
Ice Production Per Day	25 lb (11,3 kg)
Product Weight: Max	68 lb (30,8 kg)
Refrigerant Type	R600A (1.06 oz)

Cabinet Cut-Out



Installation Notes

- No additional clearance is needed for ventilation
- Do not obstruct front grille air flow

Warranty

- 1 Year (parts & labor) / 5 year sealed system (parts)
- + **Additional 1 Year (parts & labor) warranty at no cost with product registration**

See complete warranty for details

