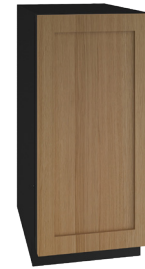


*Door panel and handle not supplied by U-Line.



Integrated Solid

Additional Options

- Accessory panels are designed for easy installation on Integrated models



Stainless Handleless Panel

Key Features

- **Industry Exclusive: U-Choose™ feature allows you to select ice density**
- **Industry Exclusive: Interior water dispenser**
- **Industry Exclusive: Single water filter for ice and water**
- **Industry Leading: Produces up to 90 lb / 40.8 kg of ice per day**
- **Industry Leading: Stores 30 lb / 13.6 kg of ice**
- Makes cylindrical compressed ice bits approximately 3/4" / 19 mm L x 1/2" / 13 mm H
- Eco friendly - most efficient type of specialty ice
- Adjustable bright white or blue LED lighting (on non-BrightShield models)
- Soft close door with articulating hinge
- Black interior
- Digital touch pad control with blue LED display
- Indicator alert notifies user when cleaning is needed
- Easiest nugget ice machine cleaning process in the industry
- Integrated model requires 3/4" custom door panel and handle (not supplied by U-Line)
- Field reversible door is shipped right-hand hinged
- Built-in or freestanding
- Four adjustable leveling legs
- Factory installed drain pump model recommended if a gravity drain is not accessible

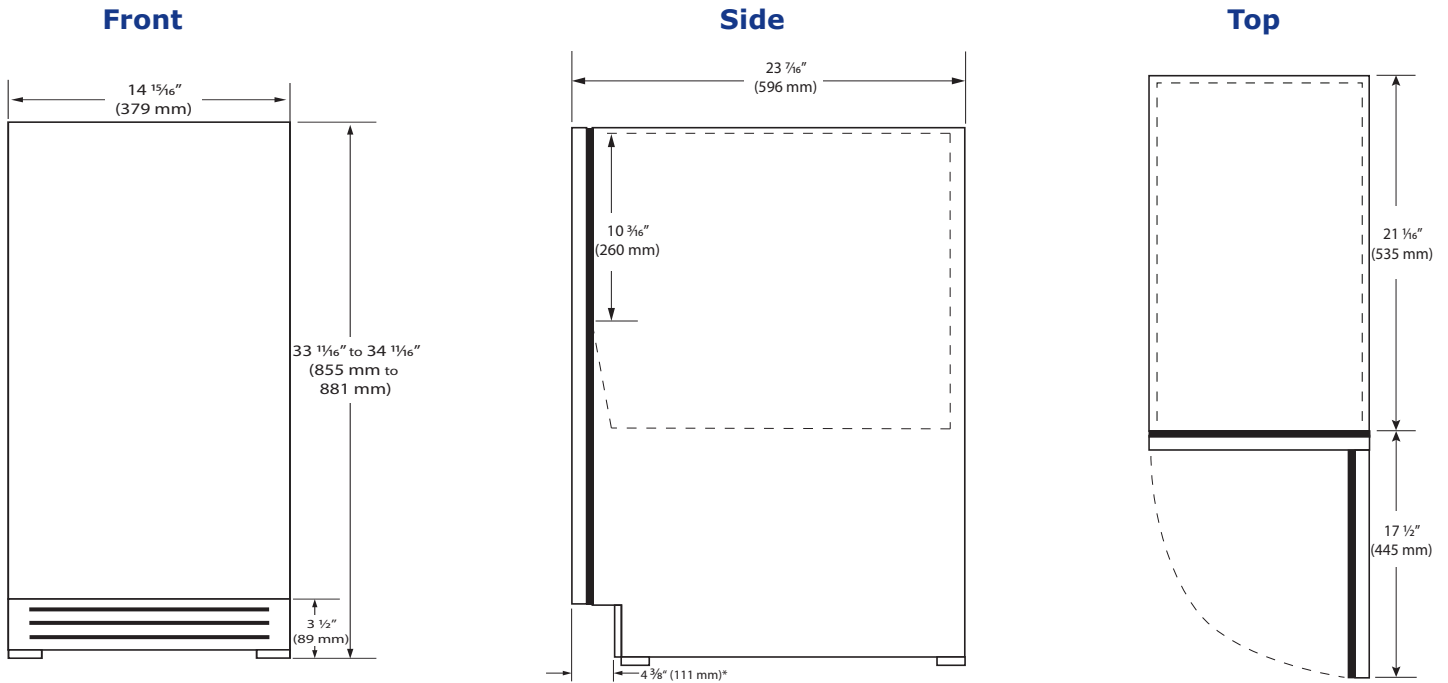
Model Details

Model	Voltage/Hz	Door Swing	Pump	Finish	Shipping Weight
UHNP315-IS02A	230 / 50	Field Reversible	Pump Included	Integrated Solid	107 lb / 48.5 kg

Accessories

Model	Description	Finish	Shipping Weight
ULANUGGETCLEAN	Nugget Ice Cleaner (Single 8 oz. bottle)	N/A	1 lb / .45 kg
ULANUGGETFILTER	Replacement Water Filter (3 Class Nugget Ice)	N/A	2 lb / .9 kg
ULAWATERHOOKUP	Braided Water Supply Line Kit	N/A	2 lb / .9 kg
ULASHP15SOLID*	Stainless Handleless Panel Solid	Stainless	6 lb / 2.7 kg

*Installs on integrated models.



Specifications

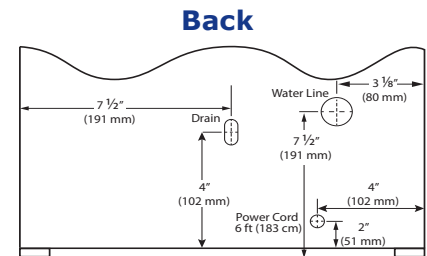
Model	UHNP315-IS02A
Amps: Running	3
Dimensions: Product Depth	23 7/16" / 596 mm
Dimensions: Product Height	33 11/16" / 855 mm
Dimensions: Product Width	14 15/16" / 379 mm
ENERGY STAR	Yes
Ice Production Per Day	90 lb / 40.8 kg
Ice Storage	30 lb / 13.6 kg
Panel Height	30" / 762 mm
Panel Thickness	3/4" / 20 mm
Panel Type	Solid Panel
Panel Width	14 15/16" / 379 mm
Product Weight: Max	112 lb / 55.3 kg
Refrigerant Type:	R600a (1.59 oz)
Sabbath (Star K Certified)	Yes

Water Mineral Content Requirements:

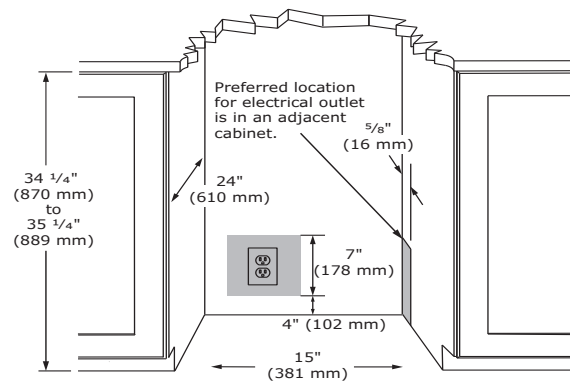
- TDS: Greater than 5 ppm (mg/l) but less than 400 ppm (mg/l)
- Hardness: Less than 200 mg/l (12 gpg)

Not recommended for use with softened water

Visit u-line.com/waterfilters to learn about water quality solutions.



Cabinet Cut-Out



Installation Notes

- 15" cutout width sufficient if door protrudes beyond adjacent cabinetry
- No additional clearance is needed for ventilation
- Do not obstruct front grille air flow



Please visit u-line.com to view this model's User Guide & Service Manual. All Specifications are subject to change without notice.

8900 North 55th Street • Milwaukee, Wisconsin 53223 USA • +1.414.354.0300 • sales@u-line.com • u-line.com