

# 3036RRGL

## 36" Glass Door Refrigerator • Modular 3000 Series

### FEATURES & BENEFITS



STAINLESS  
FRAME



STAINLESS  
FRAME (LOCK)



INTEGRATED  
FRAME (STAINLESS  
HANDLESS  
PANEL)\*



INTEGRATED  
FRAME

#### PERFORMANCE

- Volume of 6.9 cu ft holds up to 158 bottles (12 oz) or 246 cans (12 oz)
- Temperature range: 34°F -70°F
- Convection cooling system rapidly and efficiently takes items to the set temperature
- U-Select® Control offers five distinct modes: Beverage: 34°F - 65°F, Deli: 34°F - 40°F, Market: 34°F - 40°F, Pantry: 34°F - 70°F, Root Cellar: 45°F - 55°F
- U-Select® Control with digital OLED display
- Independently controlled dual-zones

#### INTERIOR/EXTERIOR

- Black interior is illuminated with LED theater lighting that automatically turns off when the door is closed, or can be set to stay on for 3, 6, or 24 hours
- Three adjustable tempered glass shelves with 11 height positions in each compartment
- Full-extension, slide-out crisper drawers are removable for easy cleaning
- LowE coated, argon gas filled triple thermopane glass door provides protection from harmful UV light
- Stainless steel handle (7/8" diameter)
- Door lock model available

#### INTEGRATION

- Robust, concealed and covered hinges with built-in door stop and closer
- Adjustable grille can be shifted front-to-back and up-and-down
- Integrated model requires 3/4" custom panel of your choice, or can accept U-Line Euro Style Handleless Stainless Panel Accessory (must be ordered separately)
- Grille can accept an integrated toe-kick
- Four independently adjustable leveling legs

### MODEL DETAILS

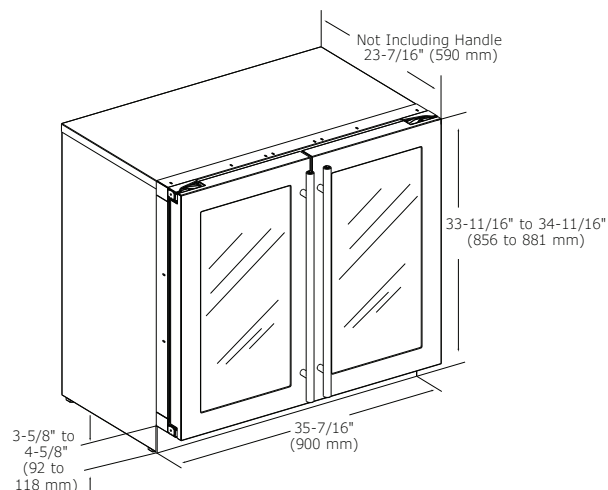
Model	Voltage/Hz	Door Swing	Finish	Shipping Weight
U-3036RRGLS-00B	115 / 60	Double Doors	Stainless Frame	229 lb
U-3036RRGLS-13B	115 / 60	Double Doors	Stainless Frame (Lock)	229 lb
U-3036RRGLINT-00B	115 / 60	Double Doors	Integrated Frame	217 lb

### ACCESSORIES

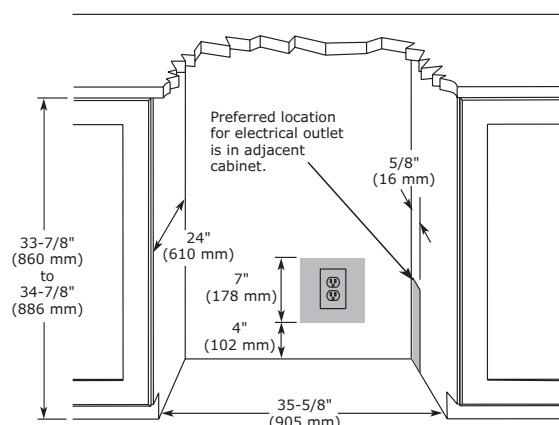
Model	Description	Finish	Shipping Weight
ULASHP18FRAME*	Stainless Handleless Panel Frame (single panel)	Stainless	6 lb

### DIMENSIONS

Dimensions shown apply to all finishes, including Integrated (INT) models with 3/4" integrated panel/frame installed.



### CABINET CUT-OUT



### INSTALLATION NOTES

When installing adjacent to wall, ensure 2 1/2" clearance on hinged side for 90° door opening, allowing ample room for door handle.

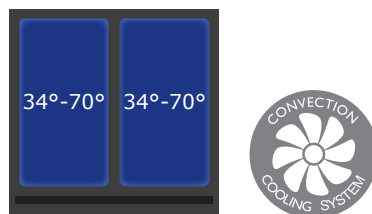
No additional clearance around sides, top or rear of unit is needed for ventilation.

Do not obstruct front grille air flow.

### SPECIFICATIONS

Model	3036RRGL
Amps: Running	1.2
Capacity: Bottle (12 oz)	158
Capacity: Can (12 oz)	246
Capacity: Volume (cu ft)	6.9
Control Type	U-Select®
Dimensions: Product Depth	23 7/16" / 590 mm
Dimensions: Product Height	33 11/16" / 856 mm
Dimensions: Product Width	35 7/16" / 900 mm
Energy Consumption: Avg. Per Year	320 kWh
ENERGY STAR	No
Panel Height	30" / 762 mm
Panel Thickness	3/4" / 20 mm
Panel Type	2 3/4" / 70 mm Frame Panel
Panel Width	17 5/8" / 445 mm
Product Weight: Max	203 lb
Refrigerant Type	R600a
Sabbath (Star K Certified)	Yes
Temperature Range	34°F - 70°F

### COOLING SYSTEM



### ELECTRICAL REQUIREMENTS

This unit requires a grounded, polarized 115 VAC, 60 Hz, 15 A power supply (normal household current).



Warranty

Please visit [u-line.com](http://u-line.com) to view this model's User Guide & Service Manual. All Specifications are subject to change without notice.