

2224BEV • 24" Beverage Center • 2000 Series

FEATURES & BENEFITS



PERFORMANCE	<ul style="list-style-type: none"> • Volume of 4.9 cu ft holds up to 79 bottles (12 oz) or 123 cans (12 oz) and 10 wine bottles (750 ml) • Digital Touch Pad Control is conveniently located on upper face of unit • Temperature range: 34°F - 45°F • Convection cooling system rapidly and efficiently takes items to the set temperature
INTERIOR/EXTERIOR	<ul style="list-style-type: none"> • Black interior is illuminated with LED lighting that automatically turns off when the door is closed, or can be set to stay on for 3 hours • Full extension black vinyl coated wine racks allow for easy access and prevent bottles from shifting • Wine racks accommodate a variety of bottle shapes and sizes • Three adjustable tempered glass shelves with 7 height positions • LowE coated, argon gas filled triple thermopane glass door provides protection from harmful UV light • Standard commercial stainless steel handle is interchangeable with professional handle accessory • The door swing on non-lock models is field reversible, and is shipped right-hand hinged • Lock models must be ordered right-hand or left-hand hinged
INTEGRATION	<ul style="list-style-type: none"> • Solid natural beech wood fronts on wine racks can easily be stained to match surrounding cabinetry • Robust, concealed and covered hinges with built-in door stop and closer • Integrated model requires 3/4" custom panel of your choice, or can accept U-Line Euro Style Handleless Stainless Panel Accessory (must be ordered separately) • Fixed grille can accept a 1/4" custom integrated toe-kick • Four independently adjustable leveling legs provide a precise undercounter fit

MODEL DETAILS

Model	Voltage/Hz	Door Swing	Finish	Shipping Weight
U-2224BEVS-00B	115 / 60	Field Reversible	Stainless Frame	156 lb
U-2224BEVS-13B	115 / 60	Right-Hand Hinged	Stainless Frame (Lock)	156 lb
U-2224BEVS-15B	115 / 60	Left-Hand Hinged	Stainless Frame (Lock)	156 lb
U-2224BEVINT-00B	115 / 60	Field Reversible	Integrated Frame	144 lb
U-2224BEVINT-60B	115 / 60	Field Reversible	Integrated Solid	132 lb

ACCESSORIES

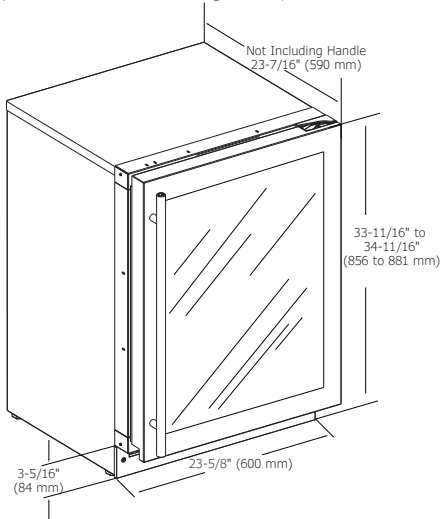
Model	Description	Finish	Shipping Weight
80-54247-00	Professional Door Handle, 1 1/4" Diameter	Stainless	2 lb
80-54214-00	Commercial Door Handle, 7/8" Diameter	Stainless	2 lb
U-ESPF60S*	Euro Style Handleless Panel, 24" Frame	Stainless	8 lb
U-ESP60S*	Euro Style Handleless Panel, 24" Solid	Stainless	12 lb

*Installs on integrated models.

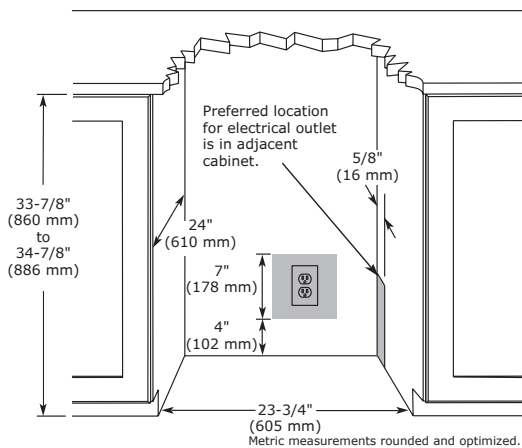
2000 Series • 24" Beverage Center • **2224BEV**

DIMENSIONS

Dimensions shown apply to all finishes, including Integrated (INT) models with 3/4" integrated panel/frame installed.



CABINET CUT-OUT



INSTALLATION NOTES

When installing adjacent to wall, ensure 2 1/2" clearance on hinged side for 90° door opening, allowing ample room for door handle.

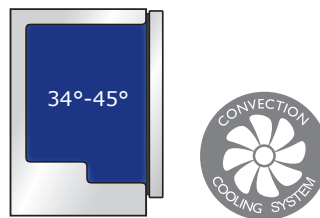
No additional clearance around sides, top or rear of unit is needed for ventilation.

Do not obstruct front grille air flow.

SPECIFICATIONS

Model	2224BEV
Amps: Running	1.2
Capacity: Bottle (12 oz)	79
Capacity: Can (12 oz)	123
Capacity: Volume (cu ft)	4.9
Capacity: Wine Bottle (750 ml)	10
Control Type	Digital Touch Pad
Dimensions: Product Depth	23 7/16" / 590 mm
Dimensions: Product Height	33 11/16" / 856 mm
Dimensions: Product Width	23 5/8" / 600 mm
Energy Consumption: Avg. Per Year	270 kWh
ENERGY STAR	ENERGY STAR / Tier 1
Panel Height	30" / 762 mm
Panel Thickness	3/4" / 20 mm
Panel Type	2 3/4" / 70 mm Frame Panel or Solid Panel -60 Suffix
Panel Width	23 1/2" / 595 mm
Product Weight: Max	135 lb
Refrigerant Type	R600a
Sabbath (Star K Certified)	Yes
Temperature Range	34°F - 45°F

COOLING SYSTEM



ELECTRICAL REQUIREMENTS

This unit requires a grounded, polarized 115 VAC, 60 Hz, 15 A power supply (normal household current).



Residential

Please visit U-Line.com to view this model's User Guide. All specifications are subject to change without notice.