

True[®] REFRIGERATION WINE CABINET

24 Inch Dual-Zone Wine Cabinet

True's dual-zone wine storage system has been designed to preserve your favorite vintage. Two independent zones allow for complete flexibility with a temperature range from 40°F (4.4°C) to 65°F (18.3°C). Equipped with vibration-dampening racks that cradle up to 45 bottles ensures the ideal environment for your collection. Patented TruLumina[®] LED lighting gently illuminates your wine and allows you to choose from 14 different color options. Discover the most versatile wine storage system.

24 Inch Dual-Zone Wine Cabinet
(Right-Hinged Shown)



Stainless Glass

TWC-24DZ-R/L-SG-B



Overlay Glass

TWC-24DZ-R/L-OG-B



Overlay Panel

TWC-24DZ-R/L-OP-B

EXCEPTIONAL FEATURES

Industry exclusive, 300-series stainless steel interior and exterior.

Zero-clearance hinging allows for integrated installation.

Patented TruLumina[®] LED lighting gently illuminates your product and allows you to choose from 14 different color options with the push of a button.

Low-E, double pane, UV tinted glass.

True Precision Control[®] with steel touch technology and readout provides digital accuracy.

5 glide out wine racks and 1 floor cradle accommodate a total of 45 bottles.

2 independent zones that can be adjusted from 40°F (4.4°C) to 65°F (18.3°C).

Star-K compliant.

Ability to connect to a home security system.

Standard with lock.

UL rated for outdoor use.

NOTE: Overlay models have 300-series stainless steel interiors and black vinyl coated steel exteriors.

OPTIONAL FINISHES

FINISH	MODEL
DUAL-ZONE WINE CABINET	
Stainless glass door right-hinged	TWC-24DZ-R-SG-B
Stainless glass door left-hinged	TWC-24DZ-L-SG-B
Overlay solid right-hinged	TWC-24DZ-R-OP-B
Overlay solid left-hinged	TWC-24DZ-L-OP-B
Overlay glass right-hinged	TWC-24DZ-R-OG-B
Overlay glass left-hinged	TWC-24DZ-L-OG-B

ELECTRICAL SPECIFICATIONS

Voltage: 115/60/1

Amps: 1.9

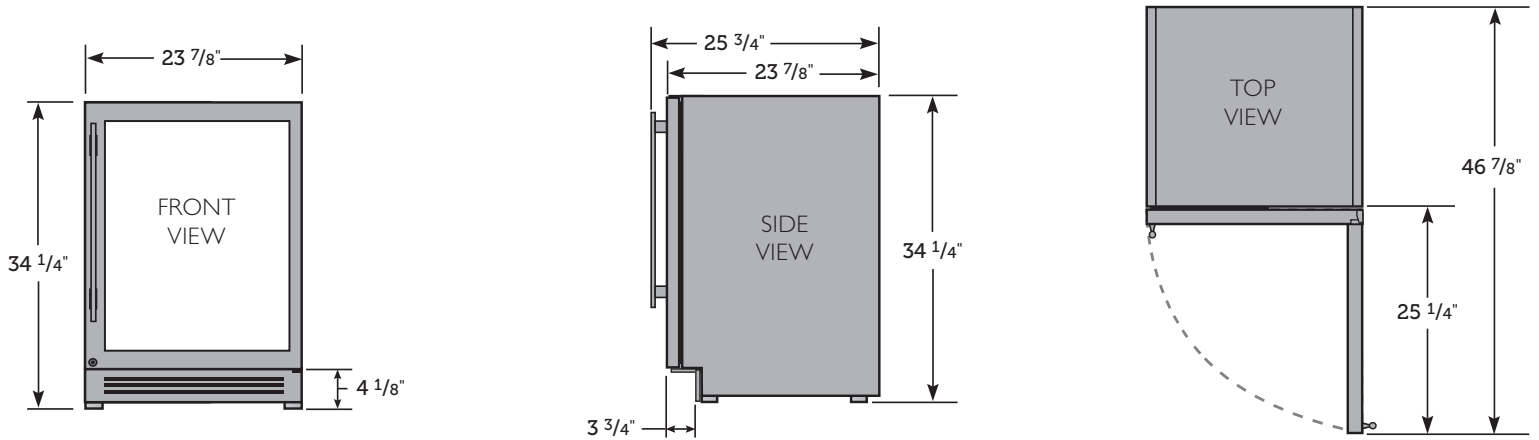
Power Cord Length: 8'

Annual kWh Consumption: TBD



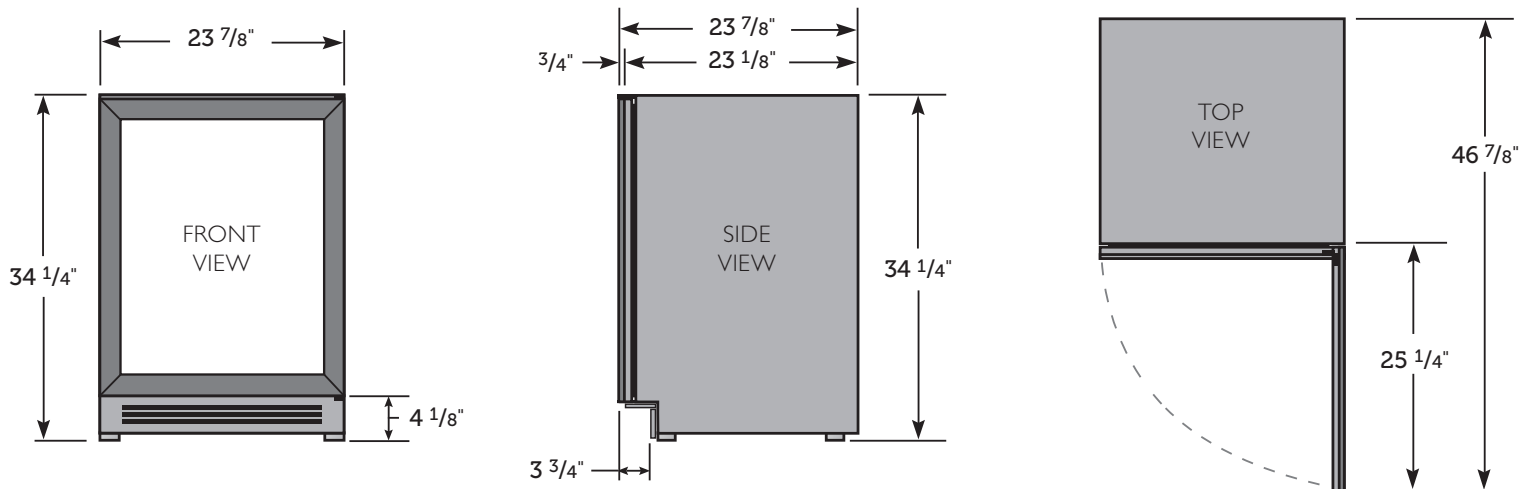
PLAN VIEWS

DUAL-ZONE WINE CABINET STAINLESS FINISH:



Dimensions may vary by $\pm 1/8''$

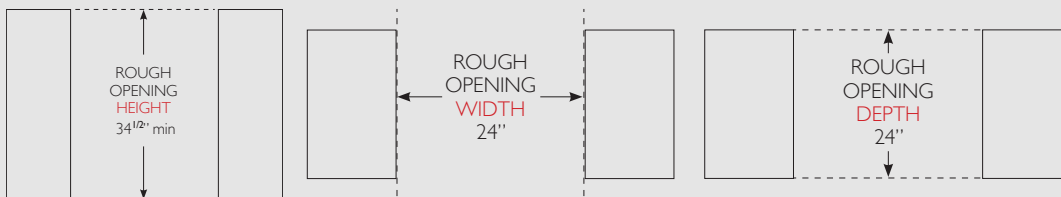
DUAL-ZONE WINE CABINET OVERLAY FINISH: Shown with 3/4" Panel



Dimensions may vary by $\pm 1/8''$

OPENING DIMENSIONS

Width	Depth†	Height
24"	24"	34½"



SPECIFICATIONS

Width	23 7/8"
Depth†	23 7/8"
Height	34 1/4"
Wine Storage	5 glide-out wine racks - 40 bottles 1 floor wine cradle - 5 bottles
Opening Width	24"
Opening Depth	24"
Opening Height	34 1/2"
Crated Weight	245

†Depth does not include 1 7/8" for door handle.