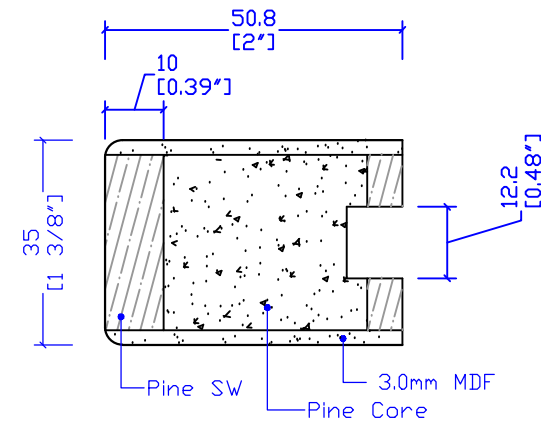
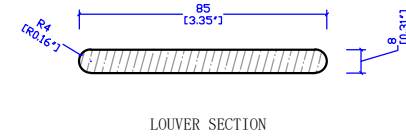
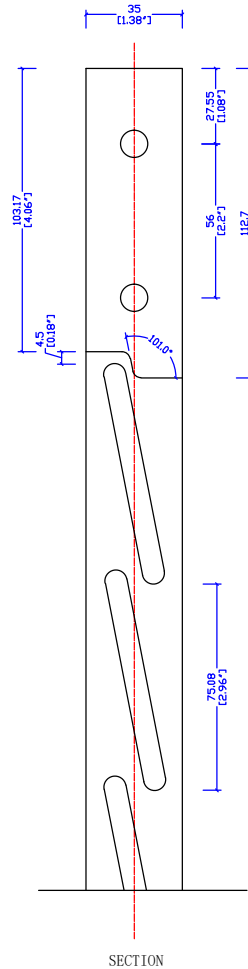
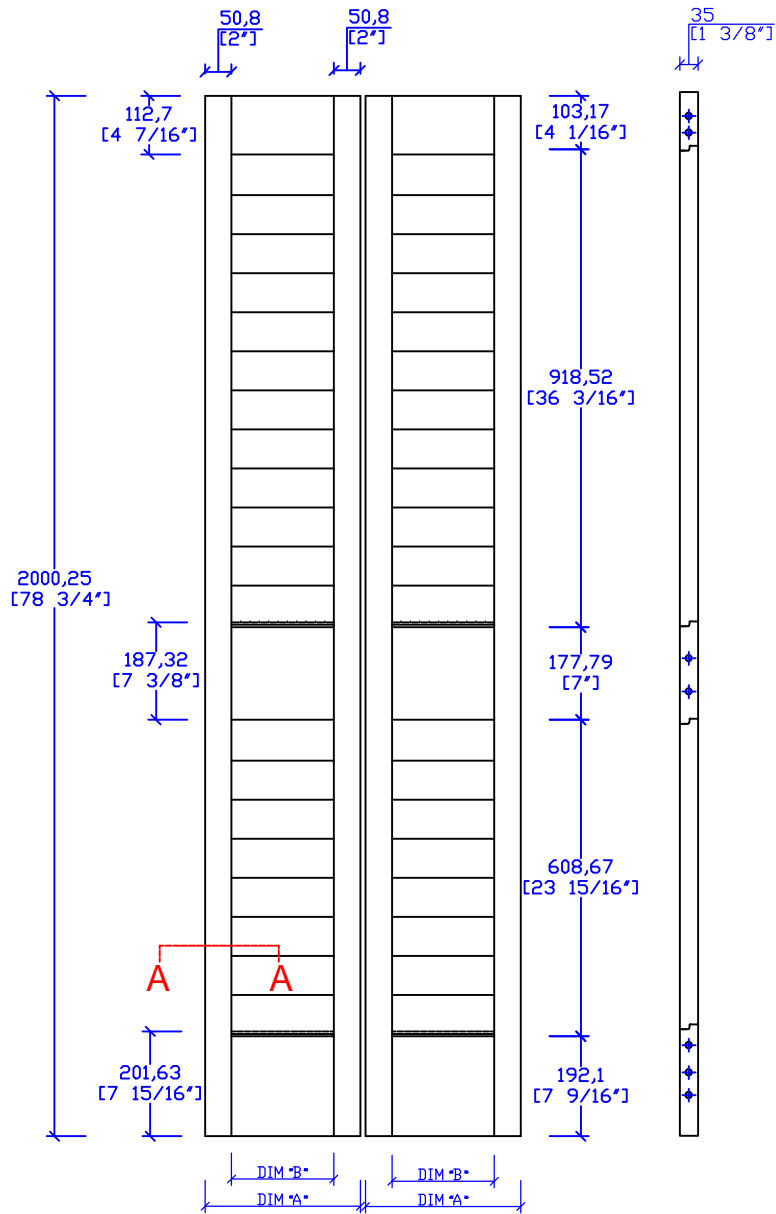


**PANEL CONTROL DIMENSIONS**

DIM "A"	DIM "B"	Louver		
298.45 (2-0")	196.9 (7.75")	207 (8.125")	85 (3.35")	8 (0.31")
374.65 (2-6")	273.1 (10.75")	283 (11.125")	85 (3.35")	8 (0.31")
450.85 (3-0")	349.3 (13.75")	359 (14.125")	85 (3.35")	8 (0.31")



SECTION A-A

THIS DRAWING AND THE INFORMATION CONTAINED HEREIN IS PROPRIETARY TO TRIMLITE COMPANY AND SHALL NOT BE REPRODUCED, COPIED OR DISCLOSED IN WHOLE OR PART, OR USED FOR MANUFACTURE OR FOR ANY OTHER PURPOSE WITHOUT THE WRITTEN PERMISSION OF TRIMLITE COMPANY.				TITLE <b>#8730PLL Bifold</b> 1-3/8"x6-63/4" Pri					
				DRAWING NO. <b>T-8730-78.75</b>					
Rev. #	Description	Date	by Whom	LAYOUT	1/1	SCALE	NTS	DIMENSIONS ARE IN	mm/[in "]
A		2022.02.17	wang	DRAWN BY:				DATE	