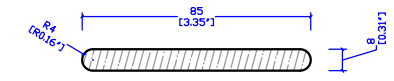
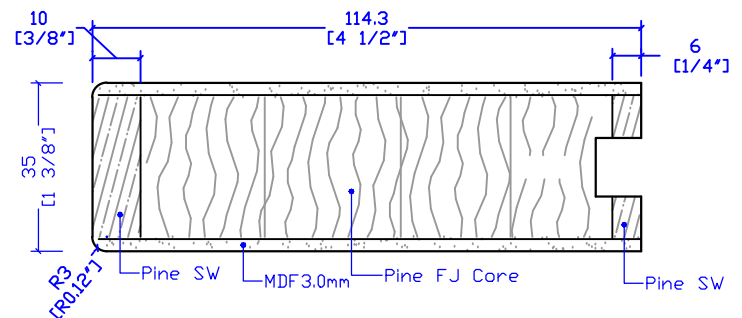


PANEL CONTROL DIMENSIONS				
DIM "A"	DIM "B"	Louver		
457 (1-6")	228.4 (9")	238 (9.37")	85 (3.35")	8 (0.31")
610 (2-0")	381.4 (15")	391 (15.37")	85 (3.35")	8 (0.31")
660 (2-2")	431.4 (17")	441 (17.37")	85 (3.35")	8 (0.31")
711 (2-4")	482.4 (19")	492 (19.37")	85 (3.35")	8 (0.31")
762 (2-6")	533.4 (21")	543 (21.37")	85 (3.35")	8 (0.31")
813 (2-8")	584.4 (23")	594 (23.37")	85 (3.35")	8 (0.31")
864 (2-10")	635.4 (25")	645 (25.37")	85 (3.35")	8 (0.31")
914 (3-0")	685.4 (27")	695 (27.37")	85 (3.35")	8 (0.31")



LOUVER SECTION



SECTION A-A

THIS DRAWING AND THE INFORMATION CONTAINED HEREIN IS PROPRIETARY TO TRIMLITE COMPANY AND SHALL NOT BE REPRODUCED, COPIED OR DISCLOSED IN WHOLE OR PART, OR USED FOR MANUFACTURE OR FOR ANY OTHER PURPOSE WITHOUT THE WRITTEN PERMISSION OF TRIMLITE COMPANY.				TITLE #8730PLL		
				1-3/8"x6-8" Pri		
				DRAWING NO. T-8730-80		
Rev. #	Description	Date	by Whom	LAYOUT	SCALE	DIMENSIONS
A		2022.2.17	Wang	1/1	NTS	mm/[in]
				DRAWN BY:		DATE

