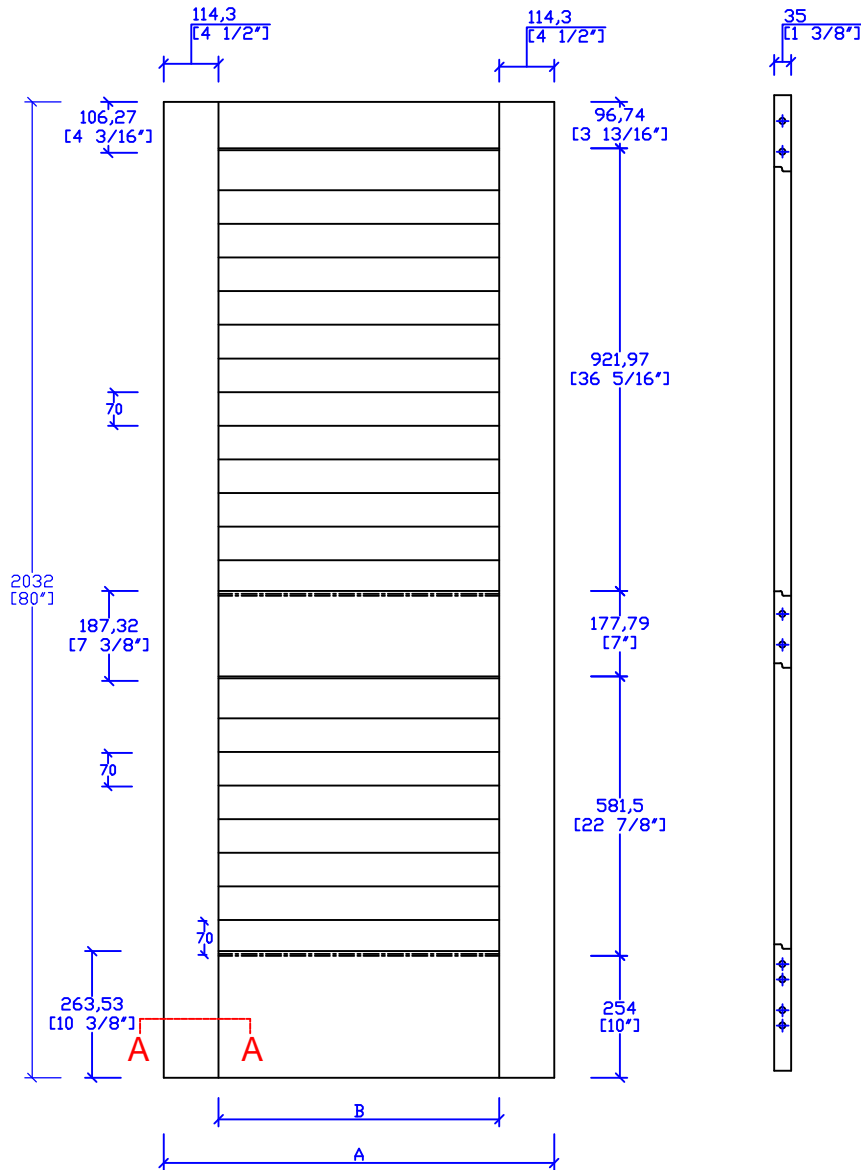
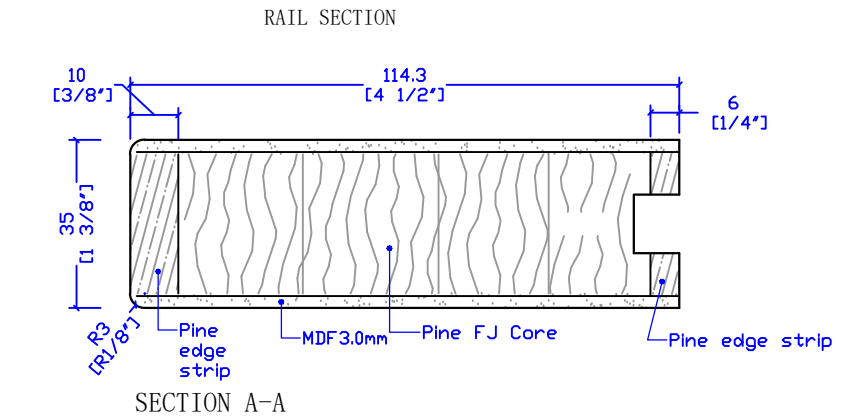
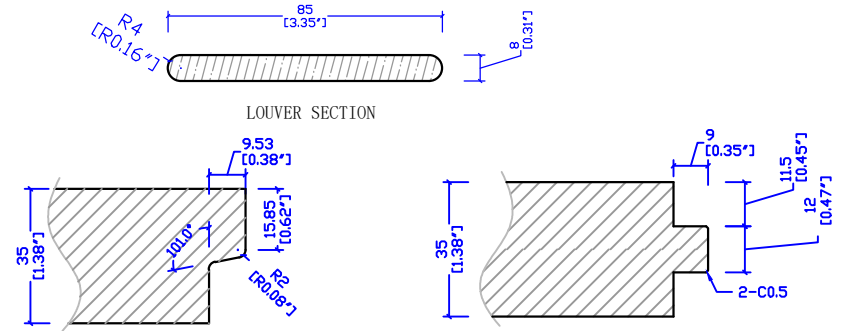
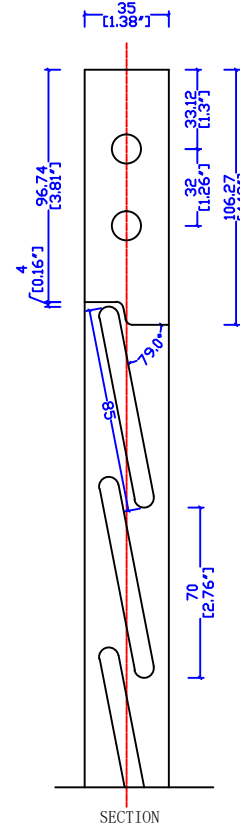


PANEL CONTROL DIMENSIONS

DIM "A"	DIM "B"	Louver
559 (1-10")	330.4 (12")	346*85*8
610 (2-0")	381.4 (15")	397*85*8
711 (2-4")	482.4 (17")	499*85*8
762 (2-6")	533.4 (21")	549*85*8
813 (2-8")	584.4 (23")	600*85*8
864 (2-10")	635.4 (25")	651*85*8
914 (3-0")	685.4 (27")	701*85*8



21 pcs Louver



THIS DRAWING AND THE INFORMATION CONTAINED HEREIN IS PROPRIETARY TO TRIMLITE COMPANY AND SHALL NOT BE REPRODUCED, COPIED OR DISCLOSED IN WHOLE OR PART, OR USED FOR MANUFACTURE OR FOR ANY OTHER PURPOSE WITHOUT THE WRITTEN PERMISSION OF TRIMLITE COMPANY.				TITLE #8730PLLBR10 1-3/8"x6-8" Pri		
				DRAWING NO. T-8730BR10-80		
Rev. #	Description	Date	by Whom	LAYOUT	SCALE	DIMENSIONS ARE IN
A		2024.3.28	Wang	1/1	NTS	mm/[in "]
				DRAWN BY:		DATE