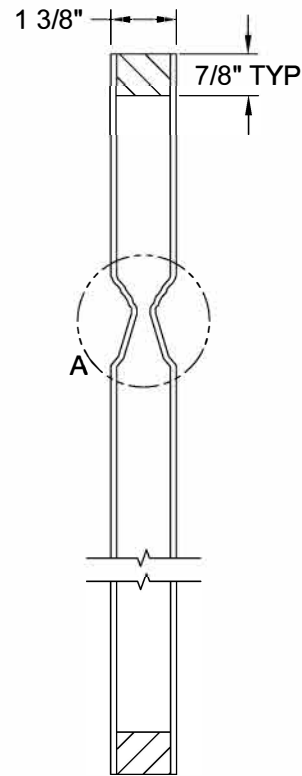
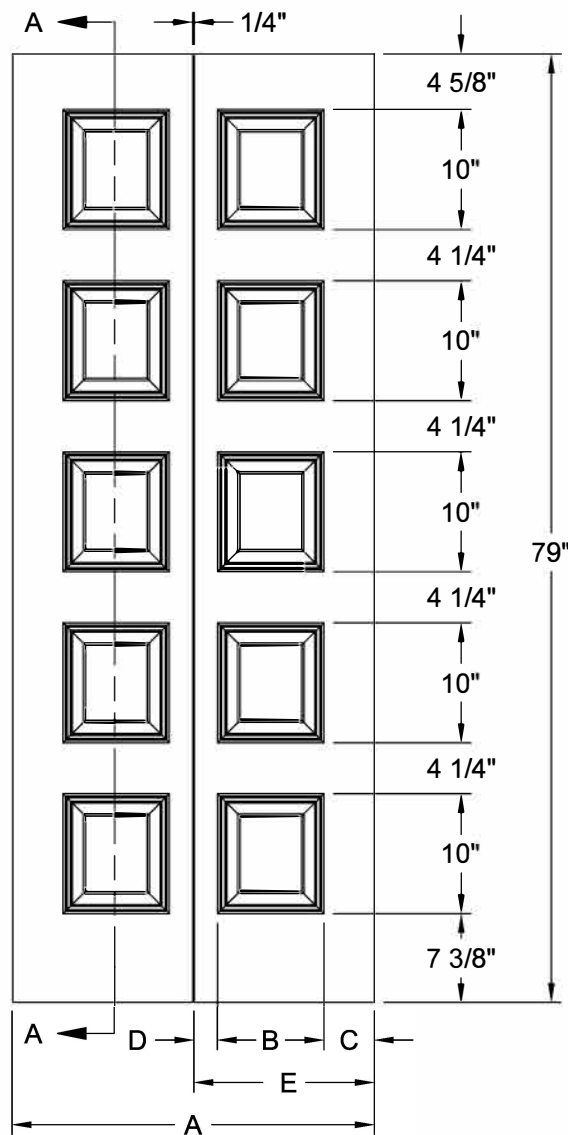
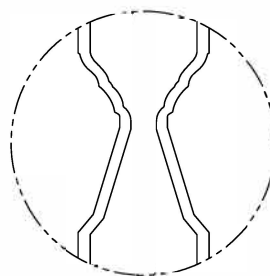


ROCKPORT™ BIFOLD SMOOTH 6'-8"



Section A-A



Detail A
Modified Cove &
Bead Sticking

Dimension Table					
Door Size	A	B	C	D	E
3'-0" x 6'-8"	36"	11 7/8"	4 3/16"	1 15/16"	17 7/8"
2'-8" x 6'-8"	32"	8 7/8"	5 3/16"	1 15/16"	15 7/8"
2'-6" x 6'-8"	30"	8 7/8"	4 3/16"	1 15/16"	17 7/8"
2'-4" x 6'-8"	28"	5 7/8"	5 3/16"	2 15/16"	13 7/8"
2'-0" x 6'-8"	24"	5 7/8"	4 3/16"	1 15/16"	11 7/8"