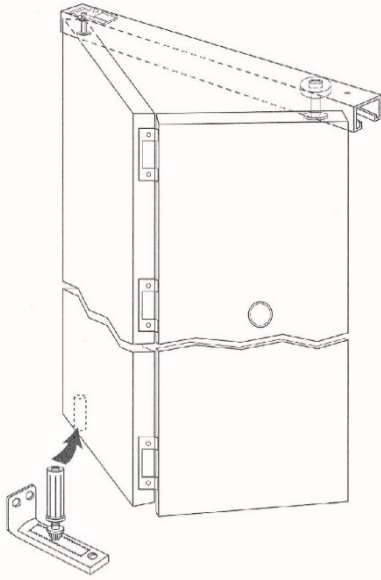


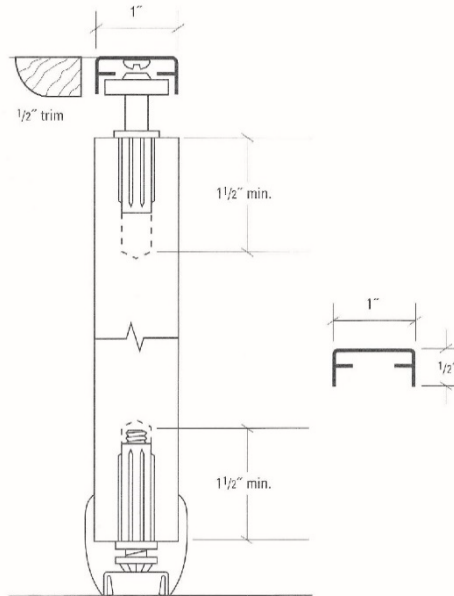
# Light Duty Bifold Installation Instructions

## 30 lb. Panel Bifold

Reference to Stanley 2400/2900 Series; Johnson 1800 Series  
For installation of 2 or 4, 7/8" to 1-3/8" thick panels weighing up to 30 lbs. each.



## 30 lb. Bifold Installation Detail



**Track # 17034-BW or AB**  
**(BW) Bright White finish**  
**(AB) Architectural Brown finish**

### Finished Opening/Panel Dimensions

#### To determine panel width:

- Panel width = known finished opening width divided by number of panels, less 1/4"

#### To determine opening width:

- Opening width = known finished panel width plus 1/4," multiplied by number of panels

#### Door Height:

= 1-3/4" less than finished opening height

#### Features

- Spring loaded top pivot and roller guide for easy installation
- Permanently lubricated roller guide
- Durable pre-painted track
- All metal components galvanized against corrosion

#### ANSI Reference

- Conforms to ANSI A156.14 type 08622

## 30 lb. Complete Packaged Track & Hardware; 7/16" Bore, 2900 Series

Set includes track, hardware and track joiner used for doubling up of 24", 30" and 36" bifold doors.

## 30 lb. Package Set Components

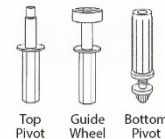
### Top Guide Pivot/guide wheel – 7/16" Dia. Body (2900 Series)

Item

Top Pivot

Guide Wheel

Bottom Pivot



Jamb Bracket

Slide Guide

2 Dr. Snugger

4 Dr. Snugger

White Plastic Pull

Track Joiner

