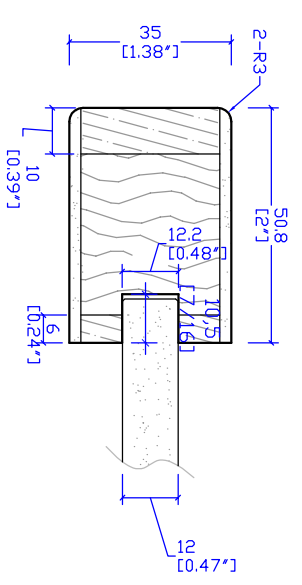
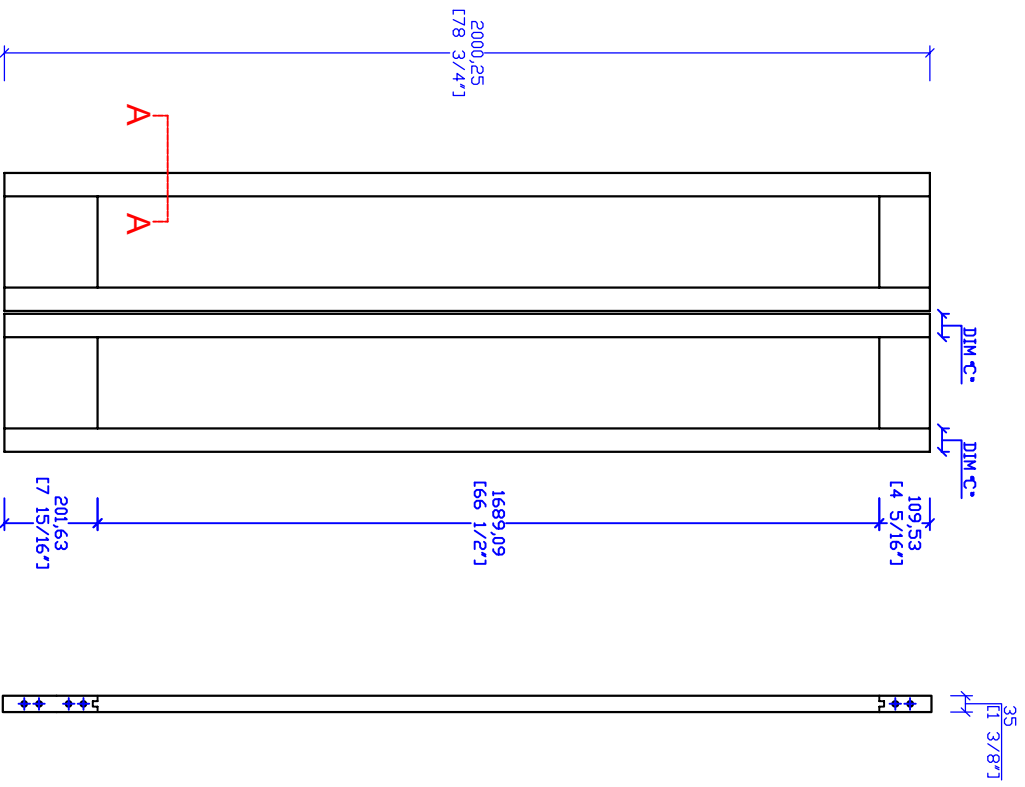


PANEL CONTROL DIMENSIONS									
DOOR	RAIL		STILE		PANEL				
mm	in	mm	in	mm	in	mm	in	mm	in
298.45	11 3/4"	196.9	7 3/4"	50.80	2"	214	8 7/16"	1706	67 3/16"
374.65	14 3/4"	273.1	10 3/4"	50.80	2"	290	11 7/16"	1706	67 3/16"
450.85	17 3/4"	349.3	13 3/4"	50.80	2"	366	14 7/16"	1706	67 3/16"



(84Bifold) SECTION A-A

- 610 BIFOLD=2 PANELS @ 298.45
- 762 BIFOLD=2 PANELS @ 374.65
- 914 BIFOLD=2 PANELS @ 450.85

THIS DRAWING AND THE INFORMATION CONTAINED HEREIN IS PROPRIETARY TO TRIMLITE COMPANY AND SHALL NOT BE REPRODUCED, COPIED OR DISCLOSED IN WHOLE OR PART, OR USED FOR MANUFACTURE OR FOR ANY OTHER PURPOSE WITHOUT THE WRITTEN PERMISSION OF TRIMLITE COMPANY.

TITLE: **#8401Bifold**

DRAWING NO: **1-3/8"x6-63/4"Pr im**

SCALE: **NTS**

Rev. #	Description	Date	by Whom	LAYOUT	SCALE	DIMENSIONS
A		2016.12.16		1/1	NTS	mm/[in"]

TRIMLITE