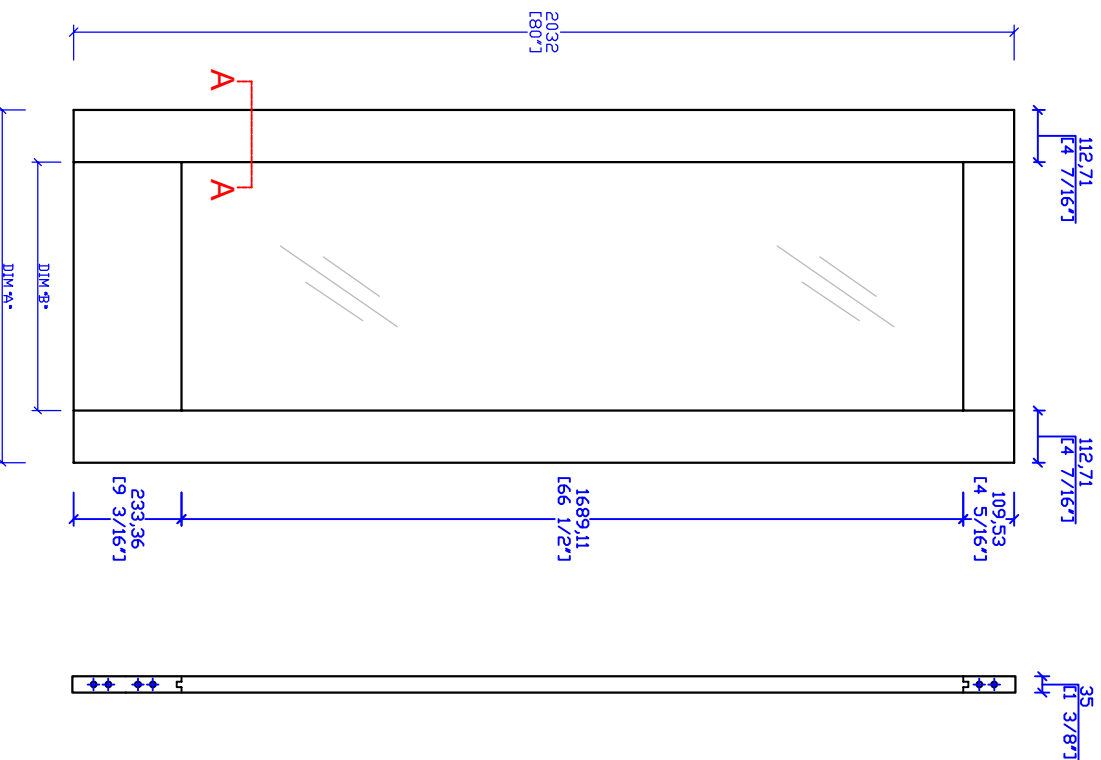


PANEL CONTROL DIMENSIONS		
DIM "A"	DIM "B"	PANEL SIZE
406 (1-4")	180.58 (7.11")	198x1706 (7.795"x67.165")
457 (1-6")	231.58 (9.12")	249x1706 (9.803"x67.165")
508 (1-8")	282.58 (11.13")	300x1706 (11.811"x67.165")
559 (1-10")	333.58 (13.13")	350x1706 (13.78"x67.165")
610 (2-0")	384.58 (15.14")	402x1706 (15.827"x67.165")
660 (2-2")	434.58 (17.11")	452x1706 (17.795"x67.165")
711 (2-4")	485.58 (19.12")	503x1706 (19.803"x67.165")
762 (2-6")	536.58 (21.13")	554x1706 (21.811"x67.165")
813 (2-8")	587.58 (23.13")	605x1706 (23.819"x67.165")
864 (2-10")	638.58 (25.14")	655x1706 (25.787"x67.165")
914 (3-0")	688.58 (27.11")	706x1706 (27.795"x67.165")



THIS DRAWING AND THE INFORMATION CONTAINED HEREIN IS PROPRIETARY TO TRIMLITE COMPANY AND SHALL NOT BE REPRODUCED, COPIED OR DISCLOSED IN WHOLE OR PART, OR USED FOR MANUFACTURE OR FOR ANY OTHER PURPOSE WITHOUT THE WRITTEN PERMISSION OF TRIMLITE COMPANY.

Rev. #	Description	Date	by Whom
A		2016.12.14	

TITLE		DRAWING NO.	
8401CFG/8401DWL		T-8401-80	
(1-3/8" x 6-8") MDF		SCALE NTS	
LAYOUT	2/24	SCALE	NTS
DRAWN BY:		DIMENSIONS ARE IN	mm/[in"]
		DATE	

