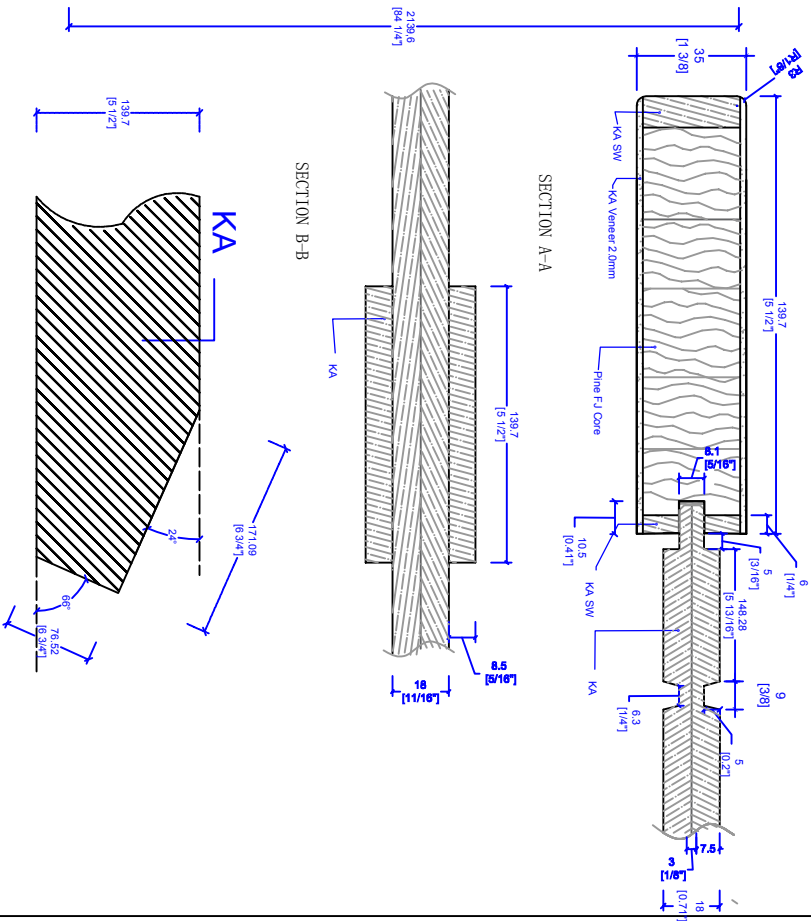


SECTION B-B

KA



SECTION A-A

SECTION B-B

REV.	DESCRIPTION	DATE	BY
A		2016.11.12	

UNLESS OTHERWISE SPECIFIED:
DIMENSIONS ARE IN MILLIMETERS
TOLERANCES ARE:
FRACTIONS: ±0.25
DECIMALS: ±0.13
ANGLES: ±1.0°
HOLE POSITIONING: ±0.25
DO NOT SCALE DRAWING

THE INFORMATION CONTAINED IN THIS DRAWING IS THE PROPERTY OF TRIMLITE. IT IS TO BE USED ONLY FOR THE PROJECT AND SITE SPECIFICALLY IDENTIFIED ON THIS DRAWING.

TITLE: 8401BZ
1-3/8" x 7-0" KA

DRAWN: SCALE: SHEET: 1 OF 1
 REV: A