

Required System Parts:

(1) Swidget Switch.....P/N: L-S16001WA-1

Accessories (sold separately):

Swidget Wi-Fi Control Insert..... L-WI000UWA-1
Swidget Wi-Fi Control + USB Charger Insert..... L-WI001UWA-1
Swidget Wi-Fi Control + Guide Light Insert..... L-WI002UWA-1
Swidget Wi-Fi Control + Motion Sensor Insert L-WI004UWA-1

Installation Instructions

Swidget Standard Switch Single Pole/Three-Way



This device is designed to be installed in a wall box measuring at least 3" x 2" x 2.5" and wired in accordance with NEC article 314 box fill requirements – within indoor applications only.

READ ALL INSTRUCTIONS BEFORE INSTALLING SYSTEM.

Before beginning installation, turn off power at circuit breaker or fuse and test that the power is off before wiring.

Wire the device as per the wiring diagram provided using the wire nuts provided. The wire nuts can accommodate three #14AWG wires.

1. Connect the Swidget device black wire to the hot wire (black) in the wall box.
2. Connect the Swidget device white wire to the neutral wire (white) in the wall box.
3. Connect the Swidget device red wire to the load wire for Single Pole or a Standard Three-Way Switch Terminal (see diagram).
4. Connect the Swidget device blue wire to remaining Standard Three-Way Switch Terminal (see diagram). Do not connect for Single Pole wiring – leave the end capped with one of the wire nuts provided.
5. This device must be properly grounded for shock protection. To do this, connect the wall box ground wire (green or bare) to the Swidget device's green terminal screw.
6. Mount device to wall box using the provided screws, attach the wall plate (sold separately), and restore power.

SWITCH CONTROLS

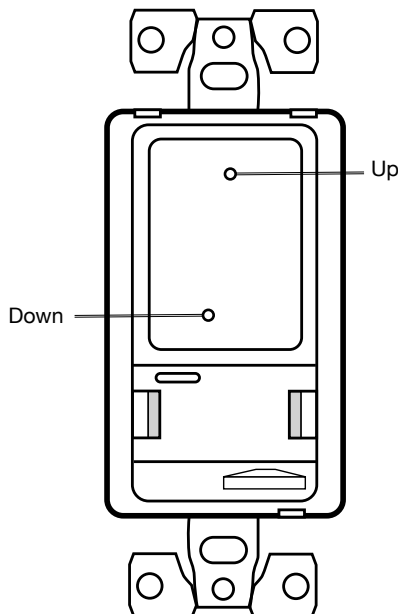
Note: No Swidget insert is required for normal Switch operation. Both the UP and DOWN positions TOGGLE the switch state.

With Lights OFF

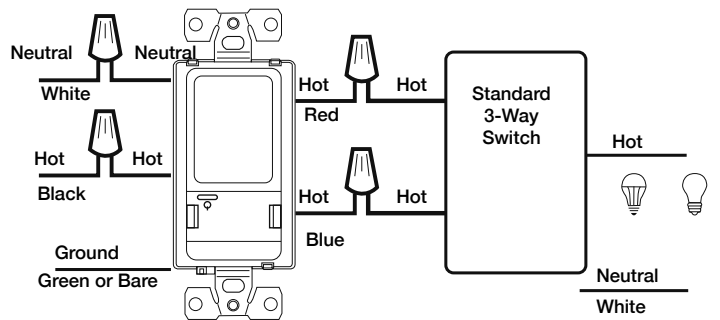
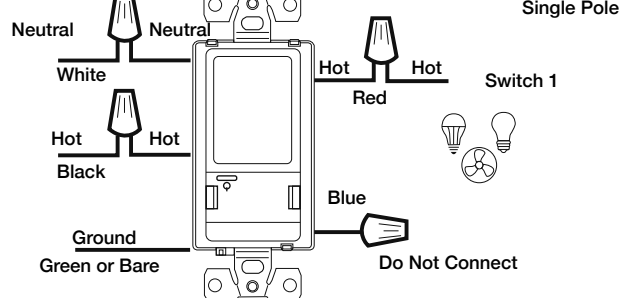
PRESS and RELEASE either UP or DOWN will turn the Lights ON.

With Lights ON

PRESS and RELEASE either UP or DOWN will turn the Lights OFF



Wiring Diagram



IMPORTANT SAFETY INSTRUCTIONS

TO AVOID FIRE, SHOCK OR DEATH, TURN OFF POWER AT THE CIRCUIT BREAKER OR FUSE AND TEST THAT THE POWER IS OFF BEFORE WIRING!

- If you are not sure about any part of these instructions, consult an electrician.
- Only use copper wire, do not use aluminum wire with this device.
- A single branch circuit shall supply the device.
- Use only with permanently installed fixtures.
- For INDOOR use only.
- When used with power output Swidget inserts, use only appropriate Class 2 connectors with interconnecting cables and any cables shall be routed away from the receptacle outlet slots. Class 2 output connectors are not intended for supporting products or appliances.
- Do not exceed total 5A – 125VAC rating.
- Maximum load types – LED/CFL = 300W, Incandescent = 600W, Motor = 1/3 HP (single pole wiring only).
- Only to be used with approved/certified Swidget inserts; a Swidget insert is to be installed at all times.
- Use only with listed inserts designed for use with this outlet.

Save these instructions for future reference.



Tresco Lighting by Rev-A-Shelf
12400 Earl Jones Way
Louisville, KY 40299
Tel: 800-227-1171
Fax: 502-491-2215
Email: cservice@trescolighting.com
Web: www.trescolighting.com

Required System Parts:

(1) Swidget Switch.....P/N: L-S16001WA-1

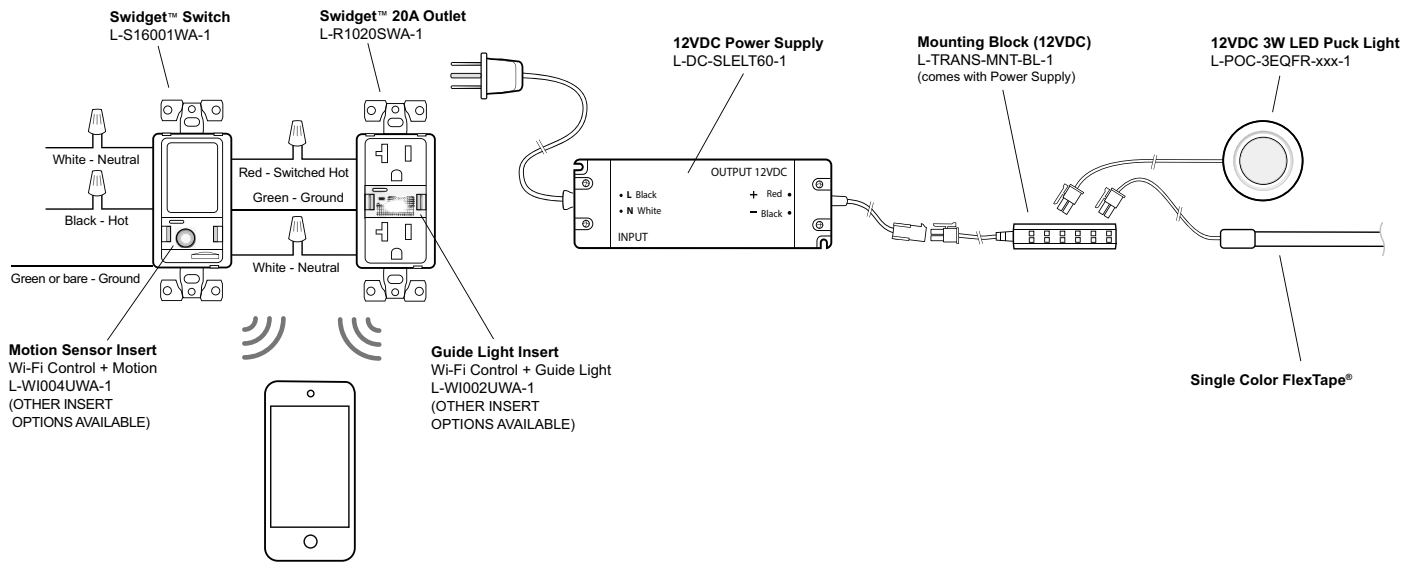
Installation Instructions

**Swidget Standard Switch
Single Pole/Three-Way**

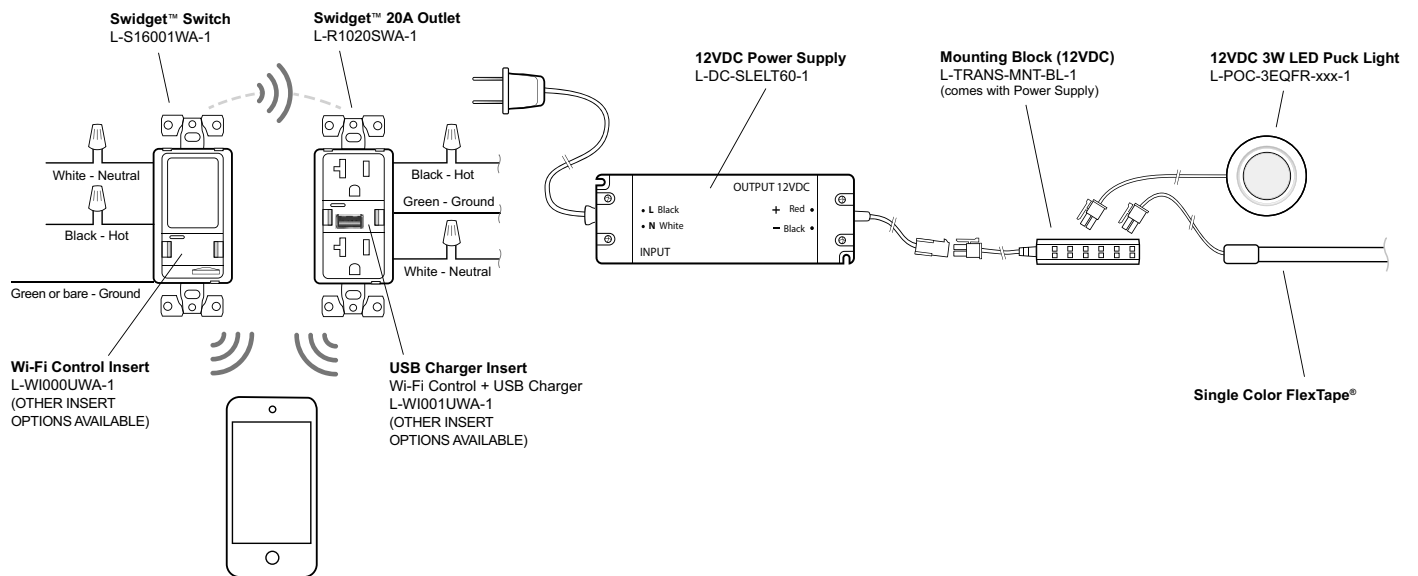
Accessories (sold separately):

Swidget Wi-Fi Control Insert..... L-WI000UWA-1
 Swidget Wi-Fi Control + USB Charger Insert..... L-WI001UWA-1
 Swidget Wi-Fi Control + Guide Light Insert..... L-WI002UWA-1
 Swidget Wi-Fi Control + Motion Sensor Insert L-WI004UWA-1

Swidget Switch wired to Outlet connected to 12VDC LED Puck & FlexTape®



Swidget Switch with Smart Outlet wired independently connected to 12VDC LED Puck & FlexTape®



Save these instructions for future reference.



Tresco Lighting by Rev-A-Shelf
 12400 Earl Jones Way
 Louisville, KY 40299
 Tel: 800-227-1171
 Fax: 502-491-2215
 Email: cservice@trescolighting.com
 Web: www.trescolighting.com

Required System Parts:

Swidget Wi-Fi Control Insert.....P/N: L-WI000UWA-1

Along with (1) Swidget Device (sold separately):

Swidget 20A Outlet.....P/N: L-R1020SWA-1

Swidget Switch.....P/N: L-S16001WA-1

Swidget Dimmer Switch.....P/N: L-SD3001WA-1

Installation Instructions

Swidget Wi-Fi Control Insert



When paired with a Swidget Device, the Wi-Fi Control Insert allows the user remote control and the ability to monitor power used by the device. The Wi-Fi Control Insert connects to your home's wireless router via the Swidget App (Android and IOS).

FEATURES

- Remote ON/OFF control via a wireless router
- Manual ON/OFF control via front panel push button
- Independent power monitoring
- Wi-Fi Compatible

READ ALL INSTRUCTIONS BEFORE INSTALLING SYSTEM.

Before beginning installation, it is recommended to turn off the power at the circuit breaker or fuse and test that the power is off before installing or removing.

This Insert can be installed in a Swidget Device ONLY.

1. Orient the Insert to line up with the pins in the device cavity. NOTE: alignment pins will prevent incorrect installation.
2. Push Insert into the device cavity until the two side latches engage.
3. Re-enable power to the circuit breaker.
4. For first time installation, the Insert LED will blink white for approximately 30 seconds to prepare the device. Insert will blink green when ready for network pairing. For Inserts being moved, the Insert will power up with the previous location settings.
5. Download the Swidget App from the IOS App or Google Play Store.

MANUAL OUTLET SWITCHING – Works with connected insert only

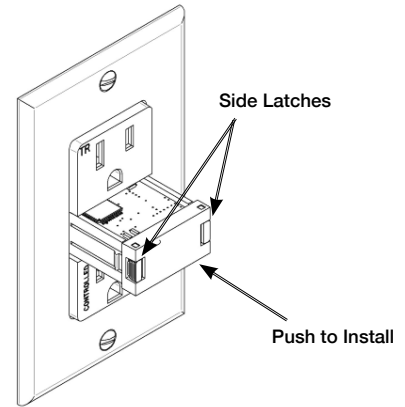
1. Tap Insert button to toggle state of outlet ON or OFF.

WI-FI NETWORK PAIRING

1. Press Insert button and hold for 12-15 seconds until the Insert LED turns solid RED, then release. LED will begin to rapidly blink WHITE for approximately 30 seconds and then blink GREEN to indicate Insert is in DISCOVERY MODE and will remain in that mode for 5 minutes.
2. Login to the Swidget App and click Add Device or the + sign in the top right of the Home Screen.
3. Select the device that you want to pair. If you don't see anything on the Add New Device screen, make sure that Bluetooth is enabled on your device and that the Insert is in DISCOVERY MODE.
4. Select your Network Name from the dropdown list and enter your password. Please note that Swidget Wi-Fi inserts will not work with 5GHz network. Click Send Credentials.
5. On the Device Setup Screen, you can choose a Room from the dropdown list or enter your own for your Swidget Device. Once complete, click continue.
6. Your Swidget Insert should now be paired.

LED INFORMATION

LED DESCRIPTION	ACTION
Rapidly Blinking White	Initializing
Blinking Green x 2	Ready to pair (Discovery Mode)
Blinking Red x 2	Ready to pair (Notify Support)
Blinking Blue	Pairing
Blinking Orange x 2	Reconnecting to router
Blinking Orange x 3	Reconnecting to cloud services
Solid Green	Normal Operation (Power state is ON)



Button Press and Hold	LED State	Action
Momentary Press	-	Toggle Power
9 - 12 seconds	White	Restart Device
12 - 15 seconds	Red	Factory Reset
15+ seconds	-	No Action

IMPORTANT SAFETY INSTRUCTIONS

WHILE NOT REQUIRED, IT IS RECOMMENDED TO AVOID ANY RISK OF SHOCK OR DEATH, TO TURN OFF POWER AT THE CIRCUIT BREAKER OR FUSE AND TEST THAT THE POWER IS OFF BEFORE INSTALLING OR REMOVING ANY INSERT.

- Not for use to control medical or life support equipment.
- For INDOOR use only.
- Insert can only be installed in one orientation and rear alignment pins prevent incorrect installation. Do not forcibly install an Insert.
- When using with a Swidget Outlet, do not use Wi-Fi connected devices to control electric heaters or any other appliances which may present a hazardous condition due to unattended, unintentional, or automatic power control.
- Double check any external Wi-Fi settings for accuracy before using them.
- Requires a wireless router and internet connection for device setup.
- Actual wireless performance in a home depends on the numbers of walls-obstacles between the Insert and the wireless router.

Save these instructions for future reference.



Class 2

Tresco Lighting by Rev-A-Shelf
 12400 Earl Jones Way
 Louisville, KY 40299
 Tel: 800-227-1171
 Fax: 502-491-2215
 Email: cservice@trescolighting.com
 Web: www.trescolighting.com

Required System Parts:

Swidget Wi-Fi Control Insert..... P/N: L-WI000UWA-1

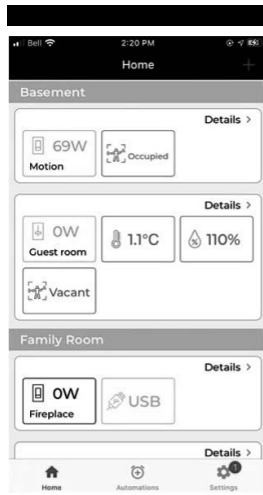
Swidget App Instructions

Along with (1) Swidget Device (sold separately):

Swidget 20A Outlet.....P/N: L-R1020SWA-1

Swidget Switch.....P/N: L-S16001WA-1

Swidget Dimmer Switch.....P/N: L-SD3001WA-1



Home Screen

Once connected, your Swidget device will show up as tiles on your Home Screen. This page is a snapshot of your Swidget devices providing access to the controllable features of your device, and allowing you to monitor important sensor information, such as the amount of energy each device is consuming, temperature and humidity readings, occupancy status, and much more.



SWITCH/OUTLET DETAILS SCREEN

The product details screens shown above gives more details and control of your individual connected products. Here you can toggle your lights, outlet, or other controllable device on or off, view important energy details, and more. Clicking on either of the tiles to the right of the device image, allows you to configure your device, view aggregate energy information, or calibrate your Outlet.

HOW TO: UPDATE YOUR FIRMWARE

When a firmware update is available, you will see a notification icon on the Settings gear at the bottom of the Home Screen. Click on it to enter the Settings screen.

Click Update beside each individual Insert or select Update All. The update will take about a minute to complete.

HOW TO: CALIBRATE YOUR SWIDGET OUTLET

The following instructions apply to the 20 Amp Swidget Outlet.

1. On the Outlet Details screen, click on either of the power readings beside the image of the Outlet.
2. Click the middle icon on the top bar.
3. To set up power monitoring, plug-in the appliance(s) to be monitored.
4. Make sure each appliance is powered on and in its normal operating state.
5. Recalibrate as often as needed as your appliance configuration changes.

HOW TO: CREATE A SCHEDULE

Follow the directions below to create a Schedule in the Swidget App. Make sure that before you start, you have installed at least one Swidget Insert.

1. Select the Automations icon in the middle of the bottom menu.
2. Click the + sign in the top right and choose Schedule.
3. Choose a descriptive name for your schedule.
4. Select a Start Action and Time. This can be an exact time or relative to Sunrise and Sunset. NOTE: Sunrise and Sunset times are determined using your smart device's GPS location.
5. Choose an End Action and Time.
6. Select the Days on which you would like the schedule to be active. You can choose Every Day or on Specific Days.
7. Finally, click Save Schedule to finalize your selections.

HOW TO: CREATE AN AUTOMATION OR RULE

Follow the directions below to create a Rule in the Swidget App. Make sure that before you start, you have installed at least one Swidget Insert.

1. Select the Automations icon in the middle of the bottom menu.
2. Click the + sign in the top right and choose Rule.
3. Choose a descriptive name for your Rule.
4. Click the + beside Select Trigger, then choose a Device. The triggers available will be listed. Choose one.
5. Choose Send Notification if you would like to receive a notification when the trigger you selected has occurred. You can add multiple Actions.
6. Next, you can Add Start/End Time in between which the Rule will be enabled. This can be an exact time or relative to Sunrise and Sunset. NOTE: Sunrise and Sunset times are determined using your smart device's GPS location.
7. Select the Days on which you would like the rule to operate. You can choose Every Day or on Specific Days.
8. Finally, click Save Rule to finalize your selections.

HOW TO: CREATE A NOTIFICATION

Follow the directions below to create a Notification in the Swidget App. Make sure that before you start, you have installed at least one Swidget Insert.

1. Select the Automations icon in the middle of the bottom menu.
2. Click the + sign in the top right and choose Rule.
3. Choose a descriptive name for your Rule.
4. Click the + beside Select Trigger, then choose a Device. The triggers available will be listed. Choose one that you want to be notified about. Ex: When the Controlled Outlet power consumption exceeds 500W for 10 minutes.
5. Choose Send Notification.
6. You can Add Start/End Time in between which the Rule will be enabled. This can be an exact time or relative to Sunrise and Sunset. NOTE: Sunrise and Sunset times are determined using your smart device's GPS location.
7. Select the Days on which you would like the rule to operate. You can choose Every Day or on Specific Days.
8. Finally, click Save Rule to finalize your selections.

Save these instructions for future reference.

tresco
technology

Class 2

Tresco Lighting by Rev-A-Shelf
12400 Earl Jones Way
Louisville, KY 40299
Tel: 800-227-1171
Fax: 502-491-2215
Email: cservice@trescolighting.com
Web: www.trescolighting.com