

**WARNINGS:**

- **TO AVOID FIRE, SHOCK, OR DEATH: TURN OFF POWER** at circuit breaker or fuse and test that power is off before wiring or servicing fixture!
- **TO AVOID FIRE, SHOCK, OR DEATH:** use with compatible **dimnable** LED and CFL bulbs, incandescent or 120V halogen fixtures only. For a complete list of compatible LED bulbs refer to [www.leviton.com/led](http://www.leviton.com/led).
- To be installed and/or used in accordance with appropriate electrical codes and regulations.
- If you are unsure about any part of these instructions, consult an electrician.
- Use this device **with copper or copper clad wire only**.

**CAUTIONS:**

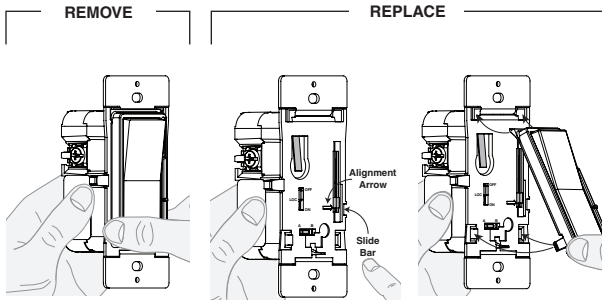
- When multiple bulbs are used with one dimmer **DO NOT** mix bulb types. All bulbs shall be either LED, CFL or incandescent. Using the same make/model of each bulb will enhance performance.
- Use only one (1) dimmer in a 3-way circuit. The switch(es) will turn the light on at the brightness level selected at the dimmer.
- To avoid overheating and possible damage to this device and other equipment, **DO NOT** install to control a receptacle, a motor or a transformer-operated appliance, or any other lighting sources than those specified.

**Tools needed to install your Dimmer**

- Slotted/Philips Screwdriver    Electrical Tape    Ruler  
Pliers    Pencil    Cutters

**Changing the Color of your Dimmer**

If a color change kit is provided with your device, proceed with the following step before wiring the device if you need to change the color. Otherwise, proceed with the "Installing Dimmer by itself or with other devices" section.

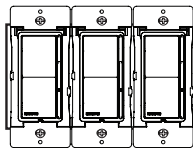


**REMOVE:** Press the side of the color kit at either bottom tab and pull forward to release.

**REPLACE:** Align slide bar with alignment arrow as shown. Move the slide bar of the color kit to the bottom. Insert top tabs of the color kit into the slots on the top of the dimmer. Then press the bottom of the color kit in until it snaps into place.

**Installing Dimmer by itself or with other devices**

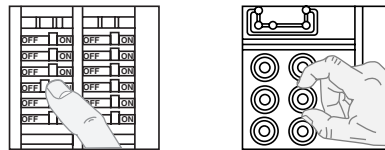
In incandescent multi-dimmer installations, the reduction of the dimmer's capacity is required. Refer to the chart for maximum load per dimmer. No derating is required for use in dimmable LED or dimmable CFL multi-dimmer installations.



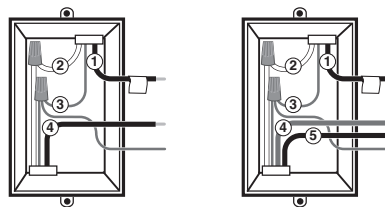
MAXIMUM LOAD PER DIMMER FOR MULTI-DEVICE				
Cat. No.	Load	Single	Two Devices	More than 2 Devices
DSL06	Incand.	600W	500W	500W
DSL06	LED/CFL	300W (2.5A)	300W (2.5A)	300W (2.5A)

**Installing your Dimmer**

**Step 1** **WARNING: TO AVOID FIRE, SHOCK, OR DEATH; TURN OFF POWER** at circuit breaker or fuse and test that power is off before wiring or servicing fixture!



**Step 2** **Identifying your wiring application (most common):**  
**NOTE:** If the wiring in the wall box does not resemble any of these configurations, consult an electrician.

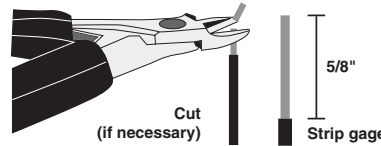


- Single Pole**
1. Line (Hot)
  2. Neutral
  3. Ground
  4. Load
- 3-Way**
1. Line or Load (See note below)
  2. Neutral
  3. Ground
  4. First Traveler – note color
  5. Second Traveler – note color

**NOTE:** For 3-Way applications, note that one of the screw terminals from the old switch being removed will usually be a different color (Black) or labeled Common. Tag that wire with electrical tape and identify as the common (Line or Load) in both the dimmer wall box and 3-way wall box.

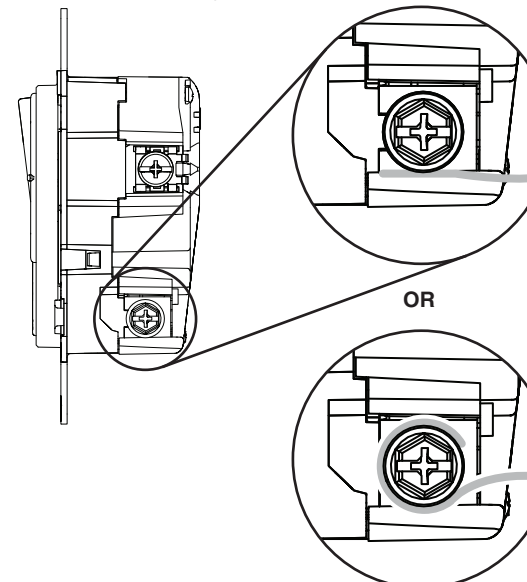
**Step 3** **Preparing and connecting wires:**

- Make sure that the ends of the wires from the wall box are straight (**cut if necessary**).
- Remove 5/8" (1.6 cm) of insulation from each wire in the wall box.
- **For Single-Pole Application, go to Step 4a.**
- **For 3-Way Application, go to Step 4b.**

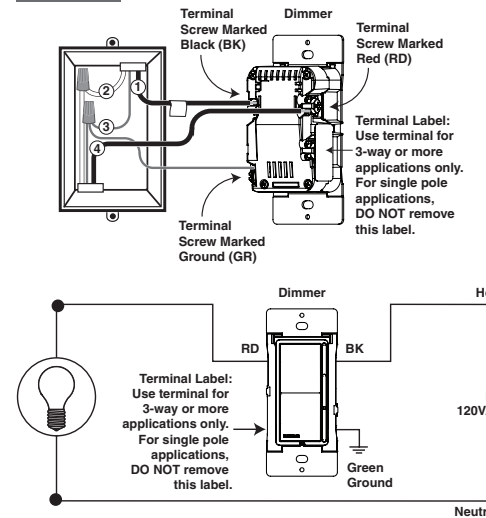


**Connecting the ground wire:**

Ground connection can be made by placing the green or bare copper wall box wire under the ground screw. The wire can be placed straight under the screw and tightened, or wrapped around the screw and tightened.

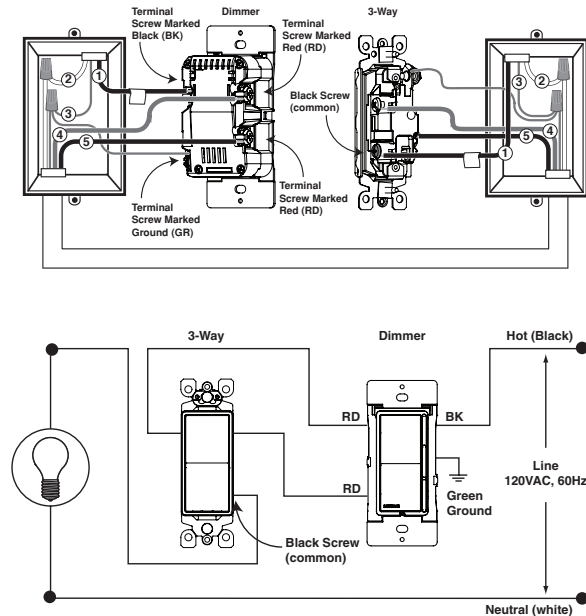


**Step 4a** **Single-Pole Wiring Application:**



- Connect wires per WIRING DIAGRAM as follows:**
- Green or bare copper wall box wire to terminal screw marked "GR".
  - Line Hot wall box wire to terminal screw marked "BK".
  - Load wall box wire to terminal screw marked "RD".
  - Remaining Dimmer terminal screw marked "RD" should have an insulation label affixed. **DO NOT REMOVE** this label in a single pole application. **NOTE:** If insulating label is not affixed to the Yellow/Red dimmer terminal screw, use electrical tape to cover.
- Proceed to Step 5.**

### Step 4b 3-Way Wiring Application:



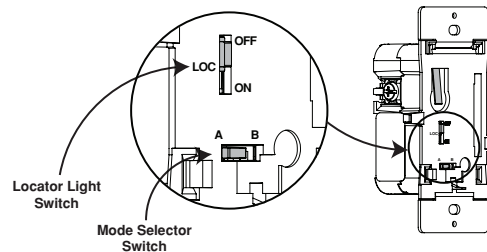
Connect wires per **WIRING DIAGRAM** as follows:

- Green or bare copper wall box wire to terminal screw marked "GR".
  - Common (Line hot or Load) wire to terminal screw marked "BK".
  - Remove insulating label and connect the first traveler wire to the terminal screw below marked "RD".
  - Second traveler wire to the remaining terminal screw marked "RD".
- Proceed to Step 5.

### Step 5 Dimmer Mode Selector Switch:

Cat No. **DSL06** is pre-set at the factory with the Mode Selector Switch set to **Mode A**. For applications where bulbs do not turn on smoothly or exhibit inconsistent performance when turning on, set the Mode Selector Switch to **Mode B**. The Mode Selector Switch also allows the user to adjust the minimum or maximum light level when dimming. Information on this feature is found under **PROGRAMMING**.

**NOTE:** See illustration for location of Mode Selector Switch.



**Mode A:** The Mode Selector Switch is pre-set at the factory to this mode. In this mode, the bulb will quickly ramp up to the pre-set light level set by the slide bar.

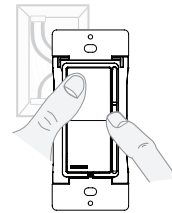
**Mode B:** In this mode, the bulb will instantly turn on to the pre-set light level set by the slide bar.

**NOTE:** To avoid flickering at the low end of the dimming range, you can pre-set the minimum light level.

See **PROGRAMMING** to manually program the minimum light level.

**Locator Light Switch (LOC):** The LED Locator Light will illuminate when the bulb is OFF. The Locator Light Switch can be toggled to enable or disable the Locator Light.

### Step 6 Testing your Dimmer prior to mounting in the wall box:



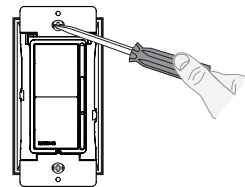
- Restore power at circuit breaker or fuse.
- Carefully holding dimmer, move slider control lever to highest position and press the top of the Decora® rocker. Lights should turn ON to brightest level.

**WARNING: TO PREVENT SEVERE SHOCK OR ELECTROCUTION,** make sure your fingers do not touch the wires or the screw terminals!

**NOTE:** If lights does not turn ON, refer to the TROUBLESHOOTING section.

### Step 7 Dimmer Mounting:

**TURN OFF POWER AT CIRCUIT BREAKER OR FUSE.**



Installation may now be completed by carefully positioning all wires to provide room in wall box for dimmer. Mount dimmer into box with mounting screws supplied. Attach wallplate.

### Step 8 Restore Power:

Restore power at circuit breaker or fuse. **Installation is complete.**

### Operation

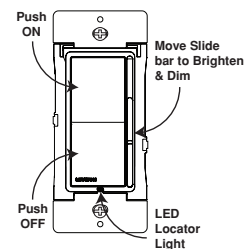
#### ON/OFF:

Press top of Decora® rocker  
- Lights will turn ON.

Press bottom of Decora® rocker  
- Lights will turn OFF.

#### BRIGHTEN & DIM:

Move slide bar  
- Lights will BRIGHTEN or DIM.

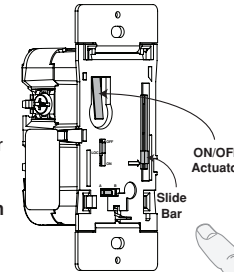


### Programming

#### Setting Minimum or Maximum Light Level

- 1) Press bottom of Decora rocker to turn the dimmer OFF.
- 2) Remove color kit (see Changing the Color of your Dimmer section on page 1).
- 3) To set the **minimum** light level move the slide bar to the bottom. To set the **maximum** light level move the slide bar to the top.
- 4) Set the mode selector switch to **Mode A**.
- 5) Press and hold the ON/OFF Actuator to turn the light ON.
- 6) While holding the ON/OFF Actuator, move the Mode Selector Switch to **Mode B**.
- 7) While continuing to hold the ON/OFF Actuator, raise or lower the slide bar to achieve the desired minimum or maximum light level.
- 8) While continuing to hold the ON/OFF Actuator, set the Mode Selector Switch back to **Mode A**.
- 9) A momentary flash of the bulb will occur confirming the new setting.
- 10) Release the ON/OFF Actuator to turn the light OFF.
- 11) Replace color kit (see Changing the Color of your Dimmer section on page 1).

**NOTE:** When entering the minimum adjustment mode, the light may suddenly turn OFF. The light level should be increased until the bulb turns on and the desired level is achieved.



### Troubleshooting

- **Lights do not turn ON immediately**
  - Move the Mode Selector Switch to Mode B
- **Lights flickering**
  - Bulb has bad connection.
  - Wires not secured firmly with wire connectors.
  - If flickering occurs during startup, move the Mode Selector Switch to **Mode B**.
- **LED flicker or dead travel at low end of dimming range**
  - Increase the low end of the dimming range through the use of the minimum programming mode.
- **LED flicker or dead travel at the high end of the dimming range**
  - Decrease the high end of the dimming range through the use of the maximum programming mode.
- **CFL or LED bulb flickers throughout dimming range**
  - Ensure the bulbs are marked dimmable.
  - Please use the Leviton LED Compatibility Tool to find compatible bulbs at [www.leviton.com/led](http://www.leviton.com/led).
- **Light does not turn ON**
  - Circuit breaker or fuse has tripped.
  - Bulb is burned out.
  - Bulb Neutral connection is not wired.
- **LED bulb(s) remains ON or glow when dimmer is OFF**
  - Turn the Locator Light Switch to the OFF position.

**NOTE:** If further information is needed in identifying the **HOT wire** in a 3-Way application, go to Leviton's website at [www.leviton.com](http://www.leviton.com).

#### FCC STATEMENT:

This equipment has been tested and found to comply with the limits for a Class B digital device, pursuant to part 15 of the FCC Rules. These limits are designed to provide reasonable protection against harmful interference in a residential installation. This equipment generates, uses and can radiate radio frequency energy and, if not installed and used in accordance with the instructions, may cause harmful interference to radio communications. However, there is no guarantee that interference will not occur in a particular installation. If this equipment does cause harmful interference to radio or television reception, which can be determined by turning the equipment off and on, the user is encouraged to try to correct the interference by one or more of the following measures:

- Reorient or relocate the receiving antenna.
- Increase the separation between the equipment and receiver.
- Connect the equipment into an outlet on a circuit different from that to which the receiver is connected.
- Consult the dealer or an experienced radio/TV technician for help.

#### FCC SUPPLIER'S DECLARATION OF CONFORMITY:

Model DSL06 is sold by Leviton Manufacturing Co., Inc. 201 N. Service Rd., Melville, NY 11747. This device complies with part 15 of the FCC Rules. Operation is subject to the following two conditions:

- (1) This device may not cause harmful interference, and (2) this device must accept any interference received, including interference that may cause undesired operation.

#### TRADEMARK DISCLAIMER:

Decora is a trademark of Leviton Manufacturing Co., Inc.

#### IC STATEMENT:

This device complies with Industry Canada licence-exempt RSS standard(s). Operation is subject to the following two conditions: (1) this device may not cause interference, and (2) this device must accept any interference, including interference that may cause undesired operation of the device.

Patents covering this product, if any, can be found on [Leviton.com/patents](http://Leviton.com/patents).

#### FOR CANADA ONLY

For warranty information and/or product returns, residents of Canada should contact Leviton in writing at **Leviton Manufacturing of Canada ULC to the attention of the Quality Assurance Department, 165 Hymus Blvd, Pointe-Claire (Quebec), Canada H9R 1E9** or by telephone at **1 800 405-5320**.

#### LIMITED 5 YEAR WARRANTY AND EXCLUSIONS

Leviton warrants to the original consumer purchaser and not for the benefit of anyone else that this product at the time of its sale by Leviton is free of defects in materials and workmanship under normal and proper use for five years from the purchase date. Leviton's only obligation is to correct such defects by repair or replacement, at its option. **For details visit [www.leviton.com](http://www.leviton.com) or call 1-800-824-3005.** This warranty excludes and there is disclaimed liability for labor for removal of this product or reinstallation. This warranty is void if this product is installed improperly or in an improper environment, overloaded, misused, opened, abused, or altered in any manner, or is not used under normal operating conditions or not in accordance with any labels or instructions. **There are no other or implied warranties of any kind, including merchantability and fitness for a particular purpose,** but if any implied warranty is required by the applicable jurisdiction, the duration of any such implied warranty, including merchantability and fitness for a particular purpose, is limited to five years. **Leviton is not liable for incidental, indirect, special, or consequential damages, including without limitation, damage to, or loss of use of, any equipment, lost sales or profits or delay or failure to perform this warranty obligation.** The remedies provided herein are the exclusive remedies under this warranty, whether based on contract, tort or otherwise.