

**NOTE:** These Plug-In LED Power Supplies are not dimmable on line voltage side. They can be dimmed on low-voltage side using one of several Tresco® low-voltage LED Dimmers.

# Installation Instructions Plug-in Equiline LED Power Supplies

## Class 2 • Non-Dimmable 30W & 60W 12VDC Constant Voltage

### IMPORTANT SAFETY INSTRUCTIONS

**CAUTION: To reduce the risk of fire, electric shock, or injury to persons: Read all instructions before installing system.**

**Before beginning installation, be sure power is turned OFF to the power supply and light system.**

- The 30W 12VDC Power Supply operates on line voltage 100-277 VAC. The 60W 12VDC Power Supply operates on line voltage 100-277 VAC.

**Warning:** All wiring must be in accordance with national and local electrical codes, low-voltage Class 2 circuit. The Power Supply is to be mounted and wired in accordance with Article 450 of the National Electric Code (NEC). Failure to install the Power Supply and light fixture in compliance with applicable codes and regulations may cause serious personal injury, death and/or major property damage.

- Do not conceal the Power Supply inside a wall, ceiling, soffit, or similar permanent structure. The unit must be accessible.
- Never install a Power Supply face down or resting on its side. For a bank of multiple Power Supplies, mount the units with spacing at least equal to the width of one unit. The Power Supply must be installed in a well-ventilated area free from explosive gases and vapors. Do not install in an airtight, boxed-in structure. The Power Supply is cooled

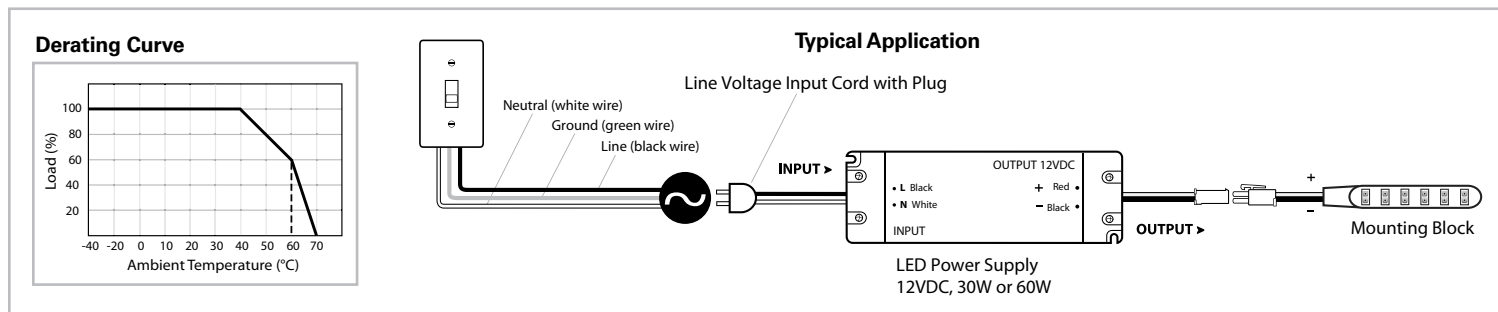
by circulating air and by mounting the unit flush to a surface to allow for heat transfer. Operate the Power Supply at cooler surrounding air temperatures to extend the life of the unit. See Derating Curve for temperatures above 40°C (104°F).

- Operate only within the specified ambient temperature range of -40°C (-40°F) to 60°C (140°F).

Note: It is normal for the LED Power Supply to feel warm when under a full wattage load.

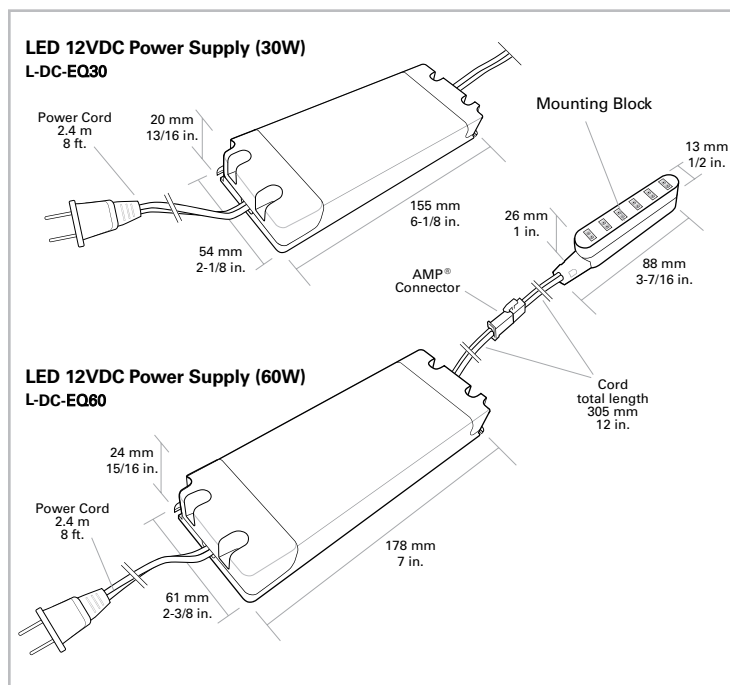
- Do not conceal the line voltage input cord inside a wall, ceiling, soffit, or similar permanent structure. This requirement does not apply to the 12VDC wiring between the Power Supply and the cabinet light system. For low voltage wire runs inside a wall, ceiling, soffit, or similar permanent structure, use CL2 or better cabling.
- Do not install low-voltage Class 2 wiring along the same run as AC line voltage. If the line voltage and low-voltage wires need to cross, keep them at 90° angles.
- Use only insulated staples or plastic ties to secure ALL loose wires.
- Route and secure wires so that they will not be pinched or damaged when the cabinet is pushed to the wall.

(Continued on page 2)



### Technical Specifications

Part No.	L-DC-EQ30	L-DC-EQ60
<b>Output:</b>		
DC Voltage	12V	12V
Rated Current	2.5A	5A
Rated Power	30W max.	60W max.
<b>Input:</b>		
Voltage Range	100-277VAC	100-277VAC
Frequency Range	47-63Hz	47-63Hz
Power Factor (Typ.) @ full load	0.50 @ 120VAC 0.50 @ 277VAC	0.50 @ 120VAC 0.50 @ 277VAC
Efficiency (Typ.) @ full load	79%	83%
Wiring	Suitable for minimum 18AWG, rated min. 300V, min. 90°C	
<b>Protection:</b>		
Short Circuit	Shut down o/p voltage, re-power on to recover after fault condition is removed	
Over Loading	≤ 120% shut down o/p voltage, re-power on to recover	≤ 120% Hiccup mode, recovers automatically after fault condition is removed
Over Temperature	100°C ± 10°C shut down o/p voltage, automatically recover after cooling	
Working Temperature	-40°C ~ +60°C (see Derating Curve chart above)	



## IMPORTANT SAFETY INSTRUCTIONS

- Do not attempt to ground this unit. It is double-insulated.
- This unit can be mounted in any orientation, horizontal or vertical.
- Power Supply provides shut down protection against short circuit, over loading, and over temperature. Unit automatically recovers after fault condition is removed and after cooling.
- Intended for dry or damp locations only. Not intended for wet locations.
- Not intended for recessed installation in ceilings or soffits.
- If any modification is made to the Power Supply, it will invalidate the warranty and may render the product unsafe.

## Troubleshooting

<b>Fixture does not illuminate</b>	<ul style="list-style-type: none"><li>• Check installation instructions and diagrams for all components. Check if the system is wired correctly and polarities are correct.</li><li>• Verify that a compatible constant voltage dimmable fixture is installed and a 12VDC trailing edge dimmer is being used.</li><li>• Verify if the power supply and fixture have the same voltage specifications (i.e. 12V and 12V, etc.).</li></ul>
<b>Fixture does not dim</b>	<ul style="list-style-type: none"><li>• Check that a compatible constant voltage dimmable fixture is installed</li><li>• Verify that a compatible 12VDC trailing edge dimming control is installed and wired correctly.</li></ul>
<b>Different fixture types do not dim in sync</b>	<ul style="list-style-type: none"><li>• Each fixture type has its own circuit design and may respond differently when dimmed. Check that each fixture type is installed on a separate low voltage dimmer for best performance.</li></ul>
<b>Fixture is flickering</b>	<ul style="list-style-type: none"><li>• Verify that a compatible 12VDC trailing edge dimming control is installed.</li><li>• Check that a compatible constant voltage dimmable fixture is installed.</li><li>• Check that all connections are properly secured.</li><li>• Check if fixture is receiving the correct input voltage.</li><li>• Check to make sure power supply is not wired to a line voltage dimmer (i.e. Lutron C*L wall dimmer).</li></ul>
<b>Fixture is steadily (continuous) flashing</b>	<ul style="list-style-type: none"><li>• Check that the power supply is not overloaded. An overloaded power supply will cause the auto-reset to trip repeatedly.</li></ul>
<b>Installation trips main breaker</b>	<ul style="list-style-type: none"><li>• Check wiring for any short circuits. If breaker continues to trip there may be a short in the power supply. Call customer service for a replacement unit.</li></ul>

**Save these instructions for future reference.  
For technical assistance, call 1-800-227-1171**

**tresco** lighting

**Tresco Lighting by Rev-A-Shelf**  
12400 Earl Jones Way  
Louisville, KY 40299

Tel: 800-227-1171

Fax: 502-491-2215

Email: [cservice@trescolighting.com](mailto:cservice@trescolighting.com)

Web: [www.trescolighting.com](http://www.trescolighting.com)

