

Installation Instructions

Rocker Switch Kit

60W 12VAC/DC

Model: Rocker Switch Kit P/N: L-RDSW

Color Availability: White, Black

READ ALL INSTRUCTIONS BEFORE INSTALLING SYSTEM.

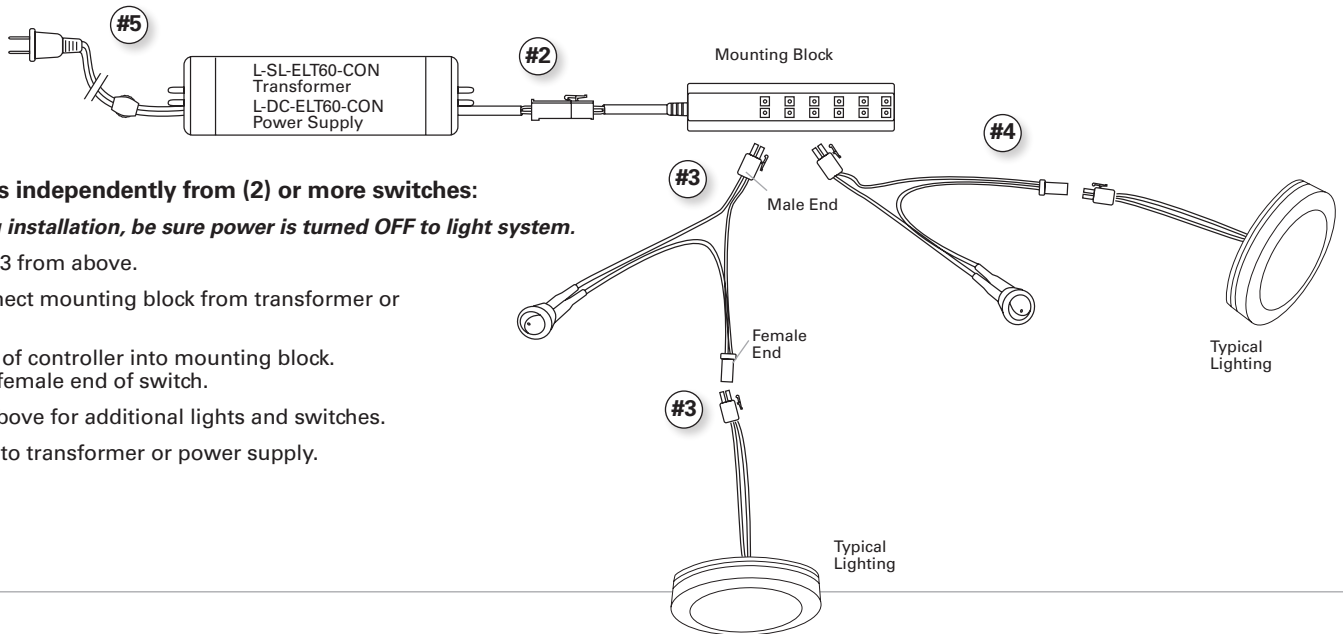
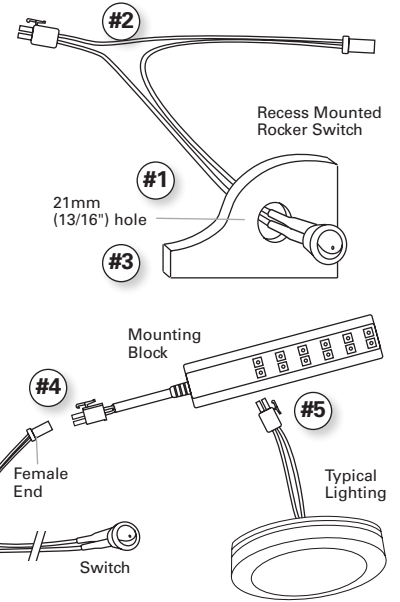
Tresco® Lighting offers rocker switches to control 12V Lighting. Switches can be placed between mounting block and Xenon transformer or LED power supply (sold separately) to control all the lights on one system, or between light and mounting block for isolated control of each light.

Option 1

To control all lights from (1) switch and (1) Xenon transformer or LED power supply:

Before beginning installation, be sure power is turned OFF to light system.

1. Determine location of controller and Xenon transformer or LED power supply.
2. Check wire length from the switch to the transformer or power supply. If too short, order a 12V Extension cord from Tresco® Lighting. Max length for total cord is 5 meters (16.4').
3. To recess mount the switch: Drill 21mm (13/16") hole for controller. Place wires through hole and plug into switch. Push switch completely into hole until snug.
4. Disconnect mounting block from transformer or power supply and plug mounting block into female end of switch. Plug male end of switch into female end of transformer or power supply (12V side).
5. Connect lights into mounting block. Rocker switch can power up to 60W of lights.
6. Turn power on to transformer or power supply.



Option 2

To control lights independently from (2) or more switches:

Before beginning installation, be sure power is turned OFF to light system.

1. Follow steps 1-3 from above.
2. Do not disconnect mounting block from transformer or power supply.
3. Plug male end of controller into mounting block. Plug light into female end of switch.
4. Follow steps above for additional lights and switches.
5. Turn power on to transformer or power supply.

Accessories:

Extension Cords are used when light fixtures are installed farther apart from the Power Supply than the standard Starter Cord length will allow. Maximum recommended length from light to power supply is 5 meters (197").

12VAC Extension Cord for Xenon lights (P/N: L-EXT) available in 1m (39"), 2m (79") or 3m (118") lengths.

12VDC Extension Cord D for LED lights (P/N: L-LED-LINKD) available in 15cm (6"), 25cm (10"), 60cm (24"), 120cm (48"), or 180cm (72") lengths.

Save these instructions for future reference.

For technical assistance: 1-800-227-1171



Tresco Lighting by Rev-A-Shelf
2409 Plantside Dr.
Jeffersontown, KY 40299

Tel: 800-227-1171
Fax: 502-491-2215

Email: cservice@trescolighting.com
Web: www.trescolighting.com



Rock Switch In/1114/grx

I-RDSW12V-1214