

Features

- 25" (635) x 22" (559) x 6" (152) top mount kitchen sink.
- Single compartment.
- 22 gauge 304 stainless steel.
- Center drain location.
- Brushed finish.
- Superior undercoating for added sound insulation.
- 3mm sound deadening pads on all 4 sink sides and bottom. Up to 3 times heavier than competitive models.
- Fits 30" base cabinet width.

Components

Product includes:
Cutout Template
Installation Hardware
Installation Instructions

Options

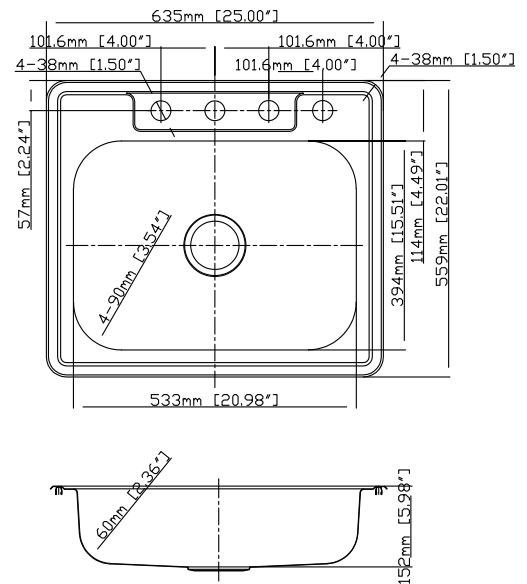
- TSGC25221 Stainless Steel Bottom Sink Grid
- TCBC1116 Bamboo Cutting Board
- 2210R Covered Sink Strainer
- 4010 Covered Disposer Strainer

Warranty

- Lifetime Limited Warranty

Specified Model

Model	STSB25226
Overall Dimensions	L25" x W22 ¹ / ₄ " x D6" 635 x 559 x 152
Bowl Dimensions	L20 ⁶ / ₄ " x W15 ³ / ₄ " x D6" 533 x 394 x 152
Drain holes:	3 ⁵ / ₈ " (92mm)
Shipping Weight	14 lbs.
Material	22 gauge 304 stainless steel
Installation	counter top mounted
Required	template, included



To Be Specified:

see back for configurations available for this sink

	Faucet Hole Drillings
<input type="checkbox"/>	1 Hole
<input type="checkbox"/>	2 Holes - MR2
<input type="checkbox"/>	3 Holes
<input type="checkbox"/>	4 Holes
<input type="checkbox"/>	5 Holes

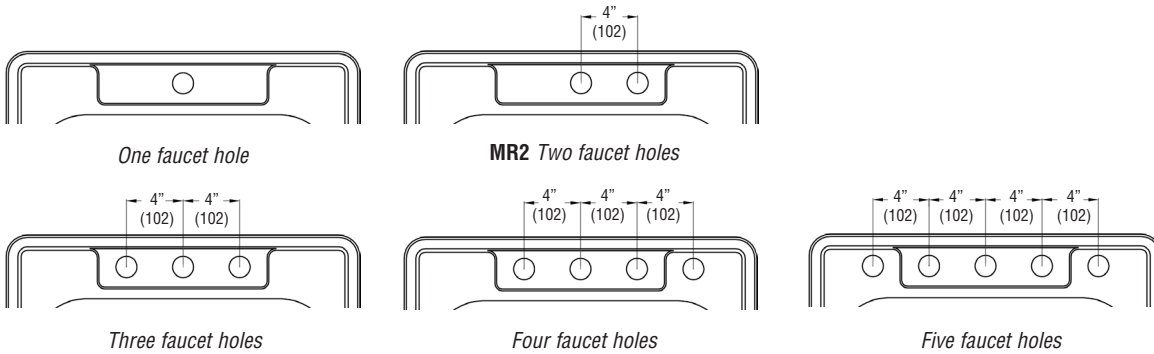
Codes/Standards

ASME A112.19.3/CSA B45.4

Notes

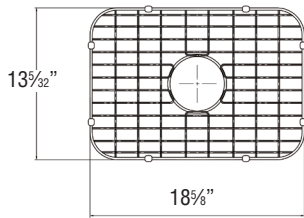
Install this product according to the installation instructions.

Faucet Hole Configurations available for this sink model

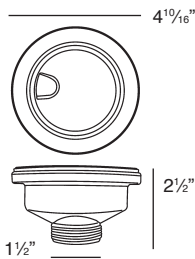


Optional Accessories

TSGC25221 Bottom Sink Grid

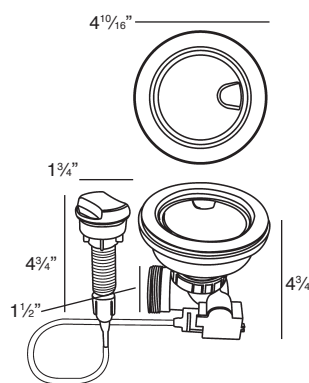


2210R Covered Flip Top Sink Strainer.



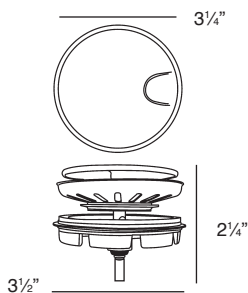
Water drains easily when cover is in place. Cover flips up with easy touch. Cover makes a flat surface at the sink bottom that prevents food waste from getting into the strainer basket for easy sink clean up. Polypropylene housing. Fits standard 3¹/₂" opening.

2310 Remote Covered Flip Top Sink Strainer.



Turn the remote knob to open and close drain. Water drains easily when cover is in place. Cover flips up with easy touch. Cover makes a flat surface at the sink bottom that prevents food waste from getting into the strainer basket for easy sink clean up. Polypropylene housing. Fits standard 3¹/₂" opening. 1³/₈" hole required in countertop for remote installation. Remote cable 25¹/₂" L.

4010 Covered Flip Top Disposer Strainer.



Water drains easily when cover is in place. Cover flips up with easy touch. Polypropylene housing. Top mount installation for 3¹/₂" opening.