

**Features**

- 25" (635) x 22<sup>1</sup>/<sub>4</sub>" (559) x 9" (229) top mount kitchen sink.
- Offset single compartment with faucet deck on right.
- 16 gauge 304 stainless steel.
- Offset center drain location.
- Brushed finish with highlight rim.
- Superior undercoating for added sound insulation.
- 3mm sound deadening pads on all 4 sink sides and bottom. Up to 3 times heavier than competitive models.
- Fits 30" base cabinet width.

**Components**

Product includes:  
Cutout Template  
Installation Hardware  
Installation Instructions

**Options**

TSGM25221 Stainless Steel Bottom Sink Grid  
TCBM916 Bamboo Cutting Board  
2210R Covered Sink Strainer  
4010 Covered Disposer Strainer

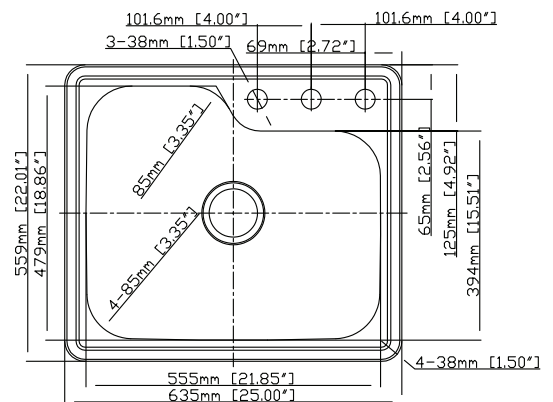
**Warranty**

- Lifetime Limited Warranty



**Specified Model**

Model	MTSO25229
Overall Dimensions	L25" x W22 <sup>1</sup> / <sub>4</sub> " x D9" 635 x 559 x 229
Bowl Dimensions	L21 <sup>27</sup> / <sub>32</sub> " x W18 <sup>55</sup> / <sub>64</sub> " / 15 <sup>39</sup> / <sub>64</sub> " x D9" 555 x 479 / 394 x 229
Drain holes:	3 <sup>5</sup> / <sub>8</sub> " (92mm)
Shipping Weight	23 lbs.
Material	16 gauge 304 stainless steel
Installation	counter top mounted
Required	template, included



**To Be Specified:**

see back for configurations available for this sink

	Faucet Hole Drillings
<input type="checkbox"/>	1 Hole
<input type="checkbox"/>	2 Holes
<input type="checkbox"/>	2 Holes <b>MR2</b>
<input type="checkbox"/>	3 Holes

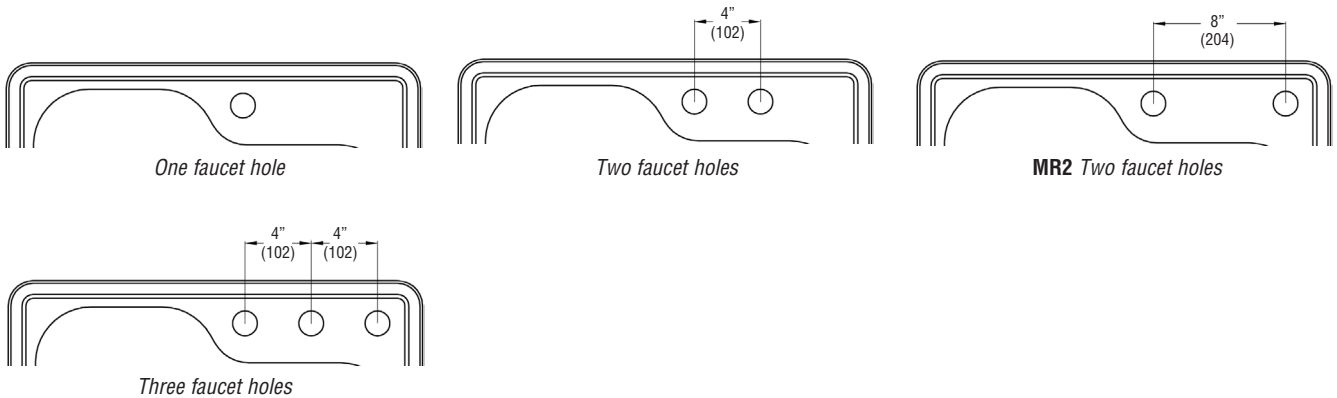
**Codes/Standards**

ASME A112.19.3/CSA B45.4

**Notes**

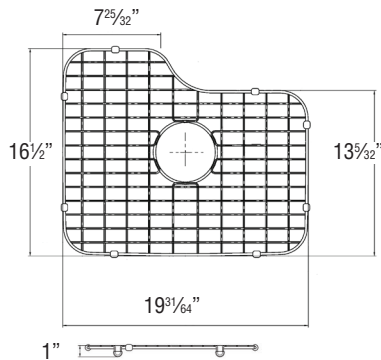
Install this product according to the installation instructions.

**Faucet Hole Configurations available for this sink model**

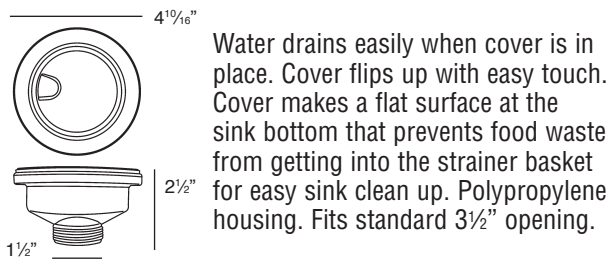


**Optional Accessories**

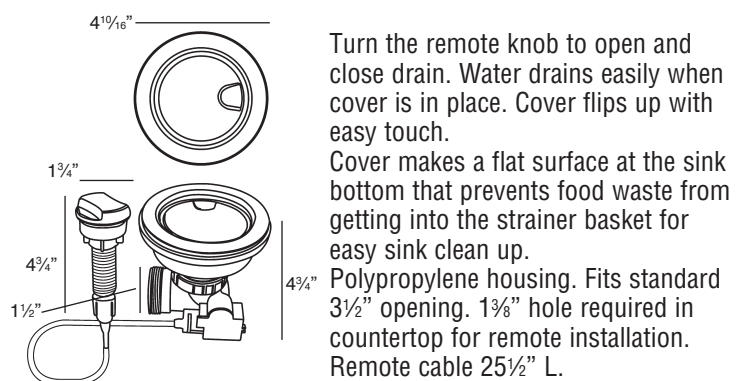
**TSGM25221 Bottom Sink Grid**



**2210R Covered Flip Top Sink Strainer.**



**2310 Remote Covered Flip Top Sink Strainer.**



**4010 Covered Flip Top Disposer Strainer.**

