

Features

- 32⁴³/₆₄" (832) x 19⁴⁵/₆₄" (500) x 9²⁹/₃₂" (252) kitchen sink.
- Sink is glazed on all four exterior sides. Suitable for undermount, flush mount, built-up, or above counter installation.
- Double equal compartments.
- Farmhouse style with a wrap around 9²⁹/₃₂" (252) high apron front.
- Front panel is reversible. French pattern on one side, Fluted front pattern on other side.
- Made of highest grade fireclay, which is clay heated to an extremely high 1600° making the sink hard and durable, with a beautiful high shine.
- Durability of fireclay means it is resistant to scratches and chips and is easy to clean.
- Extra deep bowls means more room for big pots.
- Fits 36" (914) minimum base cabinet width.

Components

Product includes:
Installation Instructions

Options

- TSGF33202 Stainless Steel Bottom Sink Grid Set
- 2210R Covered Sink Strainer
- 4010 Covered Disposer Strainer

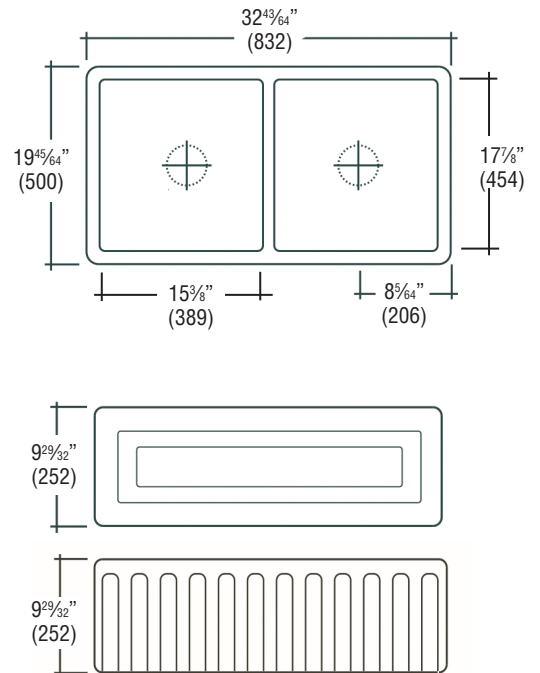
Warranty

- Lifetime Limited Warranty



Specified Model

Model	FUDH332010
Overall Dimensions	L32 ⁴³ / ₆₄ " x W19 ⁴⁵ / ₆₄ " x D9 ²⁹ / ₃₂ " 832 x 500 x 252
Bowl Dimensions (Left)	L15 ³ / ₈ " x W17 ⁷ / ₈ " x D9 ¹ / ₂ " 391 x 454 x 241
Bowl Dimensions (Right)	L15 ³ / ₈ " x W17 ⁷ / ₈ " x D9 ¹ / ₂ " 391 x 454 x 241
Drain holes:	3 ⁵ / ₈ " (92mm)
Shipping Weight	100.3 lbs. 45.5 kg.
Material	Fireclay
Color	White
Installation	under counter mounted
Required	template, included



Codes/Standards

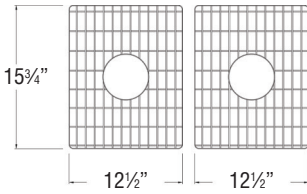
ASME A112.19.3/CSA B45.4

Notes

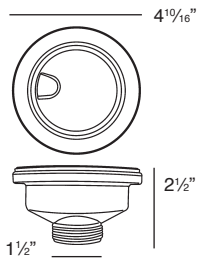
Install this product according to the installation instructions.

Optional Accessories

TSGF33202 Bottom Sink Grid Set

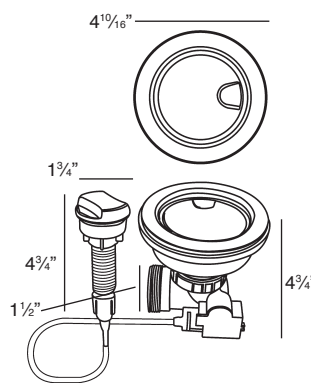


2210R Covered Flip Top Sink Strainer.



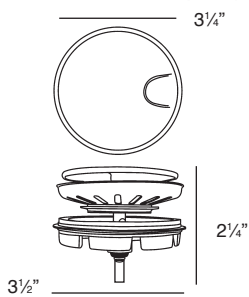
Water drains easily when cover is in place. Cover flips up with easy touch. Cover makes a flat surface at the sink bottom that prevents food waste from getting into the strainer basket for easy sink clean up. Polypropylene housing. Fits standard 3 1/2" opening.

2310 Remote Covered Flip Top Sink Strainer.



Turn the remote knob to open and close drain. Water drains easily when cover is in place. Cover flips up with easy touch. Cover makes a flat surface at the sink bottom that prevents food waste from getting into the strainer basket for easy sink clean up. Polypropylene housing. Fits standard 3 1/2" opening. 1 3/8" hole required in countertop for remote installation. Remote cable 25 1/2" L.

4010 Covered Flip Top Disposer Strainer.



Water drains easily when cover is in place. Cover flips up with easy touch. Polypropylene housing. Top mount installation for 3 1/2" opening.