



**Features**

- 32<sup>13</sup>/<sub>32</sub>" (823) x 18<sup>7</sup>/<sub>64</sub>" (460) x 5" (127) undermount kitchen sink
- Double equal compartments
- 18 gauge 304 stainless steel
- ADA compliant
- Rear center drain location
- Brushed finish
- 3<sup>61</sup>/<sub>64</sub>" (100) corner radius
- Superior undercoating for added sound insulation
- 3mm sound deadening pads on 4 sides and bottom
- Up to 3x heavier than competitive models
- Fits 36" base cabinet width

**Components**

- Product includes:  
Cutout Template  
Installation Hardware  
Installation Instructions

**Options**

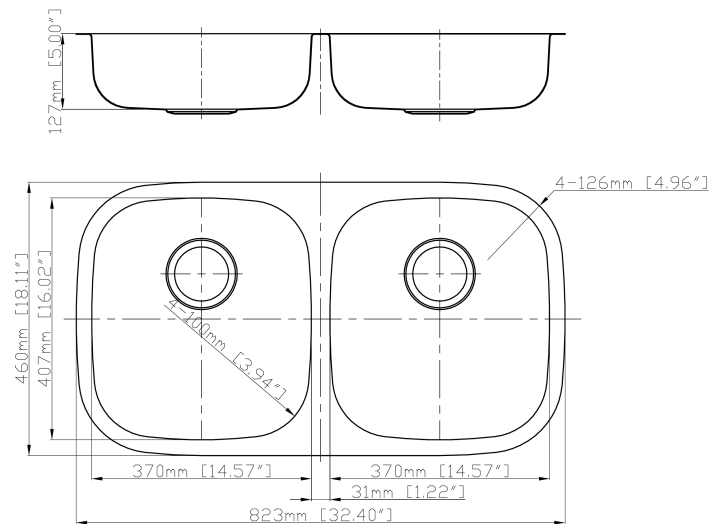
- 2210R Covered Sink Strainer
- 4010 Covered Disposer Strainer
- 2310 Remote Covered Sink Strainer
- TMAK Magnetic Accessories Kit
- TSGM3218E2 Stainless Steel Bottom Sink Grid Set

**Warranty**

- Lifetime Limited Warranty



Model	CUDE32188
Overall Dimensions	L32 <sup>13</sup> / <sub>32</sub> " x W18 <sup>7</sup> / <sub>64</sub> " x D5" 823 x 460 x 127
Bowl Dimensions (Left)	L14 <sup>9</sup> / <sub>16</sub> " x W16 <sup>1</sup> / <sub>32</sub> " x D5" 370 x 407 x 127
Bowl Dimensions (Right)	L14 <sup>9</sup> / <sub>16</sub> " x W16 <sup>1</sup> / <sub>32</sub> " x D5" 370 x 407 x 127
Drain holes:	3 <sup>5</sup> / <sub>8</sub> " (92mm)
Shipping Weight	20 lbs.
Material	18 gauge 304 stainless steel
Installation	under counter mounted
Required	template, included



**Codes/Standards**

ASME A112.19.3/CSA B45.4



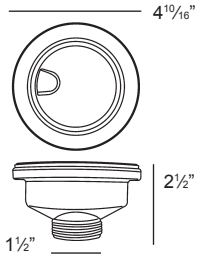
This sink is compliant to ADA and ANSI/ICC A117.1 accessibility requirements when installed according to the requirements outlined in these standards.

**Notes**

Install this product according to the installation instructions.

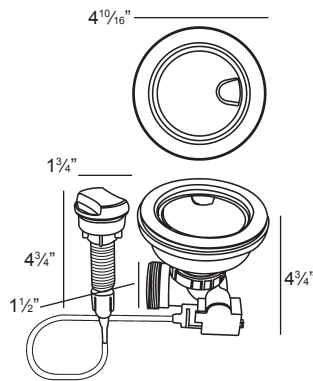
**Optional Accessories**

2210R Covered Flip Top Sink Strainer.



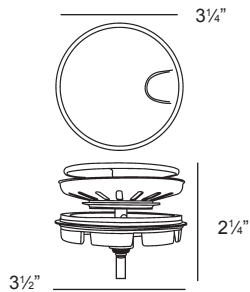
Water drains easily when cover is in place. Cover flips up with easy touch. Polypropylene housing. Fits standard 3<sup>1</sup>/<sub>2</sub>" opening.

2310 Remote Covered Flip Top Sink Strainer.



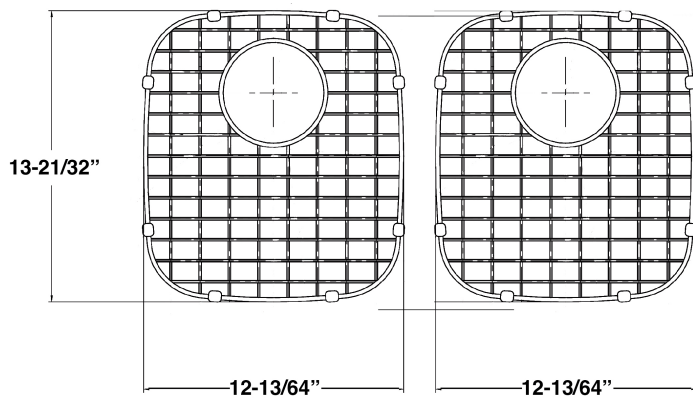
Turn the remote knob to open and close drain. Water drains easily when cover is in place. Cover flips up with easy touch. Polypropylene housing. Fits standard 3<sup>1</sup>/<sub>2</sub>" opening. 1<sup>3</sup>/<sub>8</sub>" hole required in countertop for remote installation. Remote cable 25<sup>1</sup>/<sub>2</sub>" L.

4010 Covered Flip Top Disposer Strainer.



Water drains easily when cover is in place. Cover flips up with easy touch. Polypropylene housing. Top mount installation for 3<sup>1</sup>/<sub>2</sub>" opening.

TSGM3218E2 Sink Grid Set



TMAK Magnetic Accessories Kit

