



transolid kitchen sinks Aversa® Series silQ®granite AUDE3219

32" x 19" Equal Double

FEATURES

- 32" x 19 $\frac{1}{16}$ " x 9 $\frac{1}{2}$ " equal double bowls.
- Under counter mount kitchen sink. The rim of the sink is under neath the countertop.
- Transolid silQ®granite sinks are by made with the union of natural granite and acrylic resin. The result gives our sinks high resistance to high temperatures, scratches, dents and chips, as well as impacts and violent shocks.
- The non-porous surface is resistant to bacteria growth and reduces the need for cleaning with harsh chemicals and is 100% food safe.
- 10 Year Limited Residential Warranty
3 Year Commercial Warranty

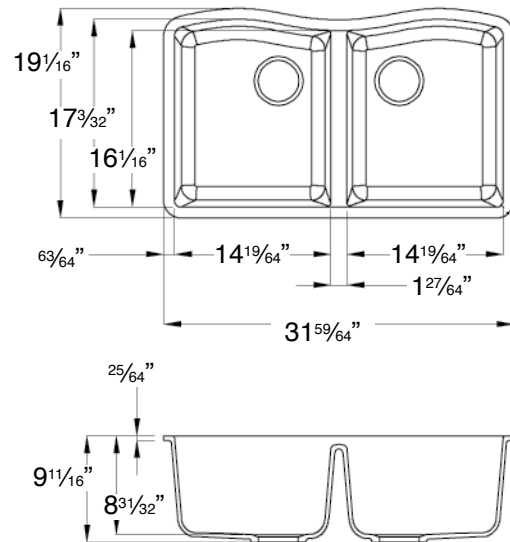


COLORS

- 5 Colors

Specified Model

Model	AUDE3219
Overall Dimensions	L32" x W19 $\frac{1}{16}$ " x D9 $\frac{1}{2}$ "
Left Bowl Dimensions	L14 $\frac{19}{64}$ " x W17 $\frac{3}{32}$ " x D8 $\frac{31}{32}$ "
Right Bowl Dimensions	L14 $\frac{19}{64}$ " x W17 $\frac{3}{32}$ " x D8 $\frac{31}{32}$ "
Faucet Holes	0
Shipping Weight	50 lbs.
Material	Granite
Installation	under counter mounted
Required	2 basket strainers not supplied



To Be Specified:

	COLOR
<input type="checkbox"/>	01 White
<input type="checkbox"/>	09 Black
<input type="checkbox"/>	12 Espresso
<input type="checkbox"/>	16 Cafe Latte
<input type="checkbox"/>	17 Grey

KITCHEN SINKS