



transolid kitchen sinks Aversa® Series silQ®granite AUDD3120

FEATURES

- 31½" x 20½" x 9½" double bowls. D-shape large bowl.
- Under counter mount kitchen sink. The rim of the sink is under neath the countertop.
- Transolid silQ®granite sinks are by made with the union of natural granite and acrylic resin. The result gives our sinks high resistance to high temperatures, scratches, dents and chips, as well as impacts and violent shocks.
- The non-porous surface is resistant to bacteria growth and reduces the need for cleaning with harsh chemicals and is 100% food safe.
- 10 Year Limited Residential Warranty
3 Year Commercial Warranty

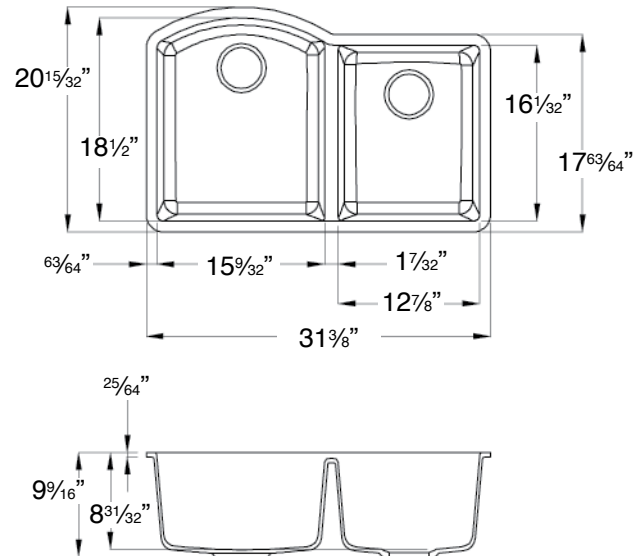
COLORS

- 5 Colors



Specified Model

Model	AUDD3120
Overall Dimensions	L31½" x W20½" x D9½"
Left Bowl Dimensions	L15 ⁹ / ₃₂ " x W18½" x D8 ¹³ / ₁₆ "
Right Bowl Dimensions	L12 ⁷ / ₈ " x W16 ¹ / ₃₂ " x D8 ¹³ / ₁₆ "
Faucet Holes	0
Shipping Weight	53 lbs.
Material	Granite
Installation	under counter mounted
Required	2 basket strainers not supplied



To Be Specified:

	COLOR
<input type="checkbox"/>	01 White
<input type="checkbox"/>	09 Black
<input type="checkbox"/>	12 Espresso
<input type="checkbox"/>	16 Cafe Latte
<input type="checkbox"/>	17 Grey

KITCHEN SINKS