

TRENCH DRAIN INSTALLATION MANUAL

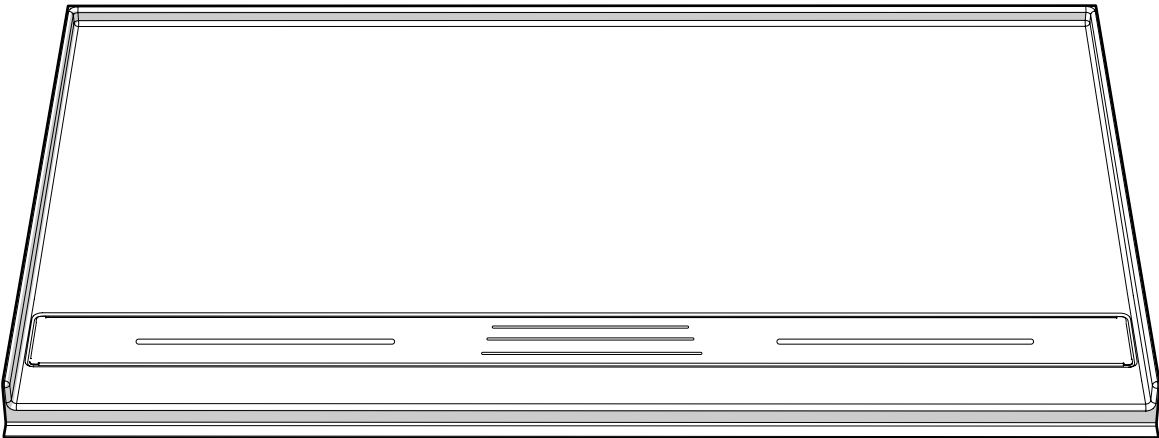
48" X 36" MODEL # FTD4836-31

60" X 30" MODEL # FTD6030-31

60" X 32" MODEL # FTD6032-31

60" X 34" MODEL # FTD6034-31

60" X 36" MODEL # FTD6036-31



ATTACH YOUR RECEIPT HERE

Purchase Date _____

Questions, problems, missing parts?

Call our customer service department at 1-800-766-2452, 8 a.m. - 5 p.m., EST, Monday - Friday

- **Table of Contents**

IMPORTANT	2
CARE FOR YOUR ACRYLIC SHOWER BASE.....	2
TOOLS AND MATERIALS REQUIRED.	3
SPECIFICATION.	4
TYPE OF INSTALLATION.	5
1. PREPARE DRAINING PIPE.....	6
2. INSTALL THE DRAIN.	6
3. LEVELING THE BASE.	7
4. TESTING THE DRAINAGE.....	7
5. FASTEN THE BASE.	8
6. FINISHING.....	8
FINISHING (CONTINUED).....	9

- **IMPORTANT**

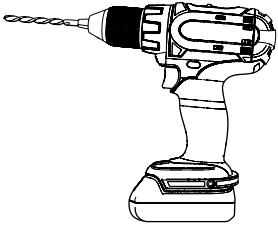
- *Read this manual carefully and completely before proceeding.*
- *It is recommended that you wear safety glasses at all times during the installation.*
- *This product is covered with a protective film; Do not remove it until the installation is completed to provide additional protection. However, do remove film where two surfaces are in permanent contact during the installation.*
- *Prior to installation of the base, all framing and plumbing work must be completed by a qualified professional in accordance with local established building codes. For renovation work, existing shower surfaces must be removed to accommodate framing requirements. Ensure that outer wall are properly insulated, and that a vapor barrier has been installed in accordance with local established building codes.*

- **Care for your Acrylic Shower Base**

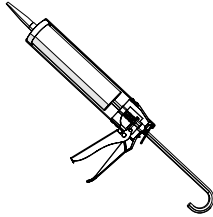
- *In order to protect the acrylic surface of your base, never use scouring powder pads or other strong solvents. Only clean it with a mild detergent diluted in water or a detergent formulated specifically for acrylic.*

Product specifications are subject to change without notice. Use the installation instructions supplied with the product.

TOOLS AND MATERIALS REQUIRED.



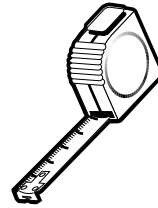
DRILL



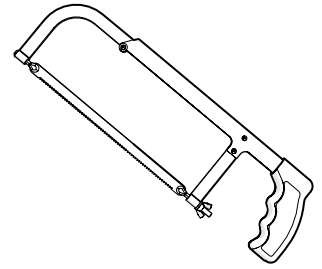
SILICONE



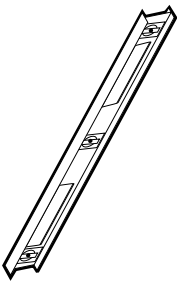
PENCIL



TAPE MEASURE



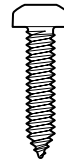
HACKSAW (bi-metal blade)



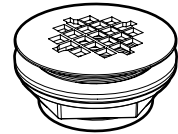
LEVEL



**FLOOR LEVELING COMPOUND
or MORTAR**

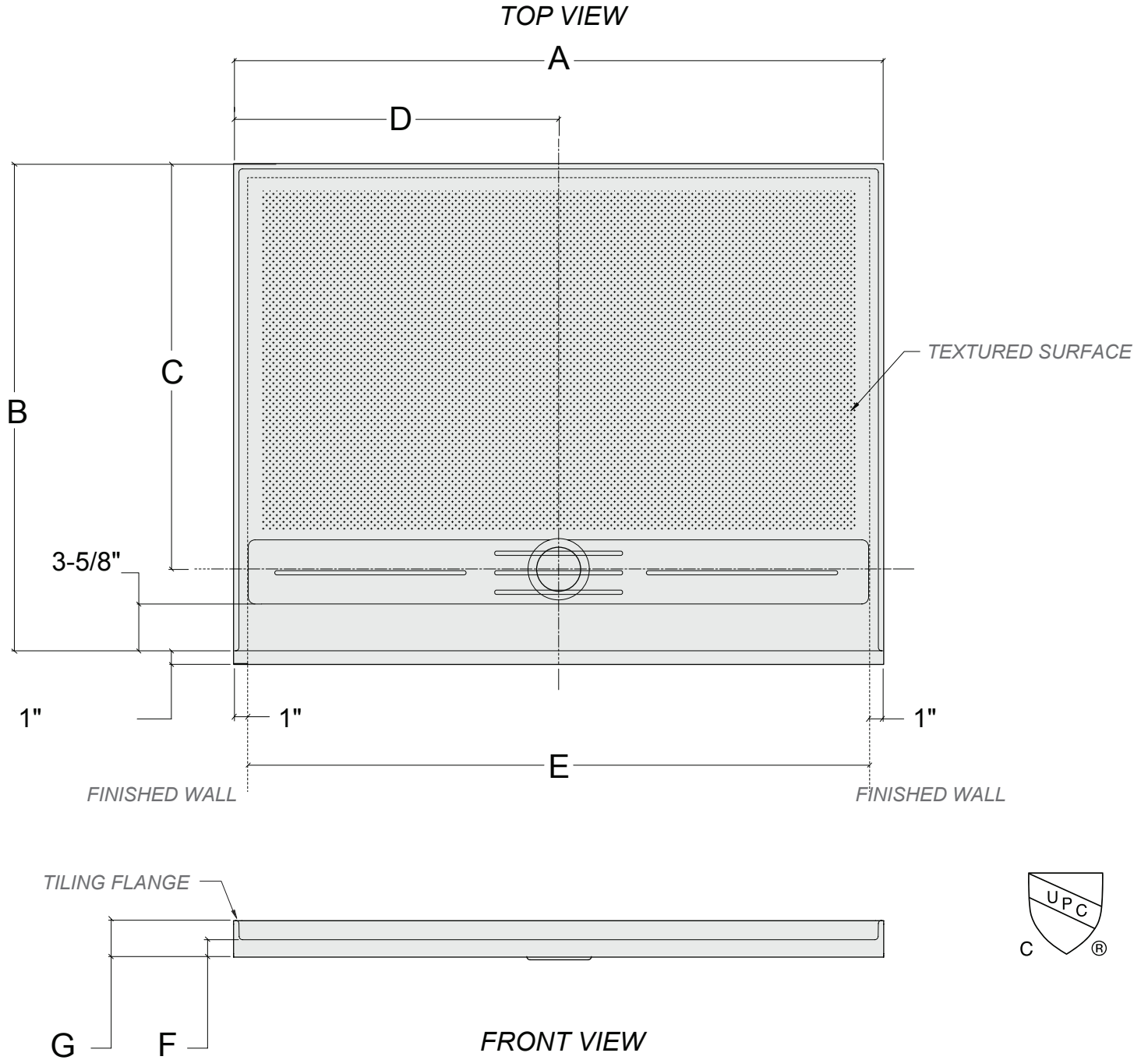


SCREW #8 1 1/4"
(Stainless steel screws recommended)



DRAIN

SPECIFICATION

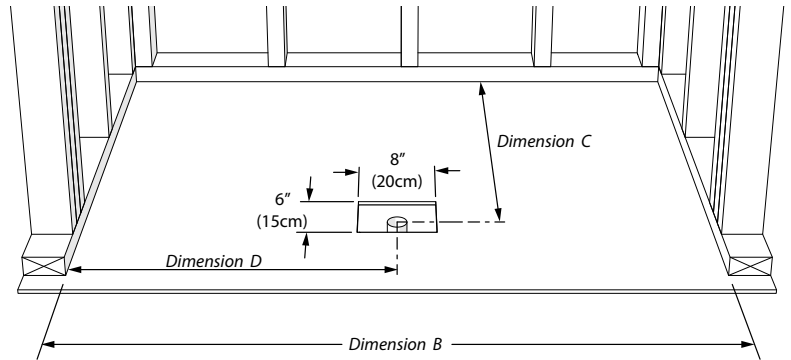


Dimensions

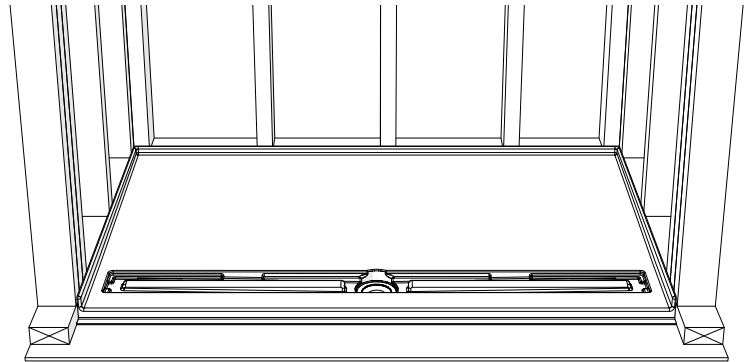
Model	A	B	C	D	E	F	G
FTD4836	49-1/2"	37-1/2"	30.75"	24.75"	47.5"	1-3/16"	4"
FTD6030	61-1/2"	31-1/2"	24.75"	30.75"	59.6"	1-3/16"	4"
FTD6032	61-1/2"	33-1/2"	26.75"	30.75"	59.6"	1-3/16"	4"
FTD6034	61-1/2"	35-1/2"	28.75"	30.75"	59.6"	1-3/16"	4"
FTD6036	61-1/2"	37-1/2"	30.75"	30.75"	59.6"	1-3/16"	4"

1 PREPARING DRAIN

1A. [Make a cutout in the floor [approx. 8" x 6" (20cm x 15cm)] to accommodate plumbing. See specification for base dimensions. Verify your base for final dimensions.



1B. Position base. Verify that the draining location matches the actual location of the base drain. Remove the base.

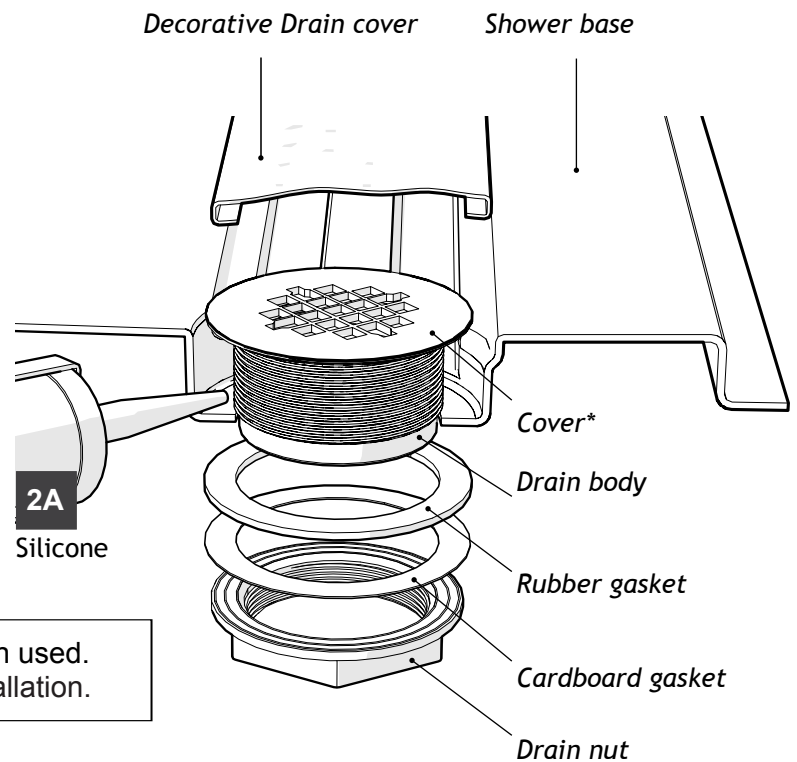


2 INSTALL THE DRAIN.

2A. Prior to installing the drain on the base, run a bead of silicone between the drain body and shower base.

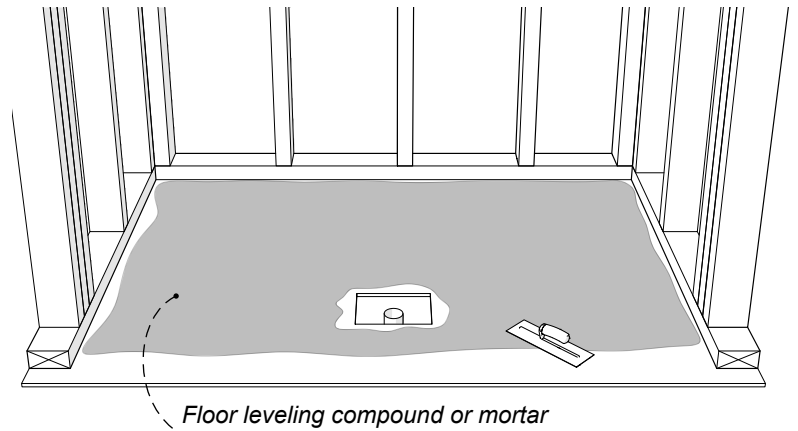
Drain not included

Components might vary according to the model of drain used. Refer to manufacturer's instructions for the proper installation.

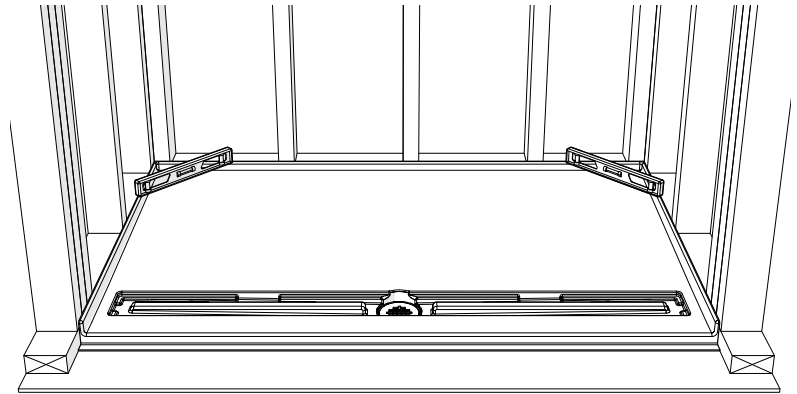


3 LEVELING THE BASE

3A. Level the floor over the entire surface of the base installation.

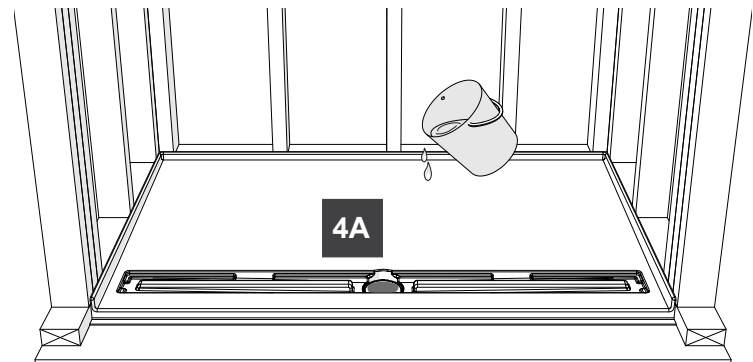


3B. Lower base over center of draining pipe and set into place. Apply pressure to ensure that the leveling compound is in contact with the entire bottom surface of the base. Verify that the base is level.



4 TESTING THE DRAINAGE

4A. Once the drain is connected, plug the drain and fill the base with a small amount of water.



4B. Check for any leakage around the drain (some bubbles may appear) and below (if you have access to).

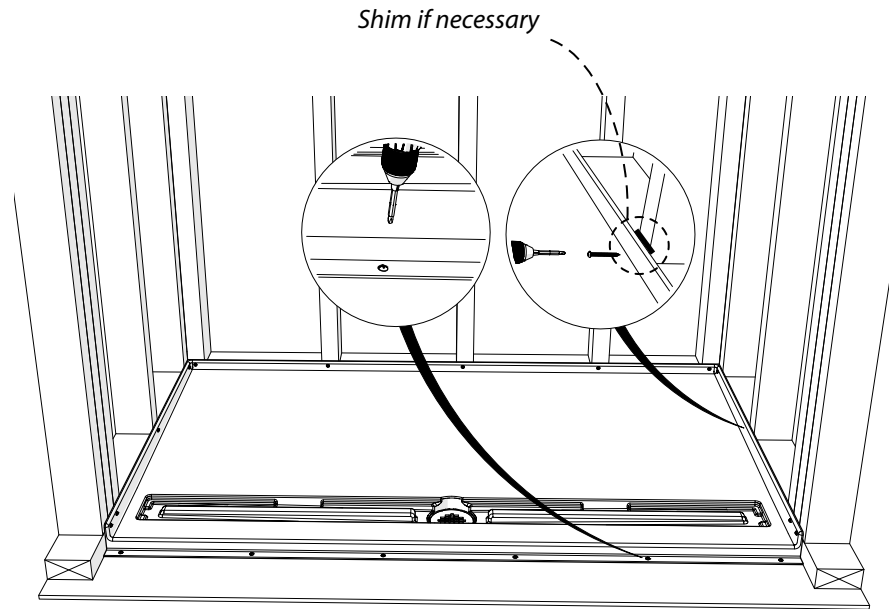
4C. Unplug the drain and assure that the drainage is efficient. There must be no large puddle of water accumulation in the base.



If water doesn't drain properly even though the base is leveled, do not continue this installation. Please remove the base and return it to your dealer for exchange.

5 FASTEN THE BASE

5. Fasten base to studs and to subfloor using #8 x 1 1/4" screws (stainless steel screws recommended)



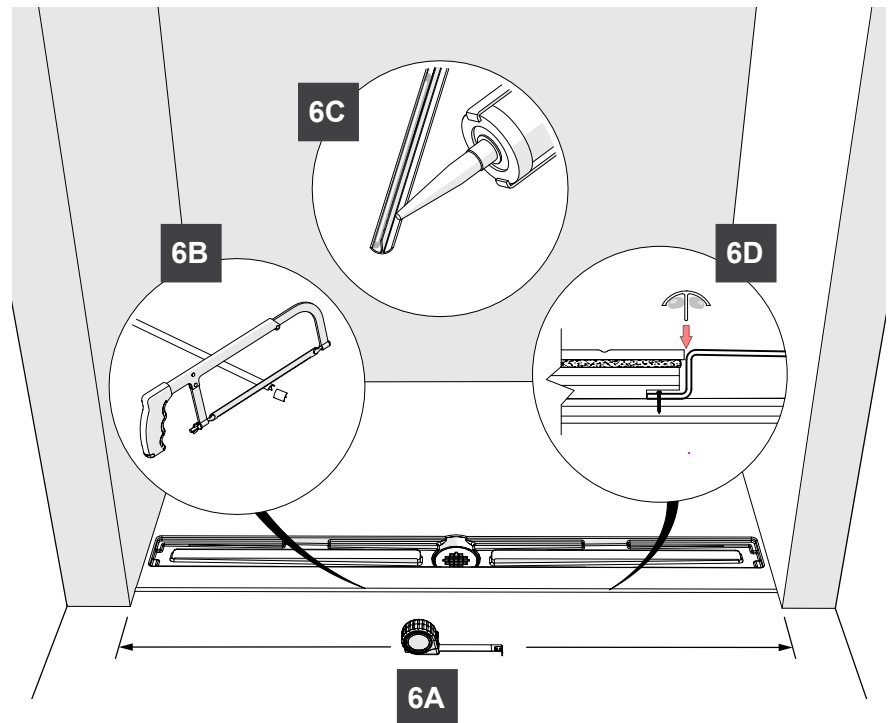
6 FINISHING

6A. Measure your finished wall opening.

6B. Cut the aluminium edge trim to match the finished wall opening.

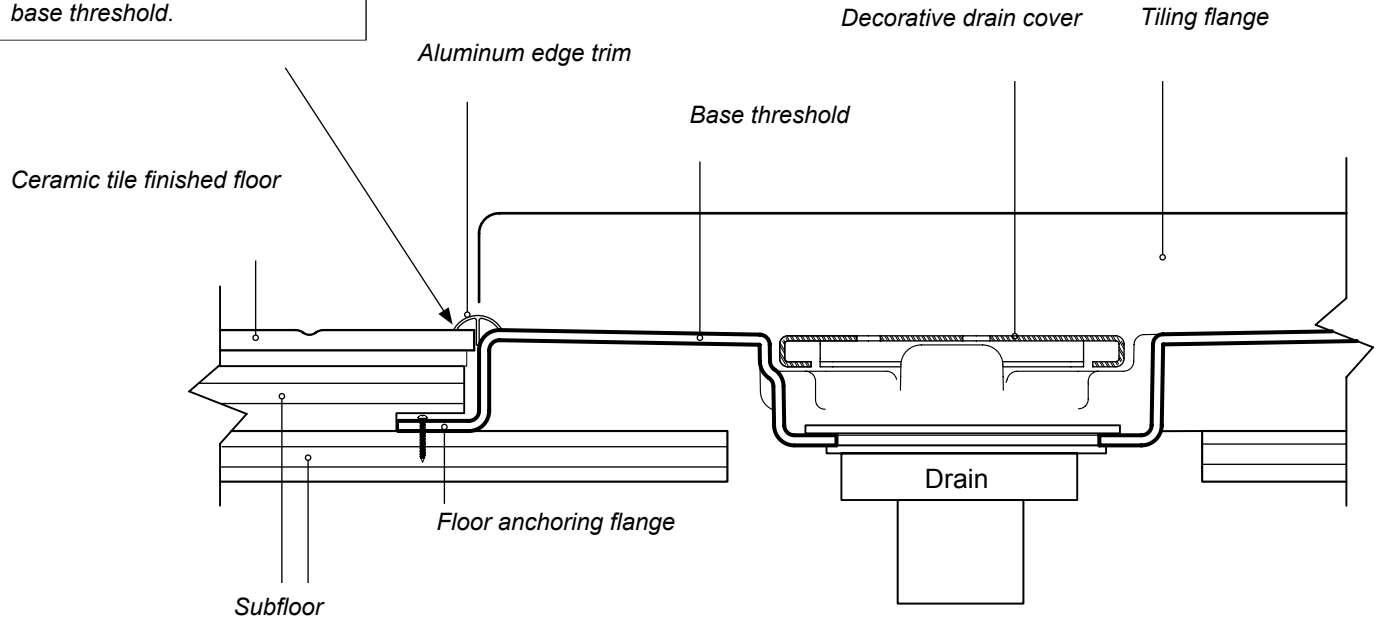
6C. Flip the aluminium edge trim and apply a line of silicone sealant along the channels.

6D. Insert the aluminium edge trim into the gap between the threshold of the base and the finished floor.



7 FINISHING (CONTINUED)

Build finished floor flush with base threshold.



Tips to achieve a professional looking and watertight finish.

