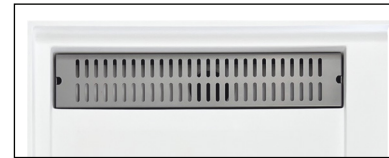


FEATURES

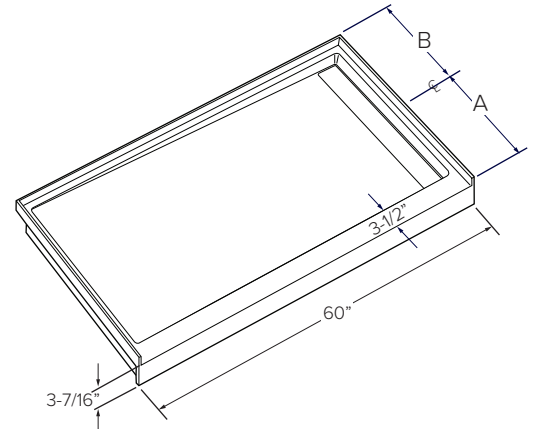
- Solid material all the way through which is cast as a single piece.
- Aluminum Hydroxide (Bauxite) combined with pure acrylic polyester resin creates a homogeneous material that is super dense and consistent throughout the base. This results in a product that is easy to repair, soft to the touch and contains gentle matte surfaces that will not support bacteria growth.
- 3-7/16" curb height for a sleek, modern look.
- A wide 3-1/2" threshold depth to hold the modern barn door style shower doors. Also includes an integral 1" high tiling flange for a waterproof installation.
- Finely textured slip-resistant surface.
- Heavy Duty type 304 stainless steel covered drain cover, conceals a standard shower drain. Drain not included.
- 10 Year Limited Residential Warranty / 3 Year Commercial Warranty



Heavy Duty
Stainless Steel
Drain Cover

Specified Model

	SIZE	Drain Location		Length	Width	HT.	A	B
		Left	Right					
<input type="checkbox"/>	60" x 30"	FSC6030L	FSC6030R	60"	30"	3-7/16"	16"	14"
<input type="checkbox"/>	60" x 32"	FSC6032L	FSC6032R	60"	32"	3-7/16"	17"	15"
<input type="checkbox"/>	60" x 34"	FSC6034L	FSC6034R	60"	34"	3-7/16"	18"	16"



To Be Specified: Color

<input type="checkbox"/>	01 White			
<input type="checkbox"/>	87 Concrete	White 01	Concrete 87	Cameo 02
<input type="checkbox"/>	02 Cameo			

Compliance Certifications - Meets or Exceeds the Following Specifications

- IGC 154-2012
- ASME A112.18.1 / CSA B125.125.1-11
- IAPMO
- cUPC® 

