

**Features:**

- 26" (600) x 19" (482) x 11" (279) undermount kitchen sink.
- Single compartment.
- Handcrafted from 14 gauge 304 stainless steel. Channel grooves in sink bottom direct water to drain. Premium brushed finish.
- Beveled ledge around the top inside edge of the sink. The ledge allows a cutting board, colander and other accessories to easily glide across the length of the sink.
- Exclusive SinkPocket™ in front is hidden from view and makes great storage for sponges, brushes and other kitchen tools used daily.
- Includes a stainless steel bottom sink grid and matching basket sink strainer.
- Tight 3/16" (5mm) radius corners.
- 7mm sound deadening pads.
- Fits 30" (762) base cabinet width.

**Components**

Product includes:

- PUSB261911GM Bottom Sink Grid
- Matching Basket Strainer
- Cutout Template
- Installation Hardware
- Installation Instructions

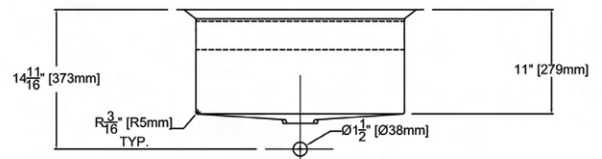
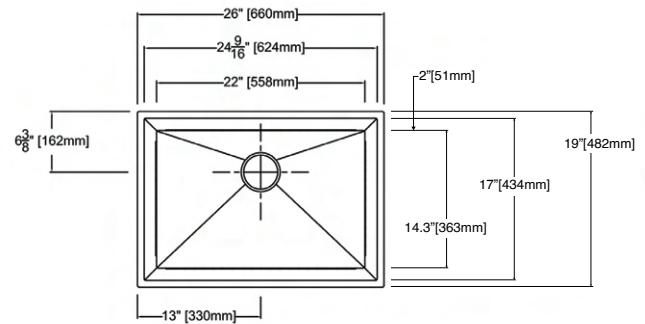


**Warranty**

- Lifetime Limited Warranty

**Specified Model**

Model	PUSB261911GM
Overall Dimensions	L26" x W19" x D11" 600 x 482 x 279
Bowl Dimensions	L22" x W14.3" x D11" 558 x 363 x 279
Drain hole:	3 5/8" (92mm)
Shipping Weight	37 lbs.
Material	14 gauge 304 stainless steel
Installation	under counter mounted
Required	template, included



**To Be Specified**

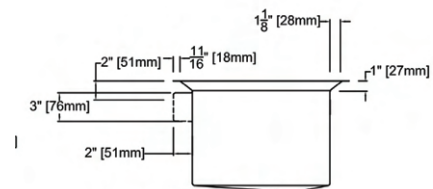
	Color/Finish	Swatch
<input type="checkbox"/>	<b>SB</b> Satin Brass	
<input type="checkbox"/>	<b>GM</b> Gun Metal	

**Codes/Standards**

ASME A112.19.3/CSA B45.4

**Notes**

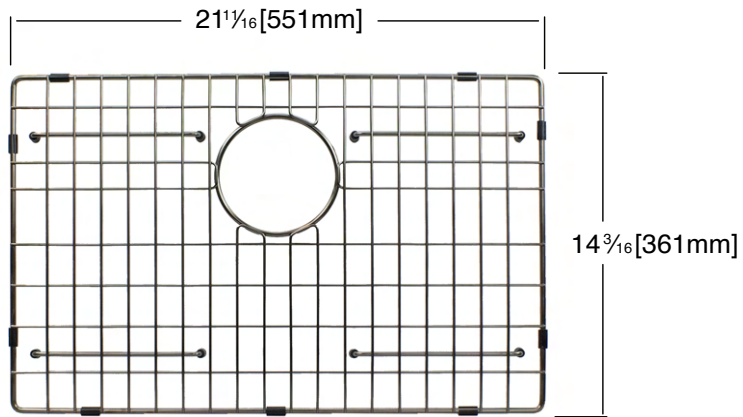
Install this product according to the installation instructions.



**Components**

Product includes:

PUSB15159GM Bottom Sink Grid



**Matching Basket Sink Strainer**



Gun Metal PVD finish strainer  
drains water easily and fits  
standard 3- $\frac{1}{2}$ " opening.