

Features

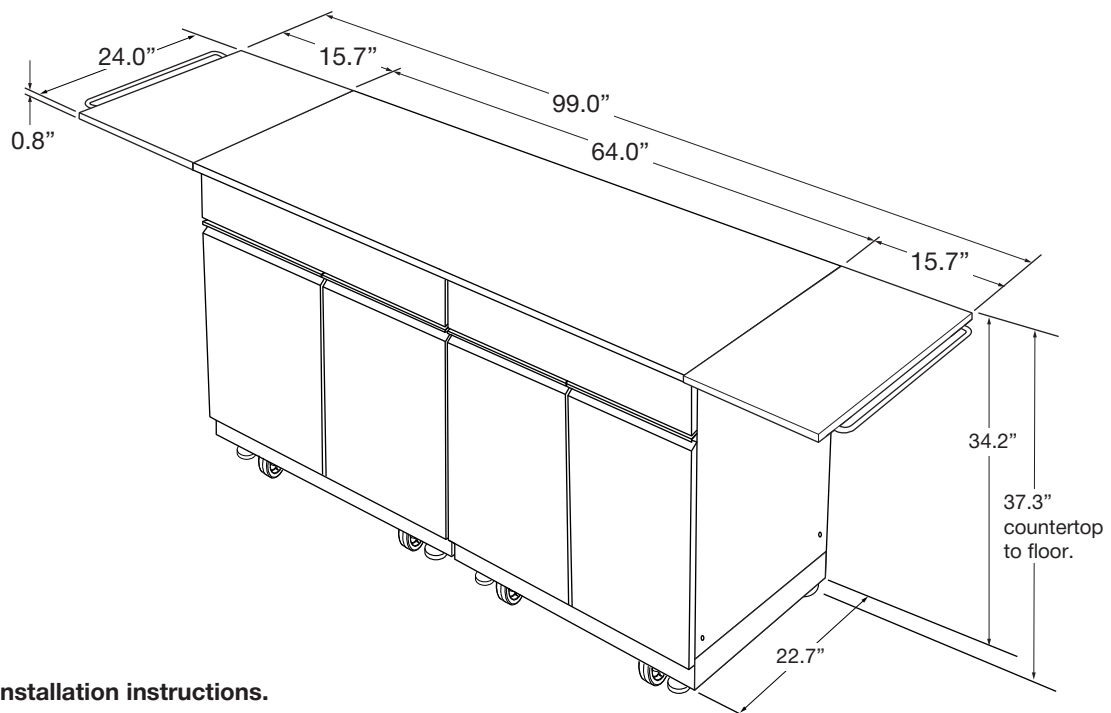
- Two sturdy, double door utility cabinets provide plenty of storage and is constructed of 304 stainless steel.
- Doors feature soft close hinges.
- 64" countertop made from 19 gauge 304 stainless steel.
- Single unit countertop fits over two single utility base units.
- Two stainless steel folding shelves, one on each side of the cabinet, fold down when not in use. 20-1/16" towel rod attached to outside edge of each shelf.
- One internal shelf board included in each cabinet base unit.
- Adjustable feet included for leveling cabinet.
- Four locking swivel casters and four fixed casters.
- UV-resistant. Clean, modern surfaces will not tarnish.
- Stainless steel surfaces resists stains and are easy to clean.

Warranty

- Lifetime Limited Residential Warranty

Specified Model

Model	OUCS6424
Overall Dimensions	W99" x D24" x H37.3" L2514 x W610 x D947.4
Shipping Weight	146 lbs.
Material	0.6mm/304 stainless steel – Cabinet 19 GA./304 stainless steel – Countertop



Codes/Standards

ASME A112.19.3/CSA B45.4

Notes:

Install this product according to the installation instructions.