

## Features

- 67"(1702) x 24"(610) x 50.7"(1286.6)
- Sturdy, double door cabinet provides plenty of storage and is constructed of 304 stainless steel.
- Doors feature soft close hinges.
- Also includes stainless steel sink, faucet and sink strainer.
- Standard outlet hole with drain line make draining easier
- Two stainless steel folding shelves, one on each side of the cabinet, fold down when not in use. 20-1/16" towel rod attached to outside edge of each shelf.
- One internal shelf board included in each cabinet base unit.
- Adjustable feet included for leveling cabinet.
- Two locking swivel casters and two fixed casters.
- 3 pre-punched holes on back wall and bottom of cabinet for plumbing and drainage options.
- 90° folded faucet spout can be oriented horizontal or vertical.
- UV-resistant. Clean, modern surfaces will not tarnish.
- Stainless steel surfaces resists stains and are easy to clean.

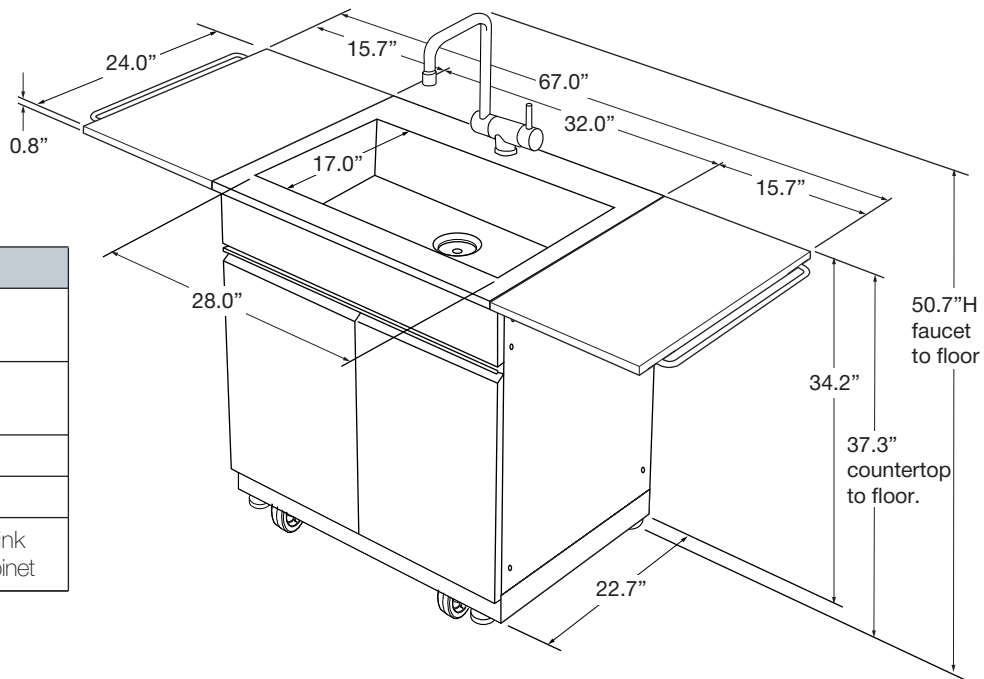


## Warranty

- Lifetime Limited Residential Warranty

## Specified Model

Model	OSCS3224
Overall Dimensions	W67" x D24" x H50.7" L1702 x W610 x D1286.6
Bowl Dimensions	L32" x W24" x D7" L813 x W610 x D254
Drain Holes	3 <sup>5</sup> / <sub>8</sub> " (92mm)
Shipping Weight	127 lbs.
Material	18 GA./304 stainless steel – Sink 0.6mm/304 stainless steel – Cabinet



## Codes/Standards

ASME A112.19.3/CSA B45.4

## Notes:

Install this product according to the installation instructions.