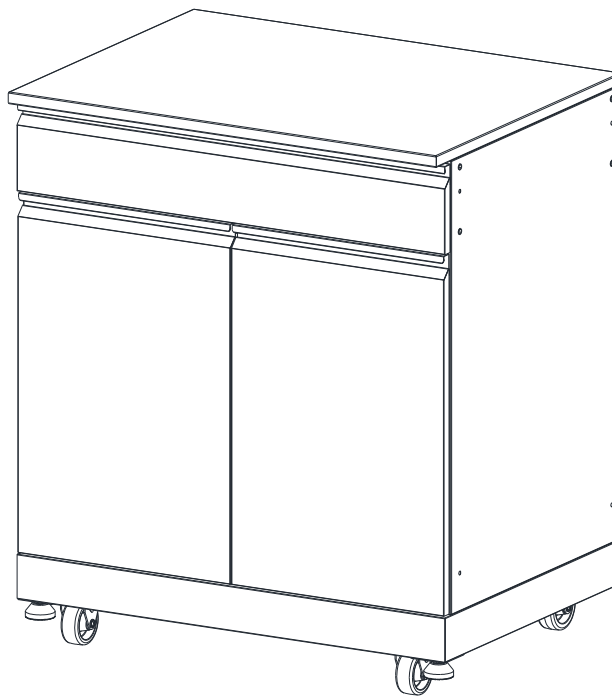


# Use and Care Manual



Stainless steel outdoor cabinet with drawer

MODEL #OBC 3224

**IMPORTANT:**

1. One carton containing cabinet board and hardware.
2. One carton containing 32in worktop.

# Table of Contents

Table of Contents .....	2	Installation .....	6
Safety Information .....	2	Cabinet Assembly .....	6
Pre-Installation .....	3	Weight capacity .....	12
Tools/Materials Required .....	3	Care and Cleaning .....	12
Package Contents .....	4		

# Safety Information

## READ AND SAVE THESE INSTRUCTIONS

1. Inspect your unit before proceeding. Once you unpack your unit, check for chips, scratches, cracks, dents or scuff marks. If any damage is noticed, do not install.
2. Use this unit only in the manner intended by the manufacturer. If you have any questions, contact the manufacturer.
3. Installation work and plumbing must be done by qualified person(s) in accordance with all applicable codes and standards.
4. Protect the entire surface during installation.
5. All holes drilled into the unit must be done from the finished surface side with extreme care and caulked very carefully to form a watertight barrier.



**DANGER:** Always wear safety goggles and gloves in order to avoid personal injury.



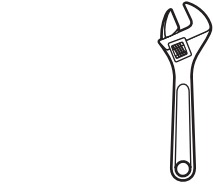
**DANGER:** NEVER allow children to stand, climb or hang on drawers, doors, or shelves.



**DANGER:** NEVER open more than one drawer at a time. Place heaviest items in the lowest drawers.

# Pre-Installation

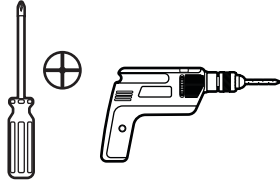
## TOOLS/MATERIALS REQUIRED (NOT SUPPLIED)



Adjustable wrench



Needle nose pliers



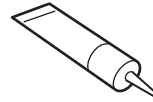
Phillips screwdriver



Utility knife



Pipe wrench



Sealant



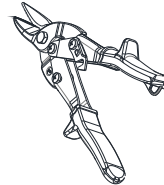
Carpenter's level



Safety goggles



Safety gloves



Tin snip cut

## TOOLS REQUIRED (SUPPLIED)



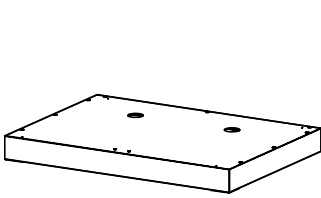
Open end wrench

# Pre-Installation (continued)

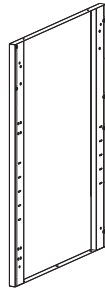
## PACKAGE CONTENTS



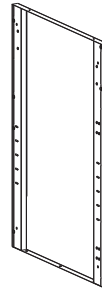
**Warning:** Carefully check the cabinet for damage and/or missing parts prior to installation. If there is any damage or if you are missing parts, do not proceed with the installation. Report damage and/or missing parts immediately to our customer service team. Please do not dispose of packaging before you are satisfied with your new cabinet.



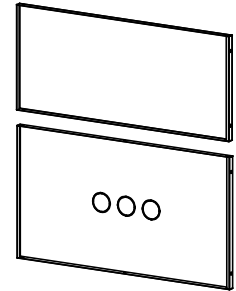
A



B

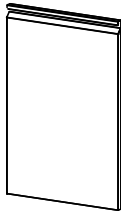


C



E

D



F



G



H



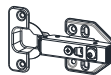
I x 2



J x 2



K x 2



L x 4



M



N



O x 2



P x 37



Q x 4



R x 4



S x 10



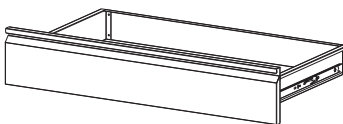
T x 26



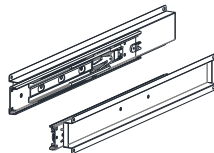
U x 16



W



AA



BB

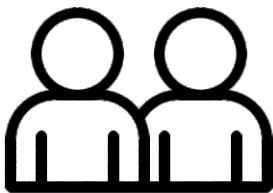


CC

## Pre-Installation (continued)

### PACKAGE CONTENTS

Part	Description	Size	Quantity	Remark
A	Bottom Panel	813x577x76mm	1	
B	Left side panel	556x773x21.5mm	1	
C	Right side panel	556x773x21.5mm	1	
D	Back panel lower part	770x430x20mm	1	
E	Back panel upper part	770x341.5x20mm	1	
F	Left door	403x613x19mm	1	
G	Right door	403x613x19mm	1	
Z	Decoration panel	813x169x36mm	1	
I	Universal caster with brake		2	
J	Fixed caster		2	
K	Supporting leg		2	
L	Door hinge		4	
M	Door barrier strip		1	
N	Shelf board	736x542x20mm	1	
O	Shelf support		2	
P	Phillips hex head screw with washer	M6x15	37	
Q	Flat head step phillips screws	M4x8	4	
R	Nut	M4	4	
S	Philips pan head screw with washer	M4x12	10	
T	Flat head hinge screw	M4x12	26	
U	Self-adhesive screw cover sticker		16	
W	Raincover		1	
AA	Cabinet drawer		1	
BB	Cabinet drawer support		2	
CC	32" Worktop	813x610x20mm	1	



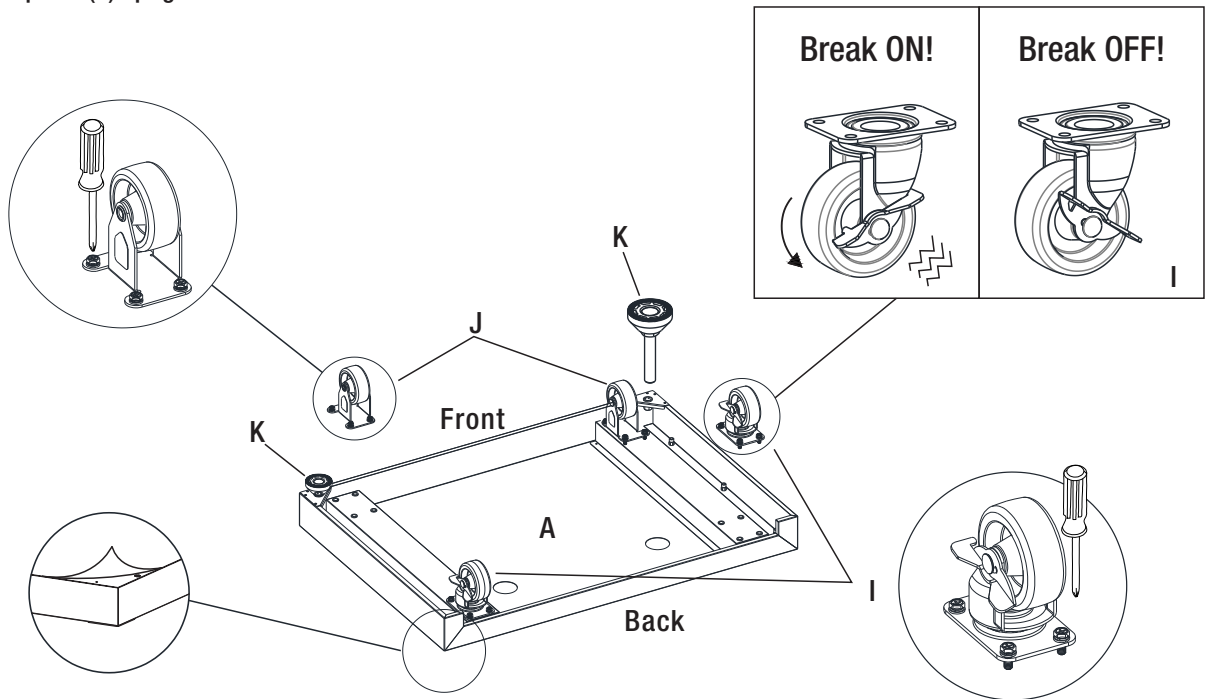
You will need at least two people to install this unit properly.

Estimated Assembly Time: 1 hour

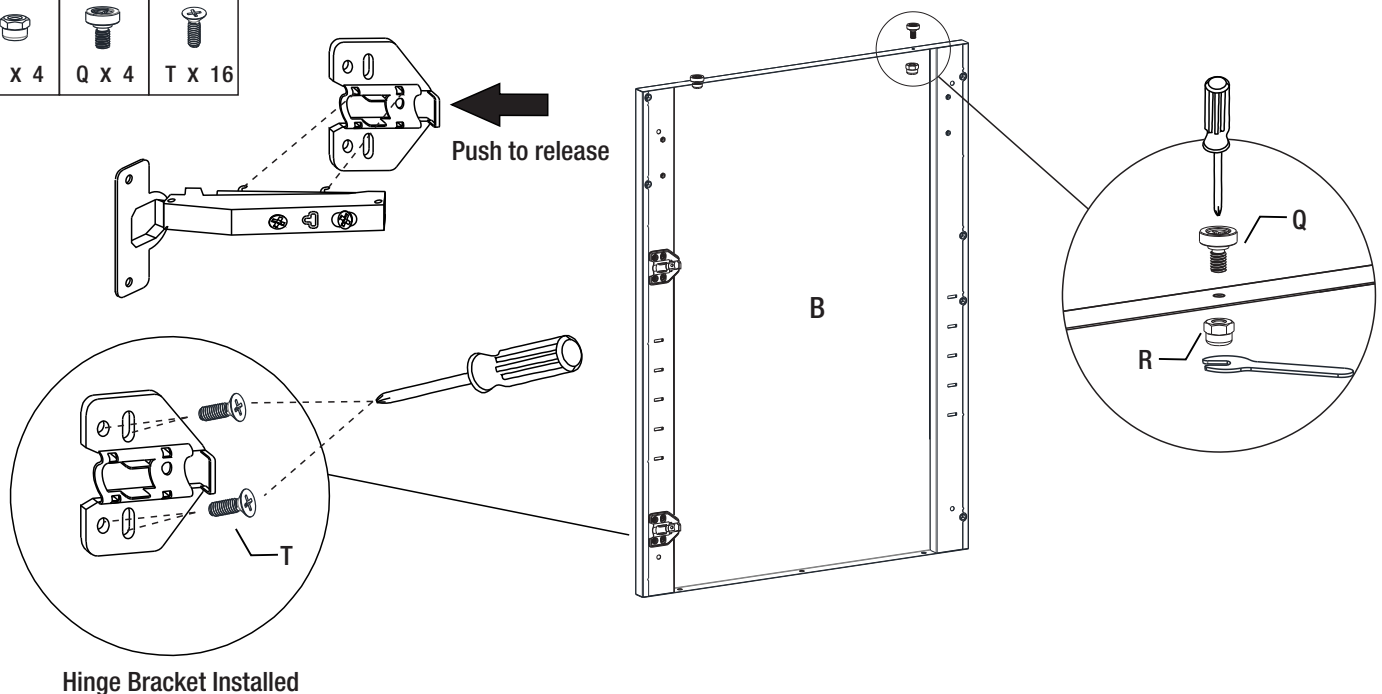
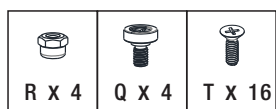
# Installation

## CABINET ASSEMBLY

1. Remove the protect film before installation. Turn the bottom panel (A) over and place it onto a protective surface. Connect fixed caster (J) and universal caster with brake (I) on bottom panel (A) with screw (P). Attached supporting leg (K) on bottom panel (A) and tighten the screw. Gently put the bottom panel (A) upright.

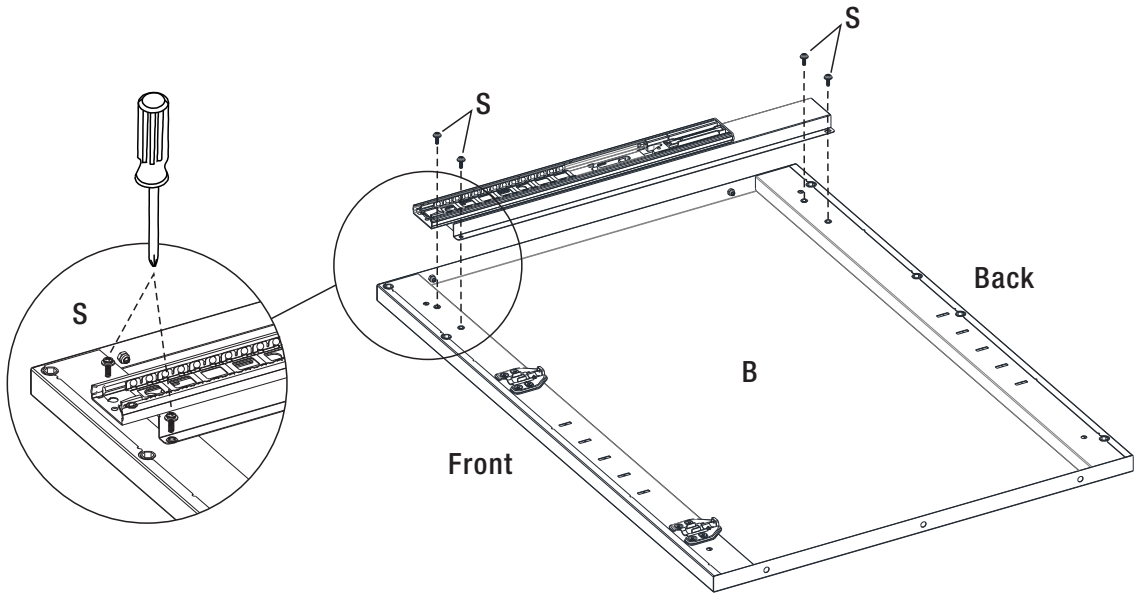


2. Unassemble the door hinges by pushing the button of quick release. Install hinge bracket on the left side panel (B) and right panel (C) with pre-drilled screw holes. Install the screw (Q) and nut (R) by screwdriver and open end wrench on the top of left panel (B) and right panel (C). Do not overtighten.

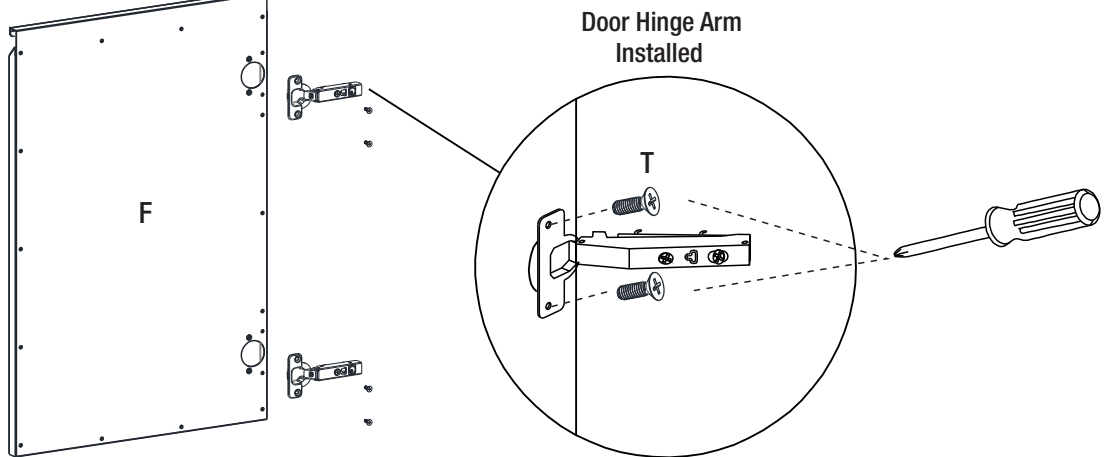


# Installation (continued)

3. Install the cabinet drawer support (W) on the side panel (B) and (C) with screw (S).

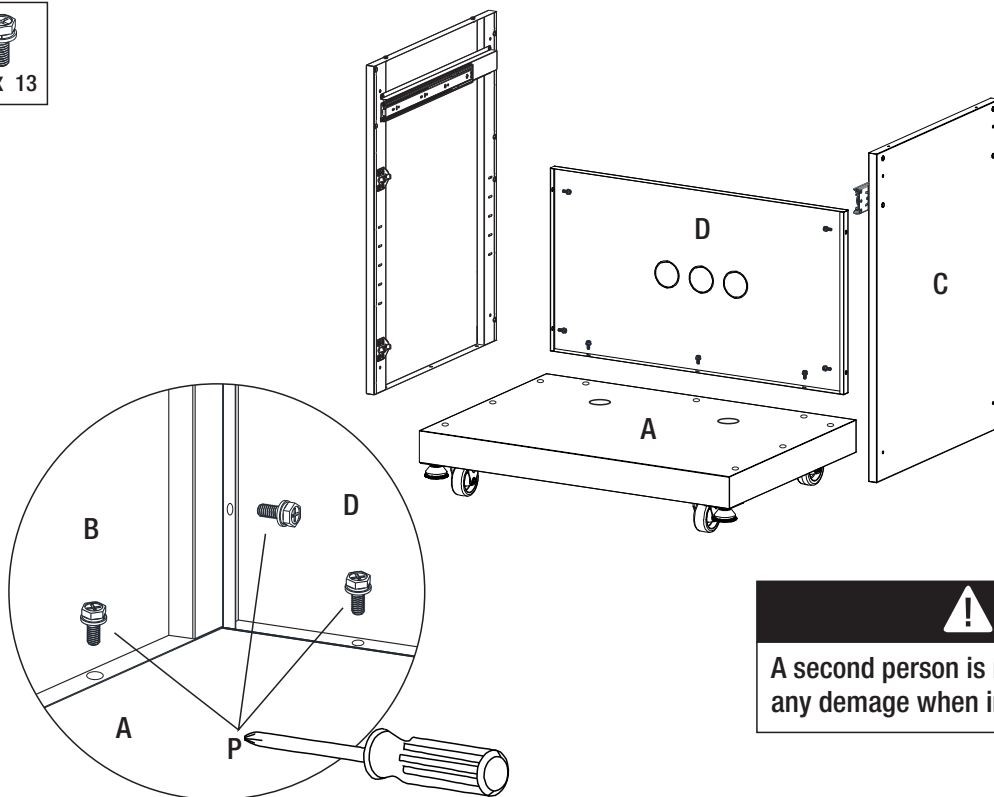


4. Install the door hinge arm on the left door (F) and right door (G).



## Installation (continued)

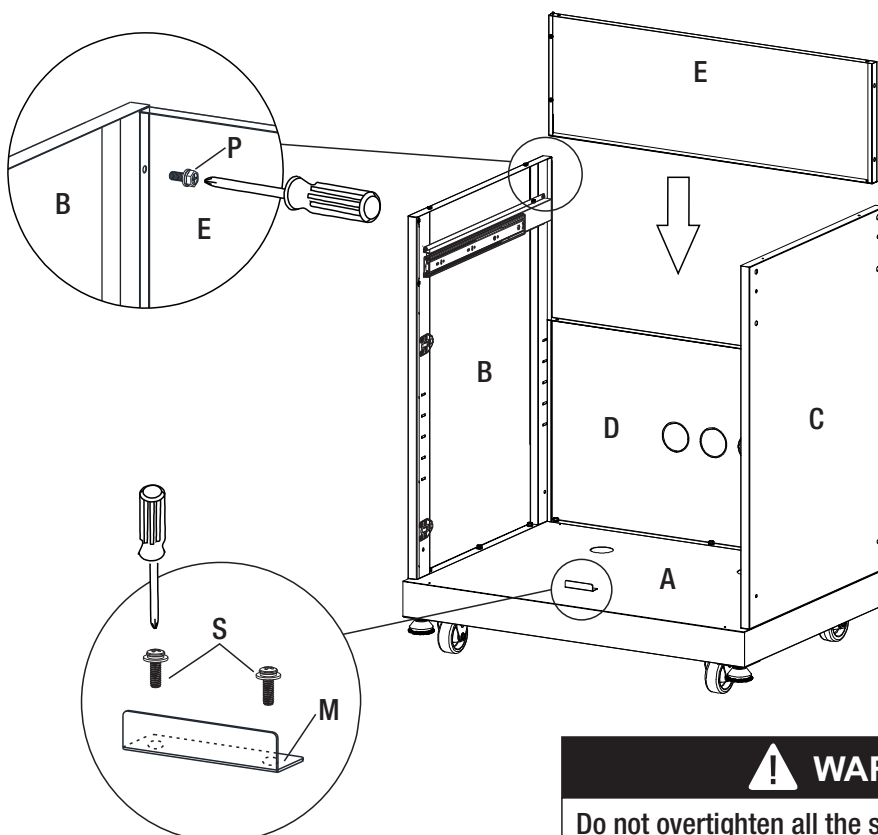
5. Connect the left panel (B), right panel (C) and lower back panel (D) on the bottom panel (A) with screw (P).



### ! WARNING!

A second person is need to hold the panel to avoid any damage when installation.

6. Connect the upper back panel (E) on the lower back panel (D).  
Install the door barner strip (M) on the bottom panel (A).



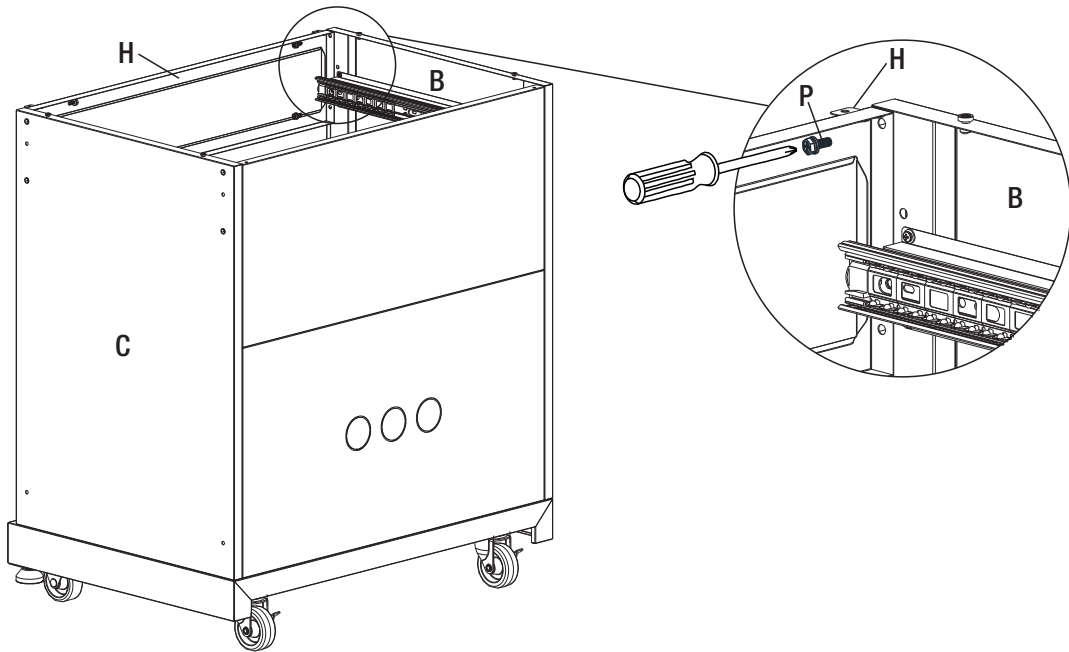
### ! WARNING!

Do not overtighten all the screws until parts are lined up.



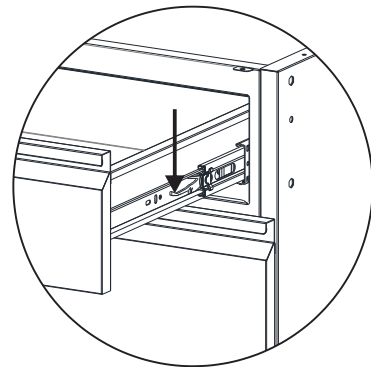
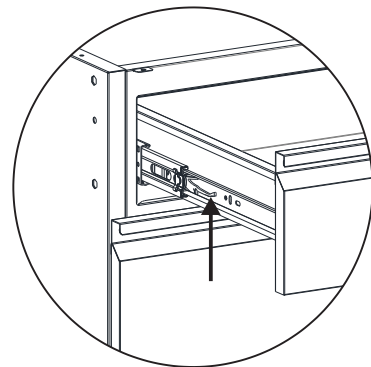
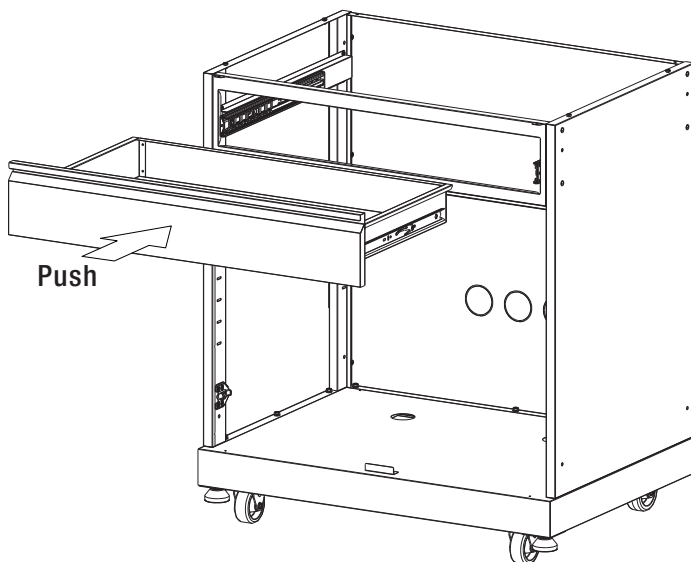
# Installation (continued)

7. Connect the decoration panel (H) with left side panel (B) and right side panel (C) with screws (P).



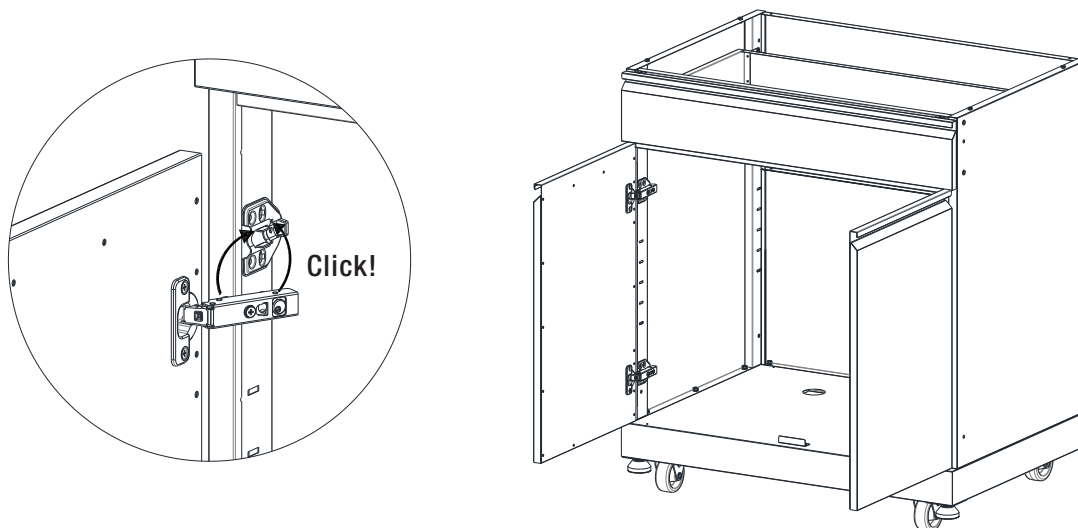
8. Gently push the drawer (AA) into the cabinet.

If you want to remove the drawer, please gently pull the bar up on the left and press the bar down on the right at the same time. Then pull the drawer out of the runner.

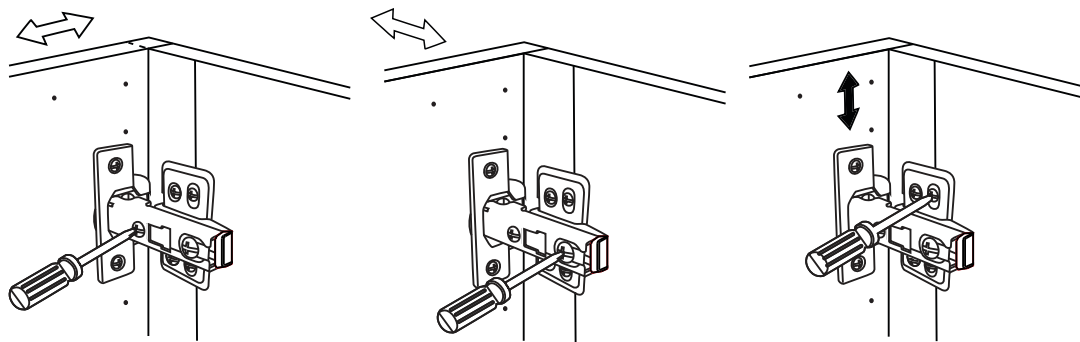


## Installation (continued)

9. The hinges installed on the doors are designed to hook and click into the hinge plates installed on the side panel. You will hear a click sound when the hinges are properly engaged in the hinge plates.

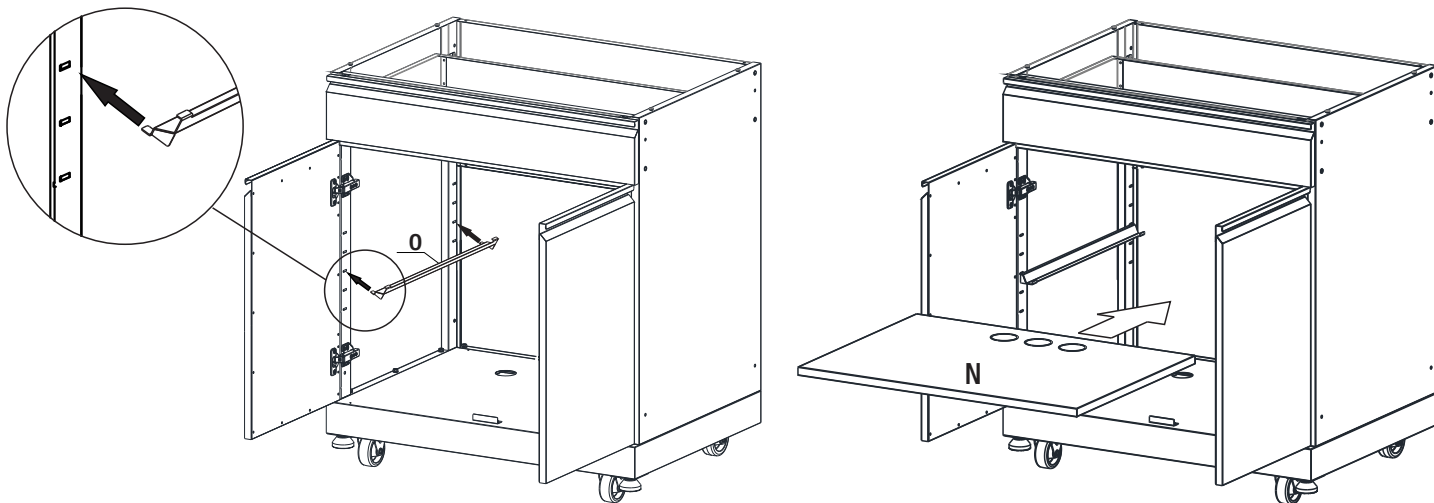


10. If the doors need to be repositioned, the hinges can be adjusted to ensure a precise fit with the cabinet. The lateral adjustment screw adjusts the door left or right. Horizontal adjustment of the screws adjust the door forward and backward. Vertical adjustment of the screws adjust the door up and down.

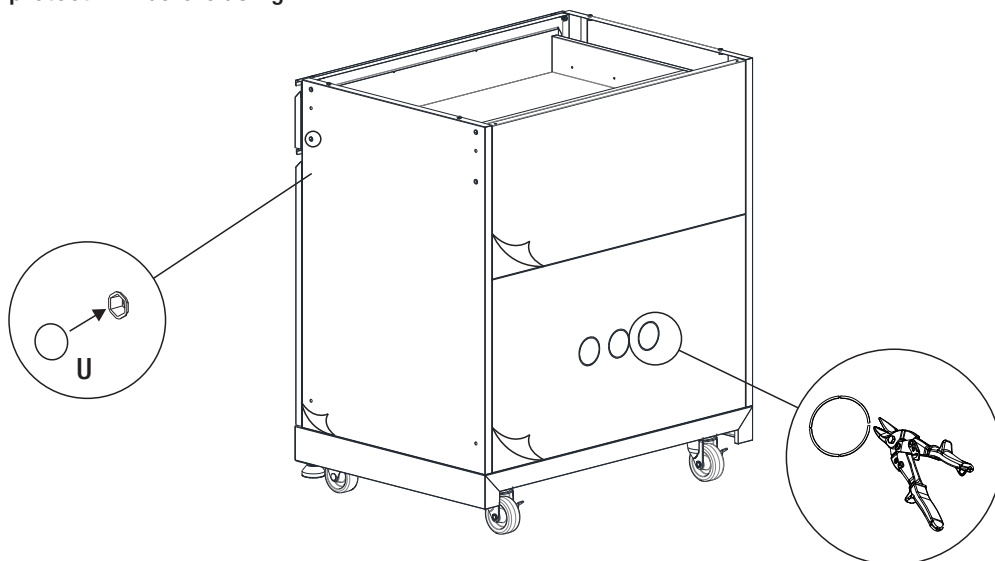


# Installation (continued)

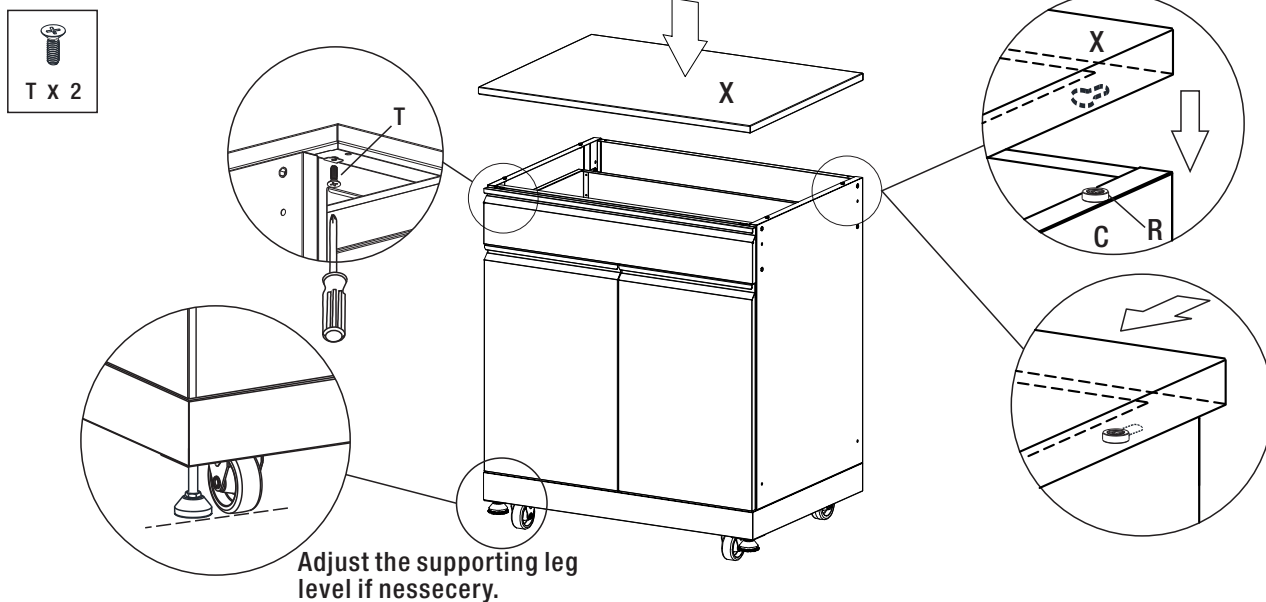
11. Push shelf support (O) into holes at desired locations. Gently put the shelf board (N) on the shelf board support.



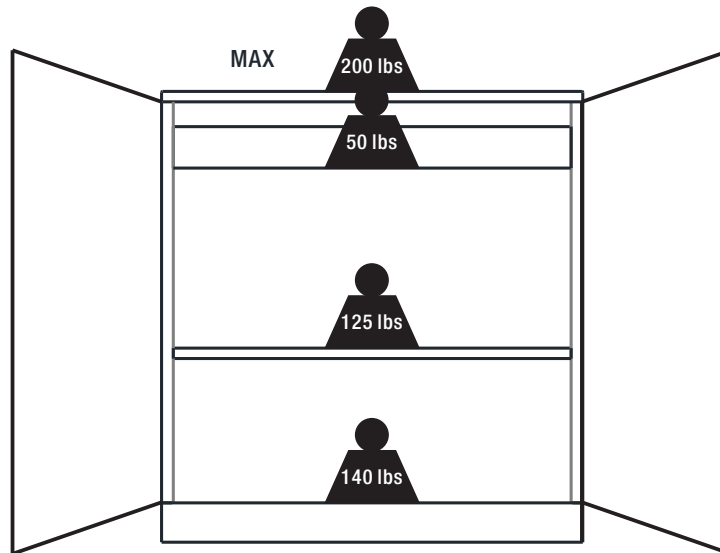
12. Using tin snips cut small webs to release the knockouts if needed. Cover the screw connection holes on side panel with supplied self-adhesive screw cover sticker (U). Remove the protect film before using.



13. Gently put the 32in countertop (X) on the cabinet and lock the screws (T).



## Load capacity



### **! WARNING!**

Do not over loaded when using.  
Place heaviest items in the lowest board.

## Care and Cleaning

### CABINET

To maintain the surface of your cabinet, follow these tips.

#### Do

- Remove dust and dry dirt with a soft, damp cloth.
- Clean grease, oil, paint and ink stains with isopropyl (rubbing alcohol). Immediately rinse with water after stain removal.
- Wash regularly with clean fresh water, mild detergent and a micro fiber cloth.
- Allow cabinets to completely dry before covering with supplied rain cover.

#### Do not

- Do not allow your cabinet surface to come into contact with products such as acetone (nail polish remover), nail polish, dry cleaning solution, lacquer thinners, gasoline, pine oil, etc.
- Use caution when using sharp instruments that may fall and scratch the surface.
- Do not use abrasive cleaners or a scouring pad.
- Do not use chloride containing cleansers.
- Do not Extreme Heat by Flame
- Do not permit citrus or tomato juice to remain on stainless steel surfaces.
- Do not use abrasive cleaners, steel wool pads, or abrasive cloths as they will scratch the finish.