

FEATURES

- An attractive, frameless smooth soft close shower door that features a special Nano protected surface treatment that keeps glass looking clean.
- Includes glass mounted door and two (2) stationary panels with "L" bracket.
- New TruMotion technology features premium engineered hydraulic hinge for easy and quiet soft closing doors.
- SUS304 material for hinge.
- Reversible Design for left hand door or right hand door.
- Max 1/2" adjustment for out of plumb on hinge panel and Max 1/2" adjustment for out of plumb on another side with inline panel.
- Wall opening size range from 54" to 78" with 1/2" incremental.
- 76" Clearance Height.
- Tempered glass is ANSI Z97.1. certified. Glass thickness: 3/8" (10mm) available in Clear.
- Hardware finishes: Polished Chrome, Brushed Stainless, Matte Black, and Champagne Bronze.
- Shower base threshold minimum requirement is 1" wide.
- "L" bracket is required to secure the hinge panel.
- IMPORTANT! All measurements should be taken only AFTER walls are finished (tile, back walls, etc.); Professional installation recommended.
- Limited Lifetime Warranty for residential use and 1 year when used commercially.

TruMOTION 



To Be Specified : Hardware Color

<input type="checkbox"/>	PC Chrome
<input type="checkbox"/>	BN Brushed Nickel
<input type="checkbox"/>	CB Champagne Bronze
<input type="checkbox"/>	MB Matte Black



Chrome



Brushed Nickel



Champagne Bronze



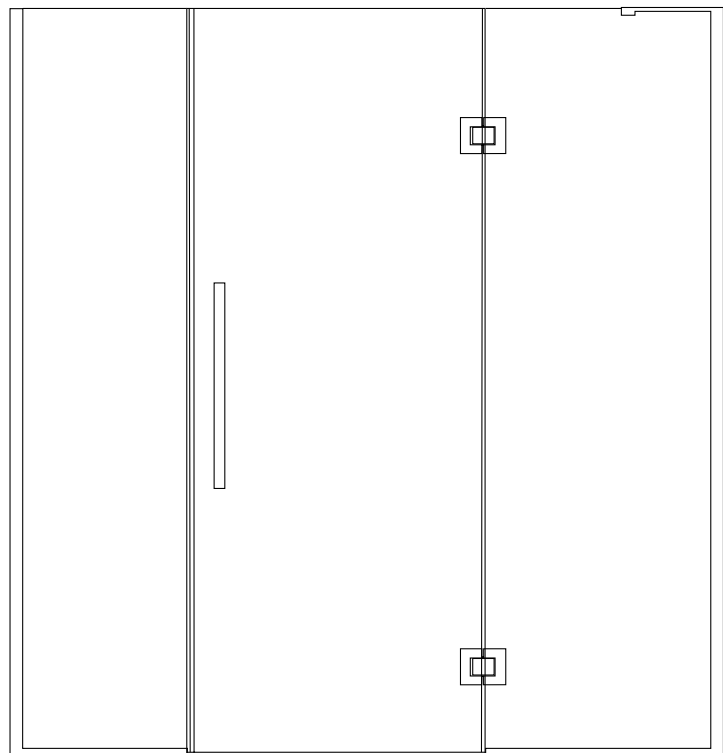
Matte Black

To Be Specified : Glass

<input type="checkbox"/>	C Clear
--------------------------	---------



Clear



SHOWER DOORS

Specify Model - Using Configuration Measurements below

	Size	Model	Glass	Wall-to-wall opening Size (A)	Door Height (B)	Door Width (C)	Hinge Panel Width (D)	Inline Panel Width (E)	Walk-in Width (F)	Weight
<input type="checkbox"/>	61" x 76"	EHTF61257610C-	Clear (10 mm)	61"	76"	25"	24"	12"	24"	214 lbs.
<input type="checkbox"/>	61.5" x 76"	EHTF615257610C-	Clear (10 mm)	61.5"	76"	25"	24"	12.5"	24"	216 lbs.
<input type="checkbox"/>	62" x 76"	EHTF62267610C-	Clear (10 mm)	62"	76"	26"	24"	12"	25"	216 lbs.
<input type="checkbox"/>	62.5" x 76"	EHTF625267610C-	Clear (10 mm)	62.5"	76"	26"	24"	12.5"	25"	219 lbs.
<input type="checkbox"/>	63" x 76"	EHTF63277610C-	Clear (10 mm)	63"	76"	27"	24"	12"	26"	219 lbs.
<input type="checkbox"/>	63.5" x 76"	EHTF635277610C-	Clear (10 mm)	63.5"	76"	27"	24"	12.5"	26"	221 lbs.
<input type="checkbox"/>	64" x 76"	EHTF64287610C-	Clear (10 mm)	64"	76"	28"	24"	12"	27"	221 lbs.
<input type="checkbox"/>	64.5" x 76"	EHTF645287610C-	Clear (10 mm)	64.5"	76"	28"	24"	12.5"	27"	223 lbs.
<input type="checkbox"/>	65" x 76"	EHTF65297610C-	Clear (10 mm)	65"	76"	29"	24"	12"	28"	223 lbs.
<input type="checkbox"/>	65.5" x 76"	EHTF655297610C-	Clear (10 mm)	65.5"	76"	29"	24"	12.5"	28"	225 lbs.
<input type="checkbox"/>	66" x 76"	EHTF66307610C-	Clear (10 mm)	66"	76"	30"	24"	12"	29"	230 lbs.
<input type="checkbox"/>	66" x 76"	EHTF66247610C-	Clear (10 mm)	66"	76"	24"	24"	18"	23"	230 lbs.
<input type="checkbox"/>	66.5" x 76"	EHTF665307610C-	Clear (10 mm)	66.5"	76"	30"	24"	12.5"	29"	232 lbs.
<input type="checkbox"/>	66.5" x 76"	EHTF665247610C-	Clear (10 mm)	66.5"	76"	24"	24"	18.5"	23"	232 lbs.
<input type="checkbox"/>	67" x 76"	EHTF67257610C-	Clear (10 mm)	67"	76"	25"	24"	18"	24"	236 lbs.
<input type="checkbox"/>	67.5" x 76"	EHTF675257610C-	Clear (10 mm)	67.5"	76"	25"	24"	18.5"	24"	238 lbs.
<input type="checkbox"/>	68" x 76"	EHTF68267610C-	Clear (10 mm)	68"	76"	26"	24"	18"	25"	238 lbs.
<input type="checkbox"/>	68.5" x 76"	EHTF685267610C-	Clear (10 mm)	68.5"	76"	26"	24"	18.5"	25"	241 lbs.
<input type="checkbox"/>	69" x 76"	EHTF69277610C-	Clear (10 mm)	69"	76"	27"	24"	18"	26"	241 lbs.
<input type="checkbox"/>	69.5" x 76"	EHTF695277610C-	Clear (10 mm)	69.5"	76"	27"	24"	18.5"	26"	243 lbs.
<input type="checkbox"/>	70" x 76"	EHTF70287610C-	Clear (10 mm)	70"	76"	28"	24"	18"	27"	243 lbs.
<input type="checkbox"/>	70.5" x 76"	EHTF705287610C-	Clear (10 mm)	70.5"	76"	28"	24"	18.5"	27"	245 lbs.
<input type="checkbox"/>	71" x 76"	EHTF71297610C-	Clear (10 mm)	71"	76"	29"	24"	18"	28"	245lbs.
<input type="checkbox"/>	71.5" x 76"	EHTF715297610C-	Clear (10 mm)	71.5"	76"	29"	24"	18.5"	28"	247 lbs.
<input type="checkbox"/>	72" x 76"	EHTF72307610C-	Clear (10 mm)	72"	76"	30"	24"	18"	29"	251 lbs.
<input type="checkbox"/>	72" x 76"	EHTF72247610C-	Clear (10 mm)	72"	76"	24"	24"	24"	23"	251 lbs.
<input type="checkbox"/>	72.5" x 76"	EHTF725307610C-	Clear (10 mm)	72.5"	76"	30"	24"	18.5"	29"	253 lbs.
<input type="checkbox"/>	72.5" x 76"	EHTF725247610C-	Clear (10 mm)	72.5"	76"	24"	24"	24.5"	23"	253 lbs.
<input type="checkbox"/>	73" x 76"	EHTF73257610C-	Clear (10 mm)	73"	76"	25"	24"	24"	24"	256 lbs.
<input type="checkbox"/>	73.5" x 76"	EHTF735257610C-	Clear (10 mm)	73.5"	76"	25"	24"	24.5"	24"	258 lbs.
<input type="checkbox"/>	74" x 76"	EHTF74267610C-	Clear (10 mm)	74"	76"	26"	24"	24"	25"	258 lbs.
<input type="checkbox"/>	74.5" x 76"	EHTF745267610C-	Clear (10 mm)	74.5"	76"	26"	24"	24.5"	25"	260 lbs.
<input type="checkbox"/>	75" x 76"	EHTF75277610C-	Clear (10 mm)	75"	76"	27"	24"	24"	26"	260 lbs.
<input type="checkbox"/>	75.5" x 76"	EHTF755277610C-	Clear (10 mm)	75.5"	76"	27"	24"	24.5"	26"	263 lbs.
<input type="checkbox"/>	76" x 76"	EHTF76287610C-	Clear (10 mm)	76"	76"	28"	24"	24"	27"	263 lbs.
<input type="checkbox"/>	76.5" x 76"	EHTF765287610C-	Clear (10 mm)	76.5"	76"	28"	24"	24.5"	27"	265 lbs.
<input type="checkbox"/>	77" x 76"	EHTF77297610C-	Clear (10 mm)	77"	76"	29"	24"	24"	28"	265 lbs.
<input type="checkbox"/>	77.5" x 76"	EHTF775297610C-	Clear (10 mm)	77.5"	76"	29"	24"	24.5"	28"	267 lbs.
<input type="checkbox"/>	78" x 76"	EHTF78307610C-	Clear (10 mm)	78"	76"	30"	24"	24"	29"	267 lbs.

CONFIGURATION

MEASUREMENTS:

A: Wall-to-wall Opening Size

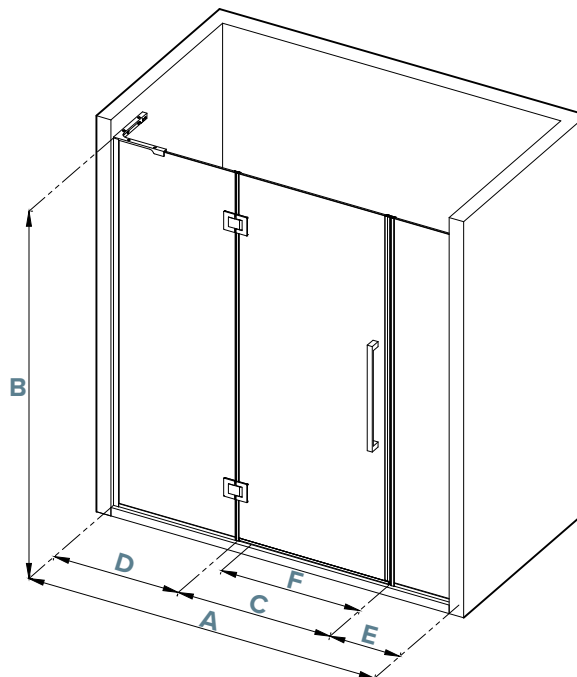
B: Door Height

C: Door Width

D: Hinge Panel Width

E: Inline Panel Width

F: Walk-in Width

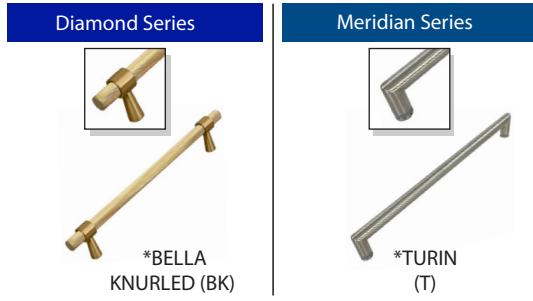


FEATURES

- Handles are available in 2 distinctive series.
- Handle size is 19.69" (500mm) center hole to center hole.
- Finish: Polished Chrome (PC), Brushed Stainless (BS), Champagne Bronze (CB) and Matte Black (MB)
- Limited Lifetime Warranty for residential use and 1 year when used commercially.

Diamond & Meridian Series Shower Door Handles

Our extensive collection of high end handles add a distinctive look to your shower door and bathroom.



* Matching grab bar available in different sizes.

1. Specify Model: Series & Style

Model	Style	Weight
DIAMOND SERIES		
<input type="checkbox"/> DH-BND-D-	Diamond Barn Door Double Sided	3 lbs.
<input type="checkbox"/> DH-BND-K-	Diamond Barn Door Handle & Knob	2 lbs.
MERIDIAN SERIES		
<input type="checkbox"/> MH-BND-D-	Meridian Barn Door Double Sided	3 lbs.
<input type="checkbox"/> MH-BND-K-	Meridian Barn Door Handle & Knob	2 lbs.



Bella Knurled
Barn Door Double Sided
DH-BND-D-BK-CB



Bella Knurled
Barn Door Handle & Knob
DH-BND-K-BK-CB

2. To Be Specified: Handle Name

DIAMOND SERIES

 BK Bella Knurled

MERIDIAN SERIES

 T Turin

3. To Be Specified: Color

<input type="checkbox"/> PC Polished Chrome
<input type="checkbox"/> BN Brushed Stainless
<input type="checkbox"/> CB Champagne Bronze
<input type="checkbox"/> MB Matte Black



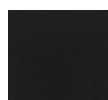
Chrome



Brushed Stainless



Champagne Bronze



Matte Black



Turin
Barn Door Double Sided
DH-BND-D-T-PC



Turin
Barn Door Handle & Knob
DH-BND-K-T_PC