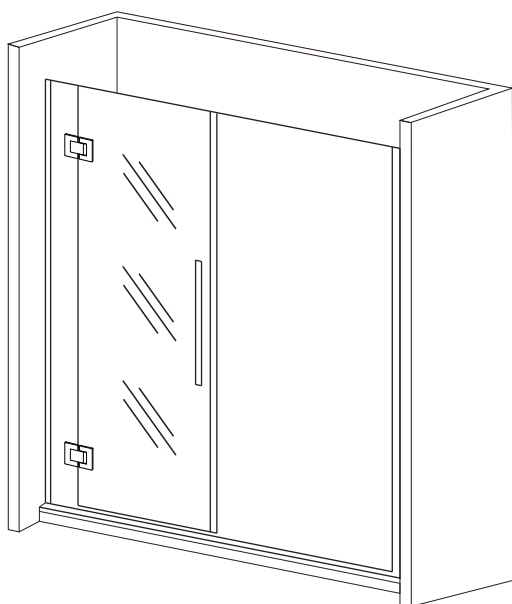


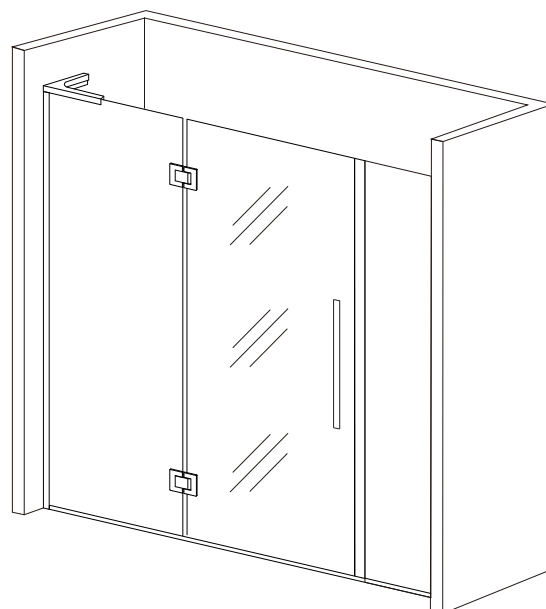
# Glass-to-Glass Hinge Shower Door

For 3/8 inch (10mm) Glass

## INSTALLATION GUIDE



Type D



Type F

### Right hand door installation shown

---

**CAUTION:** To reduce the risk of breakage, keep corner protectors on glass while installing.

Consult your local plumbing codes prior to installation.

**IMPORTANT:** To complete an entire door installation, you will need the following:

1. One carton containing (1) Hinged panel
2. One carton containing (1) Door panel
3. One carton containing (1) Inline panel
4. One carton containing hardware kit with door handle, adjustable angle bracket is supplied for 18", 18-1/2", 24", 24-1/2", 30", 30-1/2" inline panel glass.
5. L bracket is supplied for Type F.

# TABLE OF CONTENT

TABLE OF CONTENT .....	2
SAFETY INFORMATION .....	3
CARE AND MAINTENANCE.....	3
PACKAGE CONTENT .....	4
PART LIST .....	6
MODELS TO USE L BRACKET OR ADJUSTABLE ANGLE BRACKET.....	7
REVERSIBLE DESIGN.....	9
TOOLS REQUIRED .....	10
INSTALLATION STEPS.....	11



## SAFETY INFORMATION

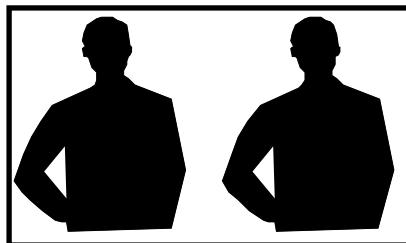
### CAUTION

Please carefully read the following important safety information before handling or installing this shower. There is a risk of serious injury while handling this product. To minimize these risks, please note:

- Always wear safety glasses and gloves while handling.
- Always read and follow all the steps in the installation instructions.
- Inspect all contents and glass for damage before installation.
- Extreme caution should be taken while handling the glass during installation as the tempered glass may shatter if in contact with a hard surface.
- Handle the tempered glass with caution! Improperly handling the glass can cause it to break suddenly in small pieces (never in pointed fragments).
- Always take all precautions not to touch the tempered glass with any tools during the installation, or after installed.
- Do not cut or modify the tempered glass as it will shatter if cut.
- Carefully remove product from packaging and keep packaging until installation is complete.
- Inspect all parts for damage; if there is damage to the unit prior to installation, please contact customer service
- Install the shower on a floor that is level and able to accommodate the weight of the unit and an occupant.
- Consult local building codes and compliance standards prior to installation and ensure conformity.
- After installation, and from time to time, check the glass for fit and finish to ensure that nothing has come loose since installation.
- Keep this installation manual for future reference.

### NOTICE

- Any modification or alteration from what is specified in this instruction manual will void any and all warranty on this product.
- The distributor is not responsible for any damage to the unit or personal property caused by improper installation. If you disregard instructional warnings, you will void your warranty and possibly deal with water damage.
- Consult the distributor's website for any additional information or question on this product's installation.

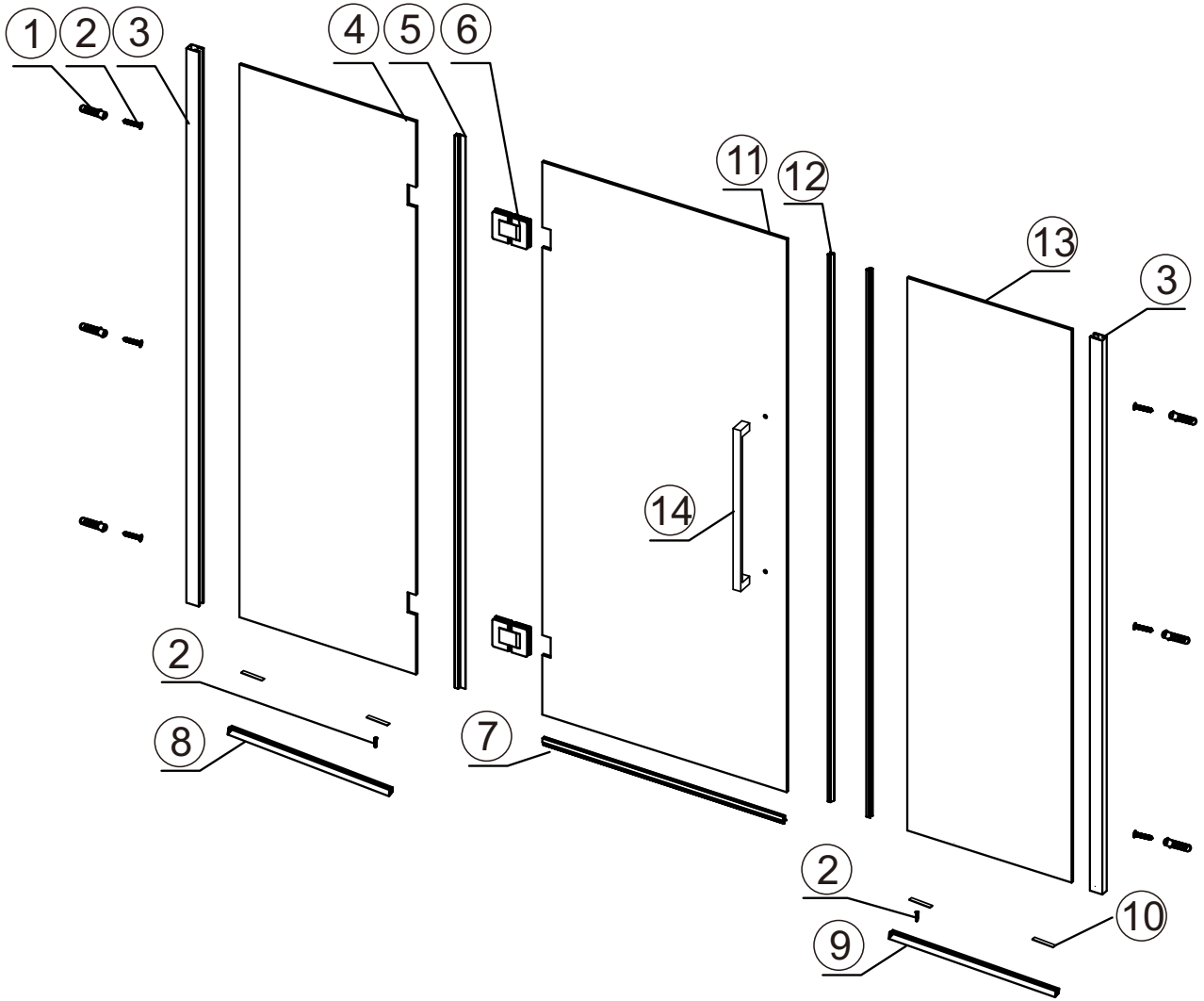
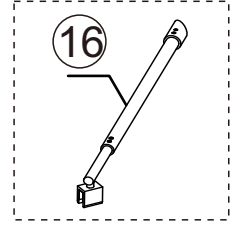
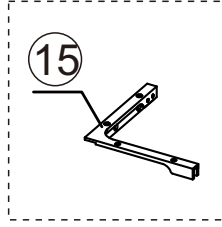


- You will need at least two people to install this unit properly.
- Before beginning assembly of product, make sure all parts are present. Compare parts with package contents list and hardware contents list. If any part is missing or damaged, do not attempt to assemble the product.
- Estimated Assembly Time: 2 hours

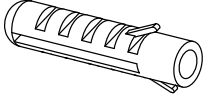
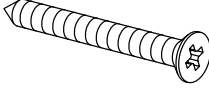


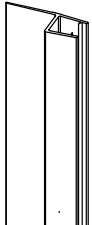
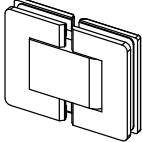
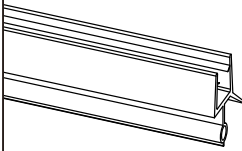
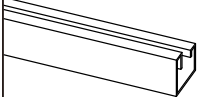
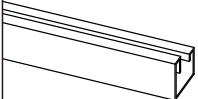
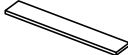
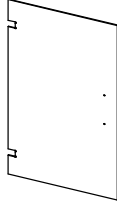
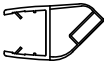
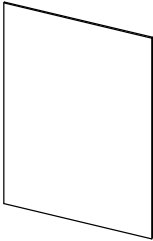

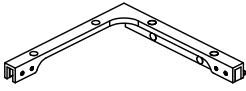

## CARE AND MAINTENANCE

- For the daily maintenance, use a wet cloth and a soft liquid cleaner.
- Never use abrasive cleaners containing some acetone, chlorine or strong bleach, scrapers, metallic brushes, nor other objects or the products which can graze or tarnish surfaces.
- Check every 4 months and re-tighten them if necessary.

# PACKAGE CONTENT



# PACKAGE CONTENT

<p>① 6 PC</p> 	<p>② 8 PC</p>  <p>ST4x30</p>	<p>③ 2 PC</p> 	<p>④ 1 PC</p> 
<p>⑤ 1 PC</p> 	<p>⑥ 2 PC</p> 	<p>⑦ 1 PC</p> 	<p>⑧ 1 PC</p>  <p>23.5" long for Hinge Panel ④</p>
<p>⑨ 1 PC</p>  <p>30" long for Inline Panel ⑬</p>	<p>⑩ 4 PC</p> 	<p>⑪ 1 PC</p> 	<p>⑫ 2 PC</p> 
<p>⑬ 1 PC</p> 	<p>⑭ * 1 PC</p>  <p>* The handles are subject to your choice. The image shown is for reference only.</p>	<p>⑮ * 1 PC</p>  <p>L bracket is only supplied for Type F configuration (24" Hinge panel)</p>	<p>⑯ * 1 PC</p>  <p>Adjustable angle bracket is supplied only for 18" or above inline panel.</p>

# PART LIST

Part number	Description	Quantity	Code
1	Wall Anchor	6	LF-LD00005
2	ST4x30 Countersunk Screw	8	Y100102011
3	Wall Rack	2	LF-HBCDEF001-XX
4	Hinge Panel	1	LF-GCDEF001
5	Hinge Side Vinyl Seal	1	LF-JT00192
6	Glass-to-Glass Hinge	2	LF-HCDEF002-XX
7	Bottom Sweep Vinyl Seal	1	LF-JT00191
8	Bottom Rail for Hinge Panel (short)	1	LF-HBCDEF003-XX
9	Bottom Rail for Inline Panel (long)	1	LF-HBDEF004-XX
10	PVC glass spacer	4	LF-GS00005
11	Door Panel	1	LF-GCDEF002
12	Magnetic Seal Strip	2	LF-JT00190
13	Inline Panel	1	LF-GBDF003
14*	Handle	1	
15*	L bracket (for Type F only)	1	LF-LB-XX
16*	Adjustable angle bracket( supplied only for 18" or above inline panel)	1	LF-AAB-XX

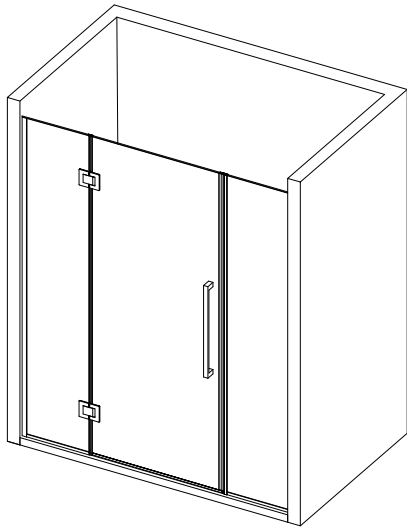
XX indicate hardware finish: PC = Polished Chrome; BS = Brushed Stainless; MB = Matte Black; CB = Champagne Bronze

# MODELS TO USE L BRACKET OR ADJUSTABLE ANGLE BRACKET

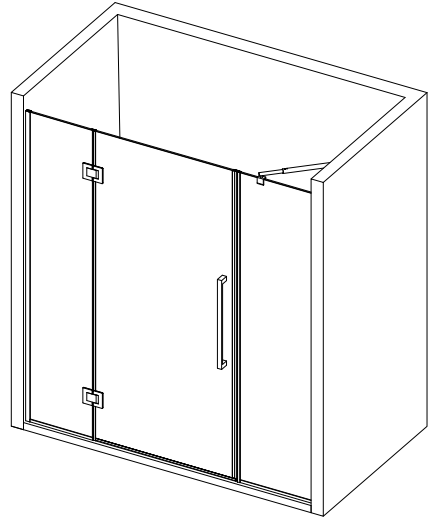
Type	Overall Size Range (1" Incremental for each item )	Hinge Panel	Door Panel Range (1" Incremental for each item )	Inline Panel	For Hinge Panel,L Bracket included (Y) or not(N)	For Inline Panel, Adjustable Angle Bracket included (Y) or not(N)	Reference Graph
D	36" - 42"	6"	24"-30"	6"	N	N	D1
	36-1/2" - 42-1/2"	6"	24"-30"	6-1/2"	N	N	
	42" - 48"	6"	24"-30"	12"	N	N	
	42-1/2" - 48-1/2"	6"	24"-30"	12-1/2"	N	N	
	48" - 54"	6"	24"-30"	18"	N	Y	D2
	48-1/2" - 54-1/2"	6"	24"-30"	18-1/2"	N	Y	
	54" - 60"	6"	24"-30"	24"	N	Y	
	54-1/2" - 60-1/2"	6"	24"-30"	24-1/2"	N	Y	
	60" - 66"	6"	24"-30"	30"	N	Y	
	60-1/2" - 66-1/2"	6"	24"-30"	30-1/2"	N	Y	
F	54" - 60"	24"	24"-30"	6"	Y	N	F1
	54-1/2" - 60-1/2"	24"	24"-30"	6-1/2"	Y	N	F2
	60" - 66"	24"	24"-30"	12"	Y	Y	
	60-1/2" - 66-1/2"	24"	24"-30"	12-1/2"	Y	Y	
	66" - 72"	24"	24"-30"	18"	Y	Y	
	66-1/2" - 72-1/2"	24"	24"-30"	18-1/2"	Y	Y	

Note: All size are nominal size.

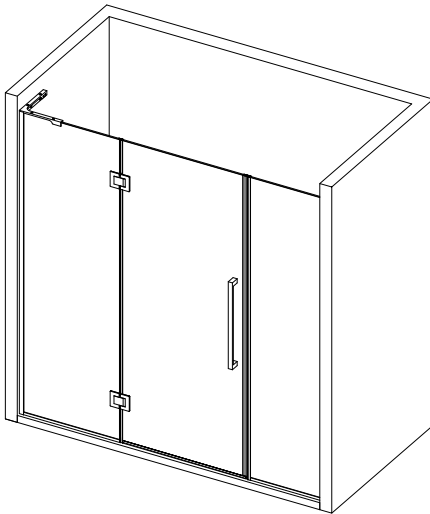
# MODELS TO USE L BRACKET OR SUPPORT BAR



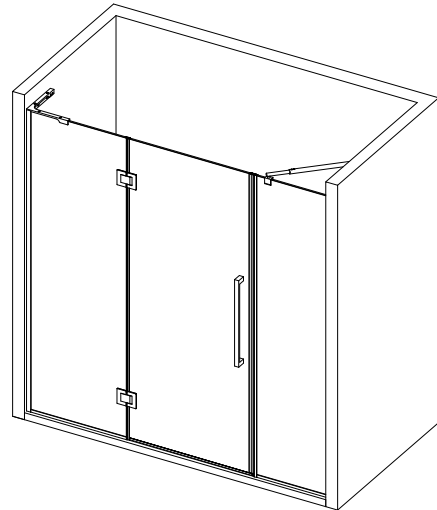
D1



D2

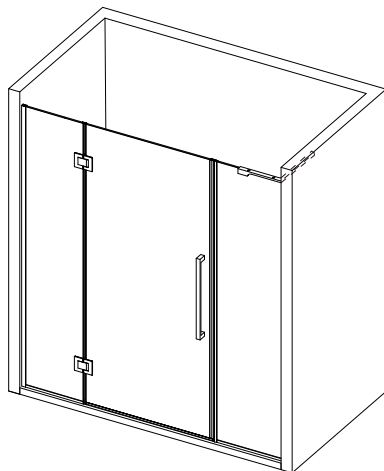


F1

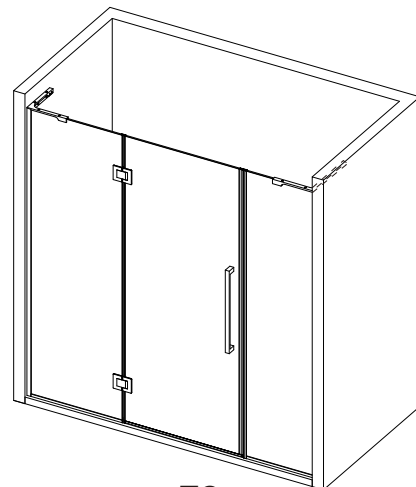


F2

Note: For D2 and F2, If you prefer L bracket instead of adjustable angle bracket, you could purchase it separately. Then you have the following:



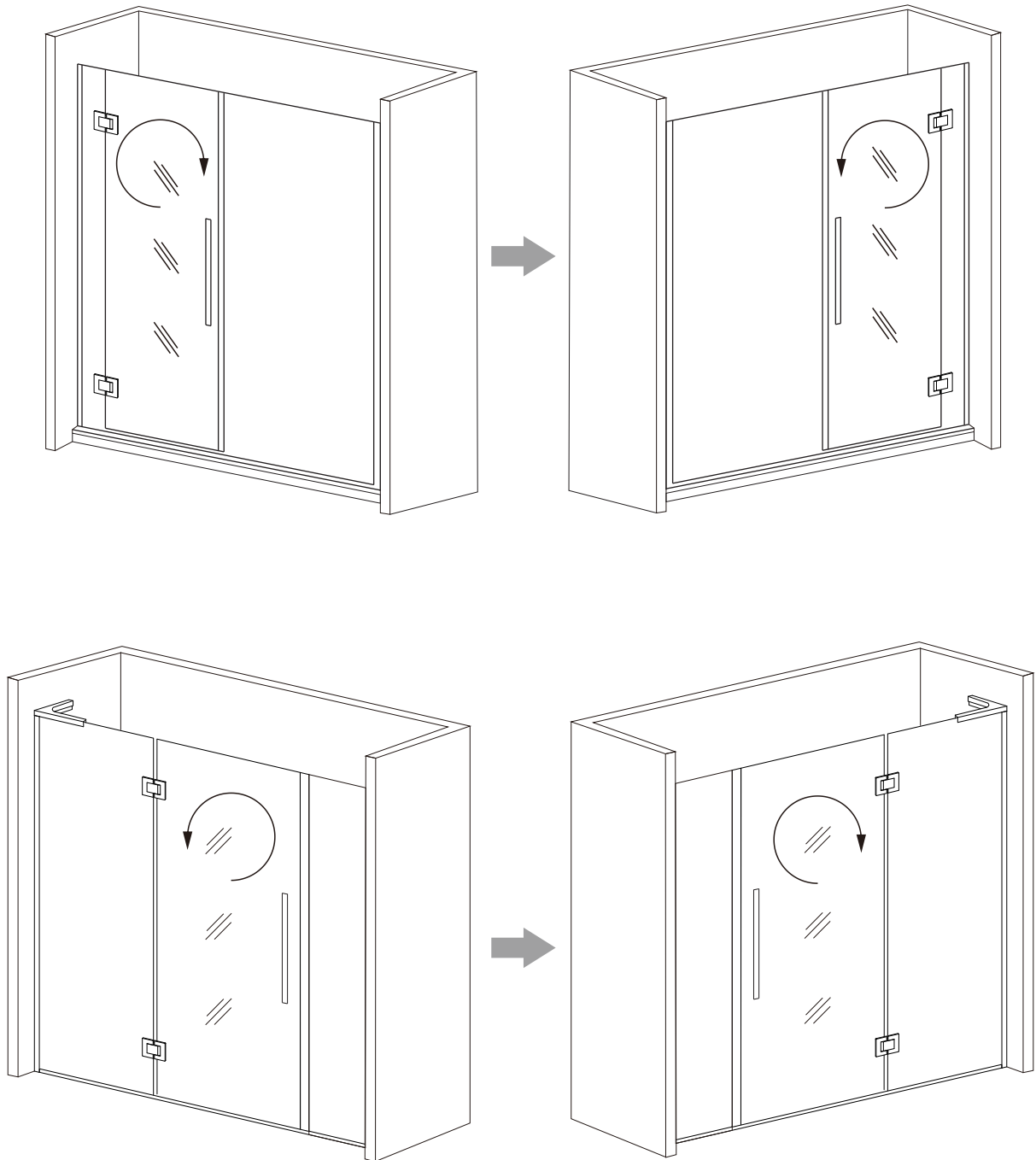
D2  
w/L bracket



F2  
w/L bracket

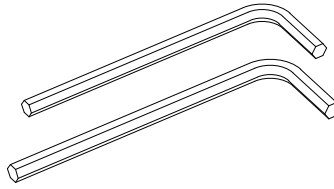


# REVERSIBLE DESIGN



The doors are reversible for left or right-hand door installation. This manual will show the right hand door installation. For a left hand door installation, simply begin on the opposite wall and reverse the orientation of parts as necessary.

## TOOLS REQUIRED (Supplied )

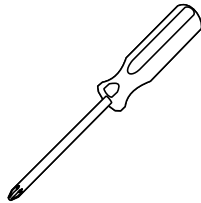


2.5mm & 4mm

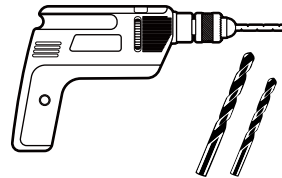
## TOOLS REQUIRED (Not Supplied )



Pencil



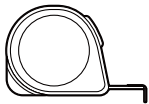
Screwdriver



Drill and drill bits  
ø6/25"[6mm]  
ø1/8"[3mm]



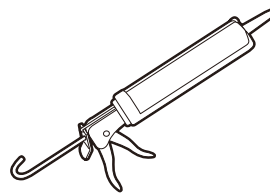
Cutter



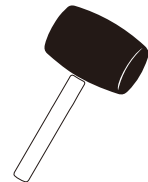
Measuring tape



Level



Silicone



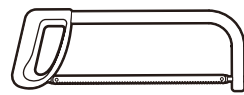
Rubber mallet



Safety gloves



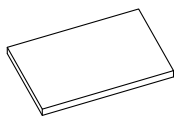
Safety glasses



Hacksaw



Masking tape



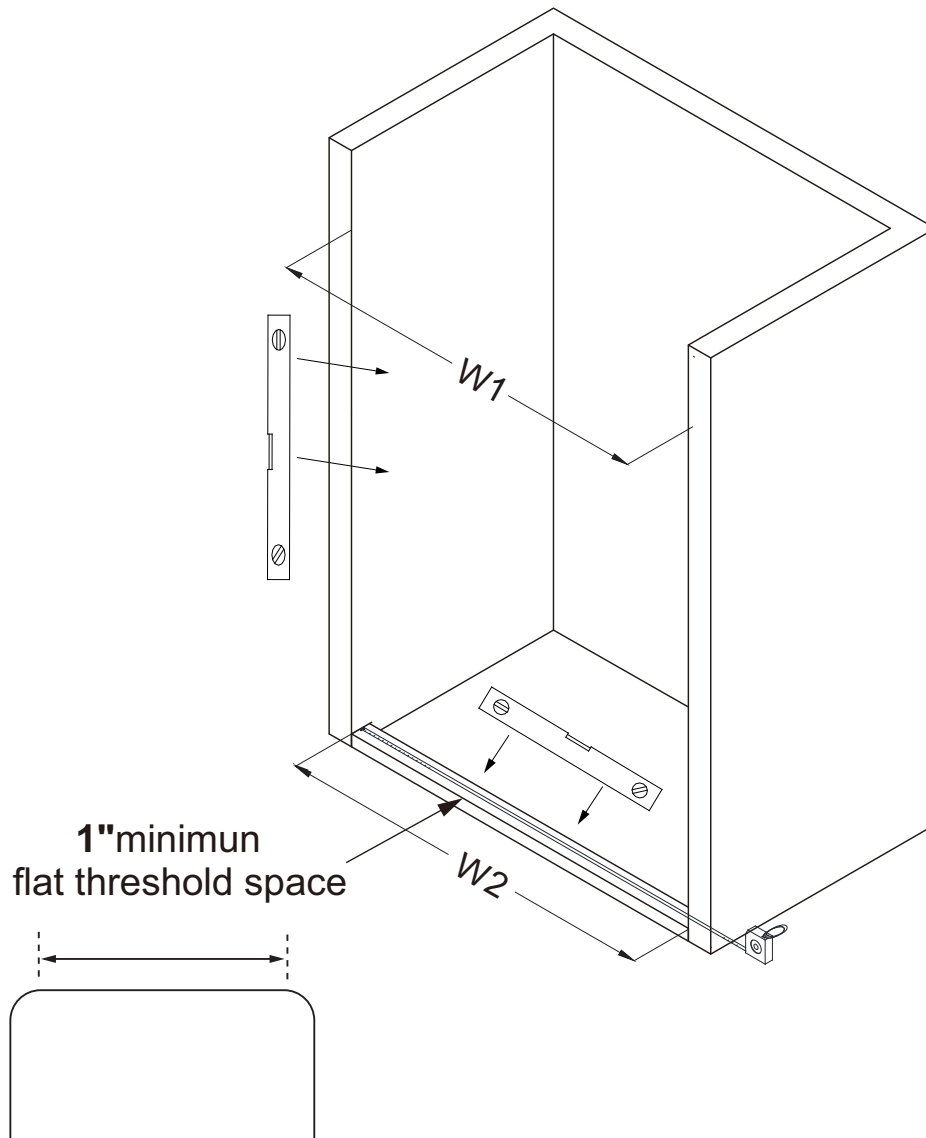
Wooden Spacer



Professional-grade  
Glass suction cup

# INSTALLATION STEPS

1. Measure the finished opening width at the bottom and the model height. Use these dimensions as "**W1**" (top) and "**W2**" (bottom). Compare W1 and W2, use the smaller number as finished opening size. This door does NOT have any adjustment for overall width. Verify that the model size ordered will fit the finished opening before beginning installation.



## **! WARNING!**

This door requires a minimum 1"[25mm] of flat threshold space for installation.

## **! WARNING!**

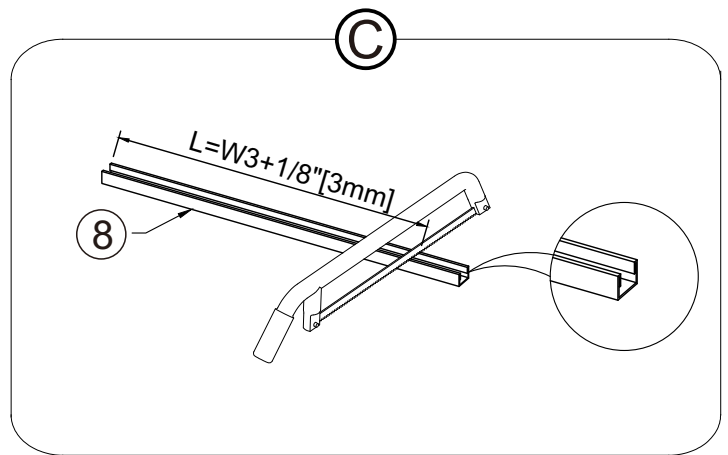
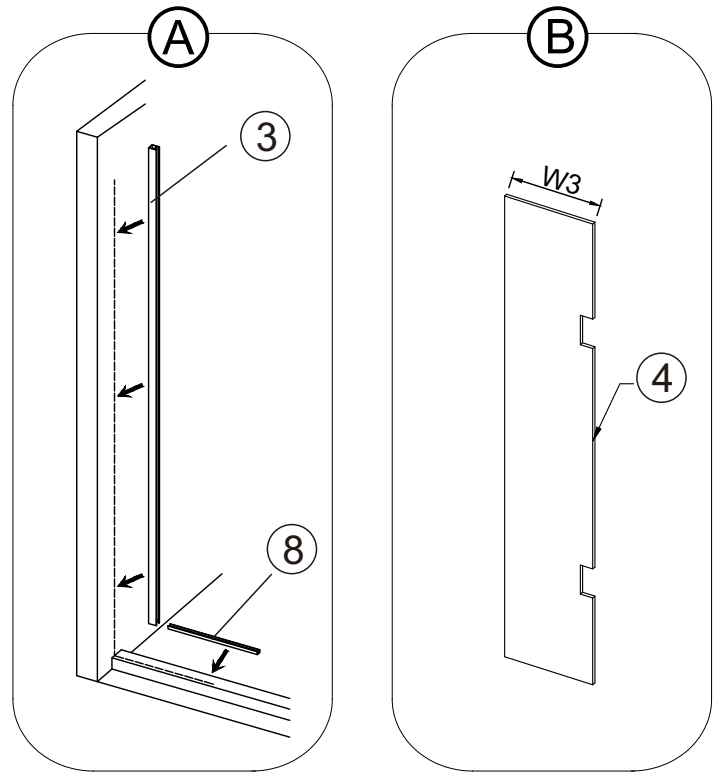
Threshold must be level. The door may not function properly if the threshold is out-of-level.

## **! WARNING!**

This door has limited space for adjustment of out of plumb. The hinge panel should not be adjusted more than 1/2" for out of plumb. The inline panel should not be adjusted more than 1/2" for out of plumb. If the wall is more than these out of plumb, the door may not function properly.

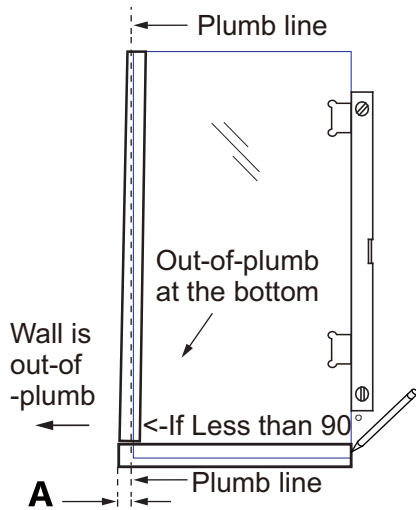
# INSTALLATION STEPS

2. Cut the bottom rail for hinge panel.
  - A. Draw a line on the threshold and up the wall to represent the outside edge of wall rack (3).
  - B. Measure the actual width for the hinged panel as "W3".
  - C. Cut the bottom rail (8) to  $L=W3+1/8"$ [3mm].



## ⚠ WARNING!

If the wall is out of plumb at the bottom, measure the dimension (A) and add it to the finished cut length  $L=W3+1/8"$ [3mm]+A. The out of plumb(A) of the wall for hinged panel should be not more than 1/2".



# INSTALLATION STEPS

## 3. Install the Hinge Panel.

A. Position wall rack on the wall and bottom rack on the threshold to mark holes for drilling. Make sure the end with cover is on the top.

B. Drill holes in the wall and install wall anchors. Drill holes in the threshold.

C. Install the wall rack and bottom rack by securing screws.

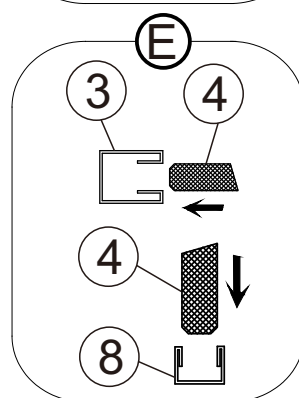
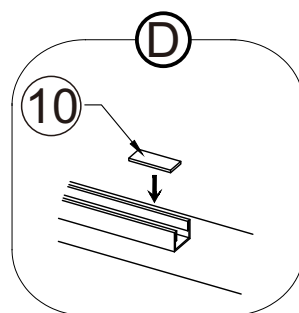
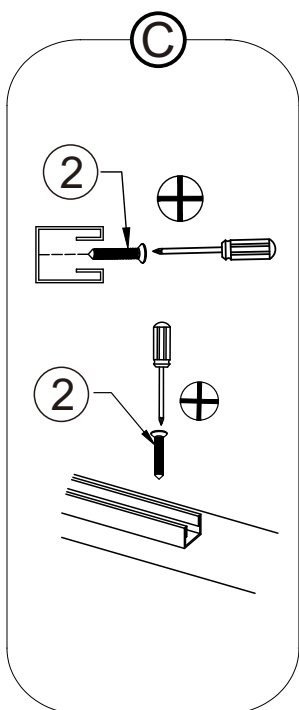
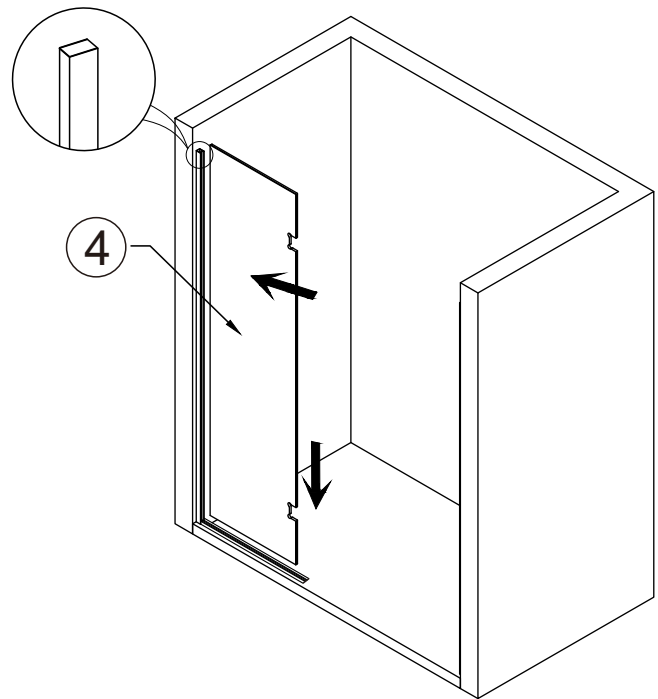
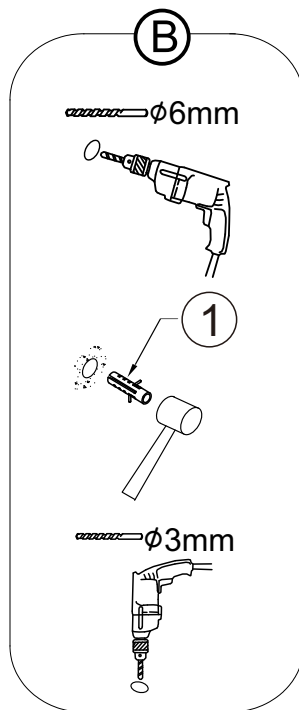
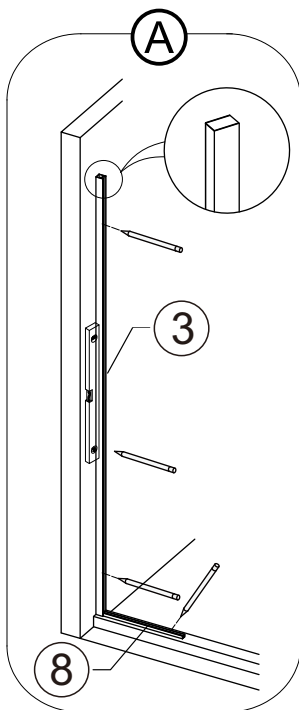
D. Add the PVC spacer into the bottom U-channel to protect the bottom corners of the glass.

E. Install the hinge panel glass into the wall rack and bottom rack. Check for level and plumb.

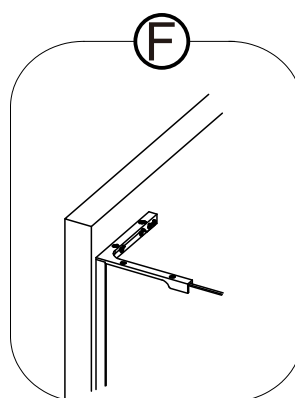
F. Install the L bracket if needed. See page 7.

For 6" hinge panel, L bracket is not included.

For 24" hinge panel, L bracket is included and must be used, the manual is packaged with the L bracket .



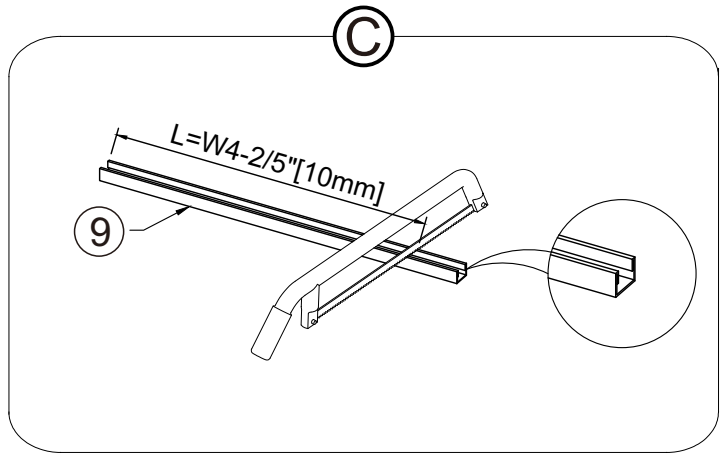
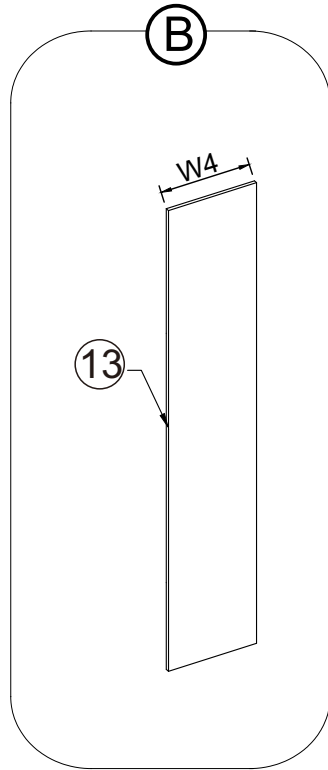
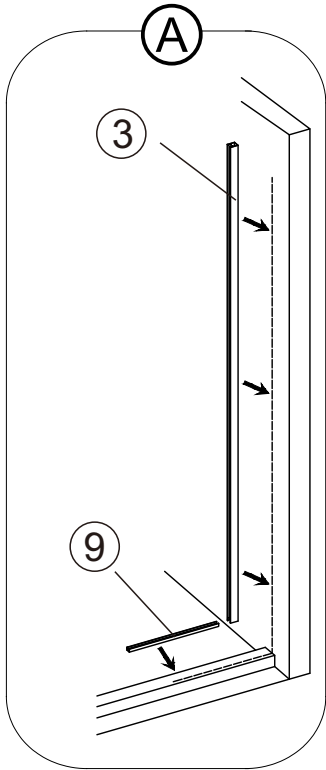
**⚠ WARNING!**  
The hinge panel glass must be properly installed and secured to support the weight of the door glass. Failure to follow these steps may result in the hinge glass pulling out from the wall rack.



# INSTALLATION STEPS

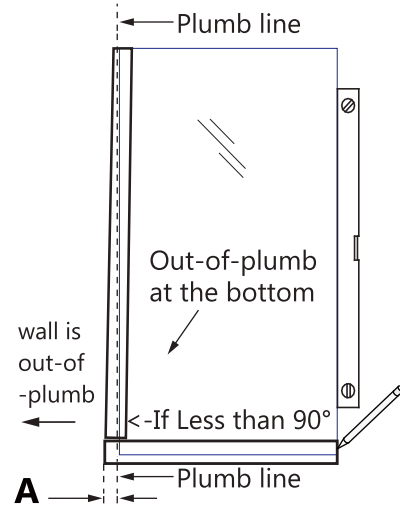
## 4. Cut the bottom rail for inline panel.

- A. Draw a line on the threshold and up the wall to represent the outside edge of wall rack.  
This line must be aligned with the line in step 2.
- B. Measure the actual width for the inline panel as "W4".
- C. Cut the bottom rail to  $L=W4-2/5"$ [10mm].



## ⚠ WARNING!

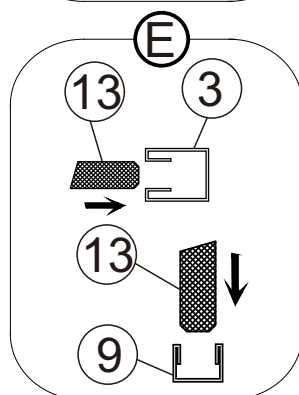
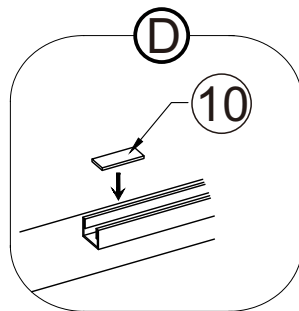
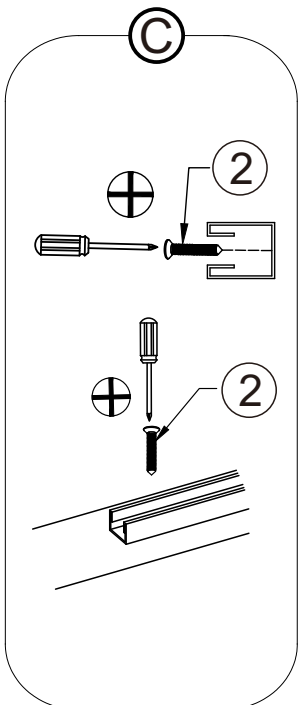
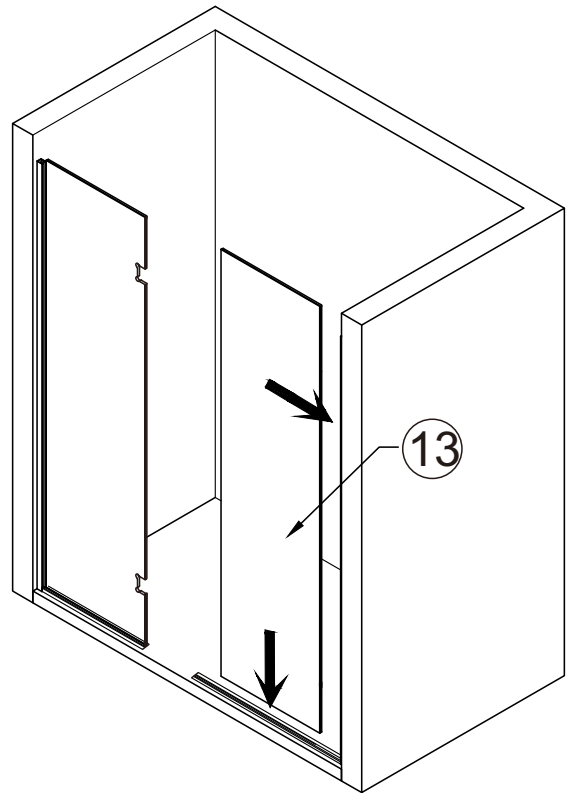
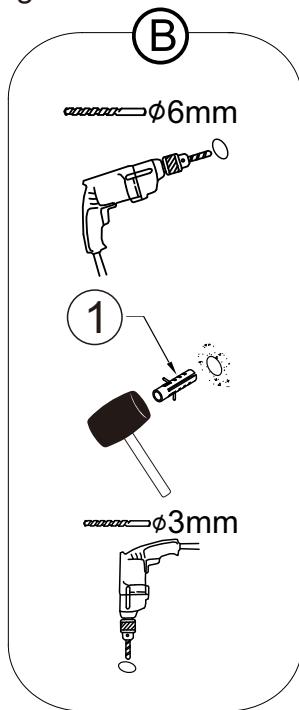
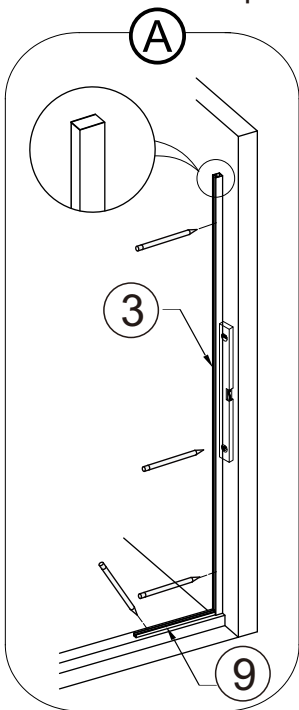
If the wall is out of plumb at the bottom, measure the dimension (A) and add it to the finished cut length  $L=W4-2/5"$ [10mm]+A. The out of plumb (A) of the wall for inline panel should be not more than 1/2".



# INSTALLATION STEPS

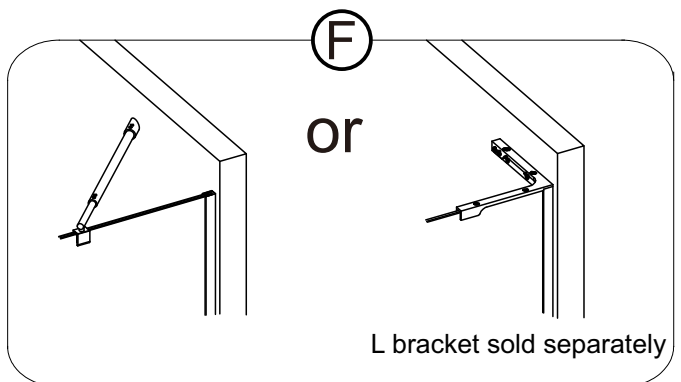
## 5. Install the Inline Panel.

- A. Position wall rack on the wall and bottom rack on the threshold to mark holes for drilling.
  - B. Drill holes in the wall and install wall anchors. Drill holes in the threshold.
  - C. Install the wall rack and bottom rack by securing screws.
  - D. Add the PVC spacer into the bottom U-channel to protect the bottom corners of the glass.
  - E. Install the inline panel glass into the wall rack and bottom rack. Check for level and plumb. Make sure the side with nano coating facing inside shower.
  - F. Install the adjustable angle bracket if needed. See page 7.
- For 6", 6-1/2", 12", 12-1/2" inline panel, adjustable angle bracket is not supplied.  
 For 18", 18-1/2", 24", 24-1/2", 30", 30-1/2" inline panel, adjustable angle bracket is supplied.  
 The manual is packaged with the adjustable angle bracket.  
 If you prefer L bracket instead of adjustable angle bracket, you could purchase it separately.  
 The manual is packaged with the L bracket.



**! WARNING!**

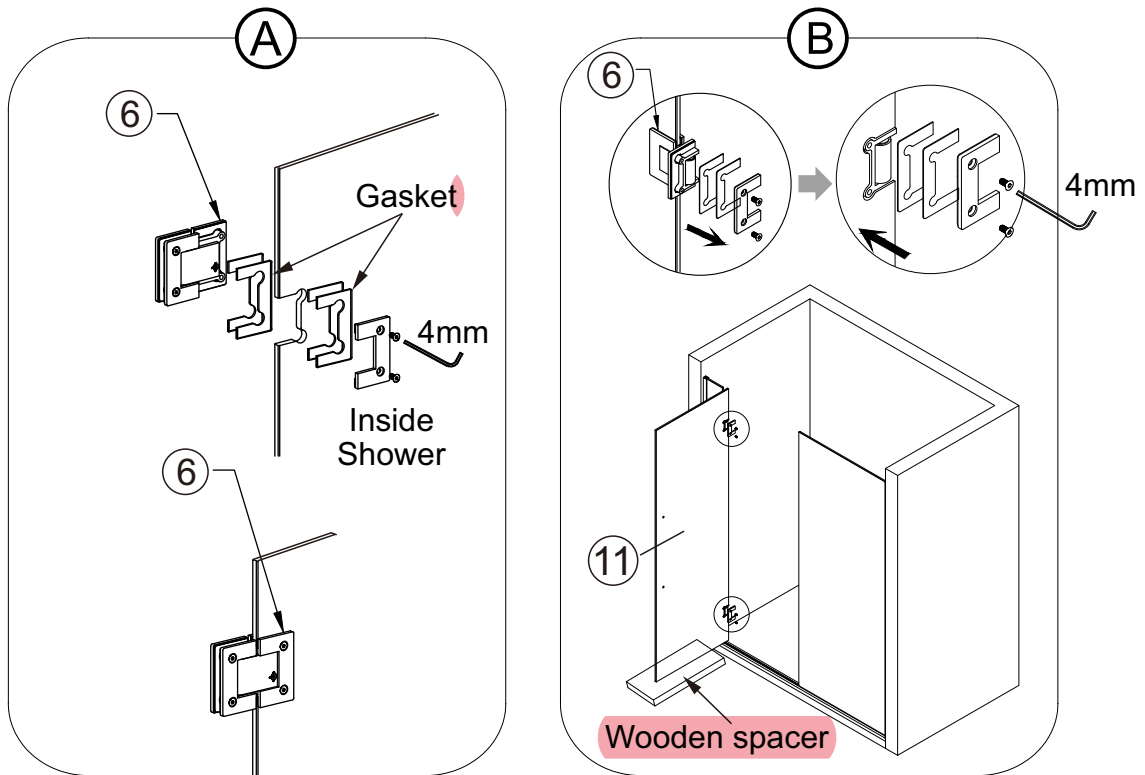
Make sure the side of the glass with nano coating faced to shower as indicated on the label.



# INSTALLATION STEPS

## 6. Install the hinge.

- A. Unassemble the hinge. Attach the Glass-to-Glass Hinges to the hinge panel with bolts facing inside the shower. Tighten the hinge evenly.
- B. Set the hinge to 90 degrees gently. Prepare wooden spacer beneath the door panel. Attach the hinge to the door panel. Tighten the screw evenly.
- C. Check for level and plumb. Snap in the decorative bolt caps.



### ! NOTE!

Clean the hinge gasket and the glass around the hinge notches with an ammonia-free glass cleaner before installing the hinges onto the glass.

### ! WARNING!

The hinges are factory set to overclose in order to provide a tight seal.

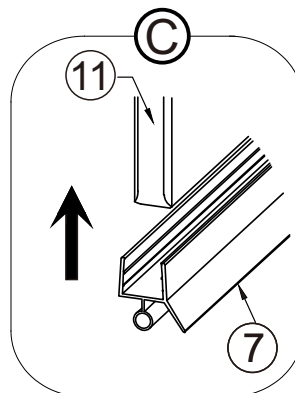
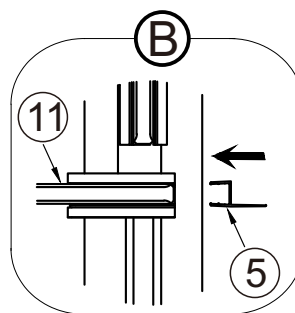
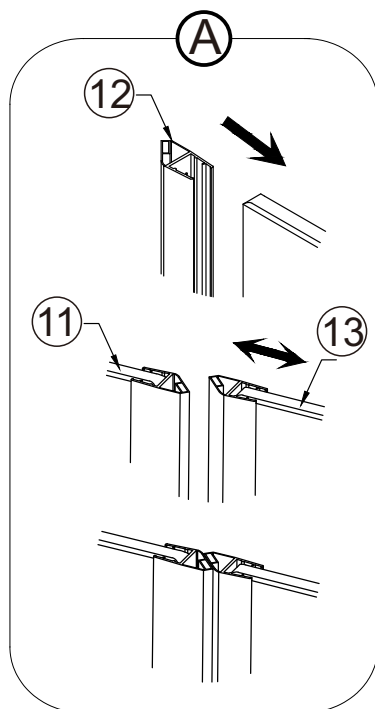
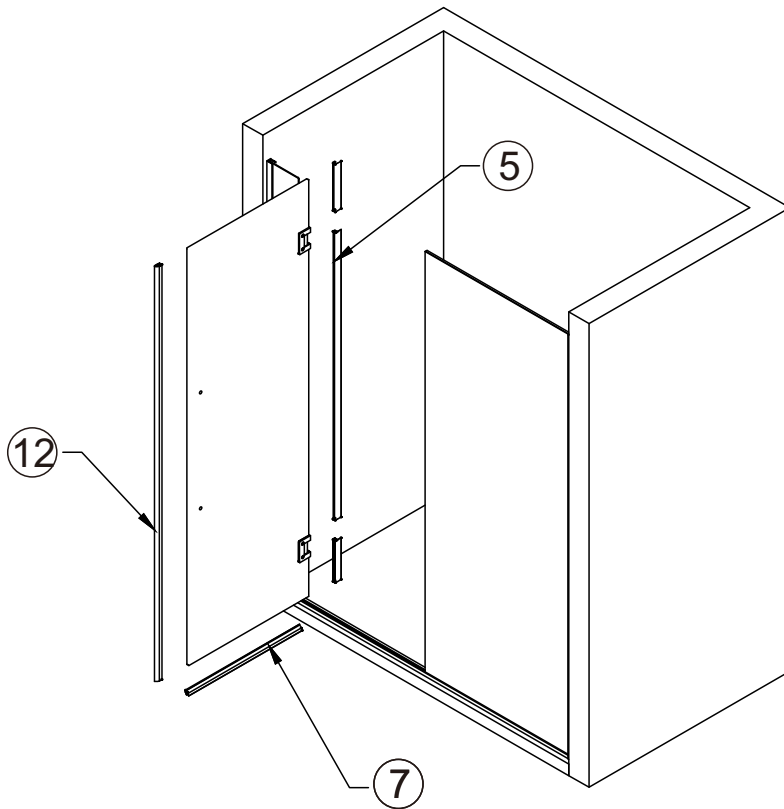
### ! NOTE!

There are 3 speed positions on the hinge. The hinges are pre-set to a default speed to close the door at position 1. If you want the door to close faster, you could use allen key to adjust to position 2 or 3.



# INSTALLATION STEPS

7. Install the Bottom Sweep Vinyl and Hinge-Side Vinyl Seal.
  - A. Install the magnetic seal strip onto hinge panel and door glass. Adjust its position if needed to make sure the seal is tight.
  - B. Measure and cut the vinyl seal into 3 pieces. Slide them onto the door panel to cover the space between glass panels.
  - C. Measure the bottom of the Door Glass from side to side to determine the actual width of the door. Cut the bottom sweep vinyl to the size of the measurement.



# INSTALLATION STEPS

8. Install the door handle. Be sure to use all of the supplied rubber gaskets to protect the glass. Apply a good quality mildew-resistant silicone caulk on the walls and threshold along the bottom profile and wall profiles. Allow 24 hours to cure fully before using the shower.

