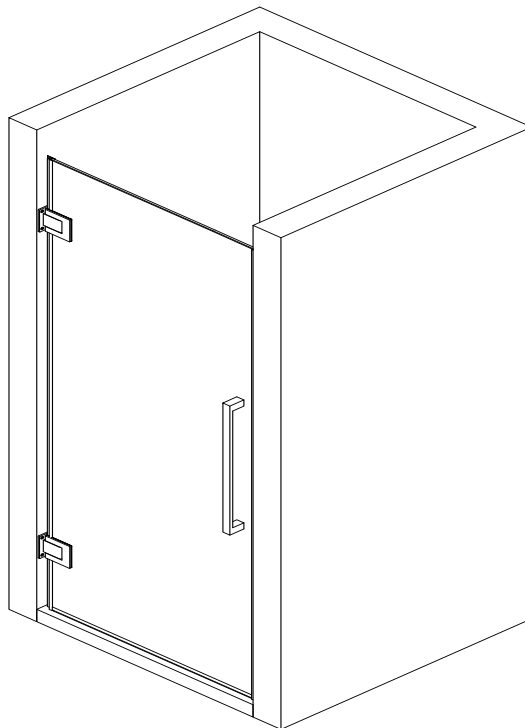


# Wall-Mounted Hinge Shower Door

For 3/8 inch (10mm) Glass

## INSTALLATION GUIDE



Type A

### Right hand door installation shown

---

CAUTION: To reduce the risk of breakage, keep corner protectors on glass while installing.

Consult your local plumbing codes prior to installation.

IMPORTANT: To complete an entire door installation, you will need the following:

1. One carton containing (1) Door panel
2. One carton containing Hardware kit with door handle

# TABLE OF CONTENT

TABLE OF CONTENT .....	2
SAFETY INFORMATION .....	3
CARE AND MAINTENANCE.....	3
PACKAGE CONTENT .....	4
PART LIST .....	6
REVERSIBLE DESIGN.....	7
TOOLS REQUIRED .....	8
INSTALLATION STEPS.....	9



## SAFETY INFORMATION

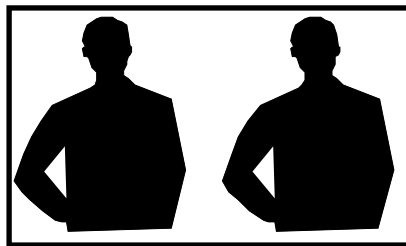
### CAUTION

Please carefully read the following important safety information before handling or installing this shower. There is a risk of serious injury while handling this product. To minimize these risks, please note:

- Always wear safety glasses and gloves while handling.
- Always read and follow all the steps in the installation instructions.
- Inspect all contents and glass for damage before installation.
- Extreme caution should be taken while handling the glass during installation as the tempered glass may shatter if in contact with a hard surface.
- Handle the tempered glass with caution! Improperly handling the glass can cause it to break suddenly in small pieces (never in pointed fragments).
- Always take all precautions not to touch the tempered glass with any tools during the installation, or after installed.
- Do not cut or modify the tempered glass as it will shatter if cut.
- Carefully remove product from packaging and keep packaging until installation is complete.
- Inspect all parts for damage; if there is damage to the unit prior to installation, please contact customer service
- Install the shower on a floor that is level and able to accommodate the weight of the unit and an occupant.
- Consult local building codes and compliance standards prior to installation and ensure conformity.
- After installation, and from time to time, check the glass for fit and finish to ensure that nothing has come loose since installation.
- Keep this installation manual for future reference.

### NOTICE

- Any modification or alteration from what is specified in this instruction manual will void any and all warranty on this product.
- The distributor is not responsible for any damage to the unit or personal property caused by improper installation. If you disregard instructional warnings, you will void your warranty and possibly deal with water damage.
- Consult the distributor's website for any additional information or question on this product's installation.

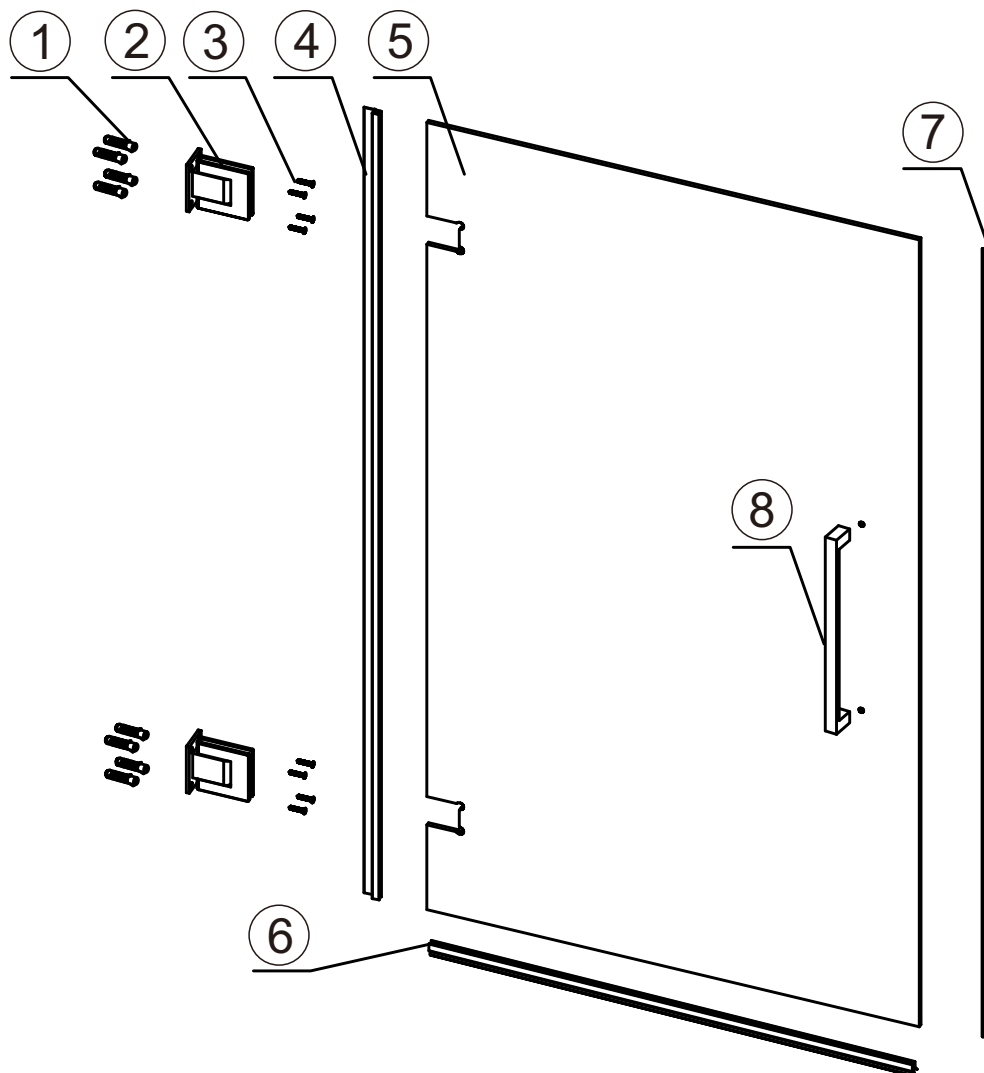


- You will need at least two people to install this unit properly.
- Before beginning assembly of product, make sure all parts are present. Compare parts with package contents list and hardware contents list. If any part is missing or damaged, do not attempt to assemble the product.
- Estimated Assembly Time: 2 hours

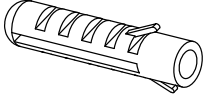
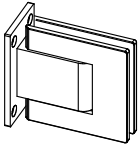
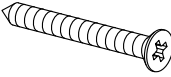

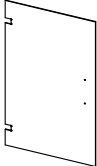
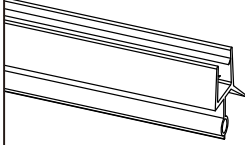
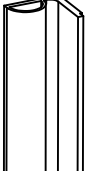

## CARE AND MAINTENANCE

- For the daily maintenance, use a wet cloth and a soft liquid cleaner.
- Never use abrasive cleaners containing some acetone, chlorine or strong bleach, scrapers, metallic brushes, nor other objects or the products which can graze or tarnish surfaces.
- Check every 4 months and re-tighten them if necessary.

# PACKAGE CONTENT



# PACKAGE CONTENT

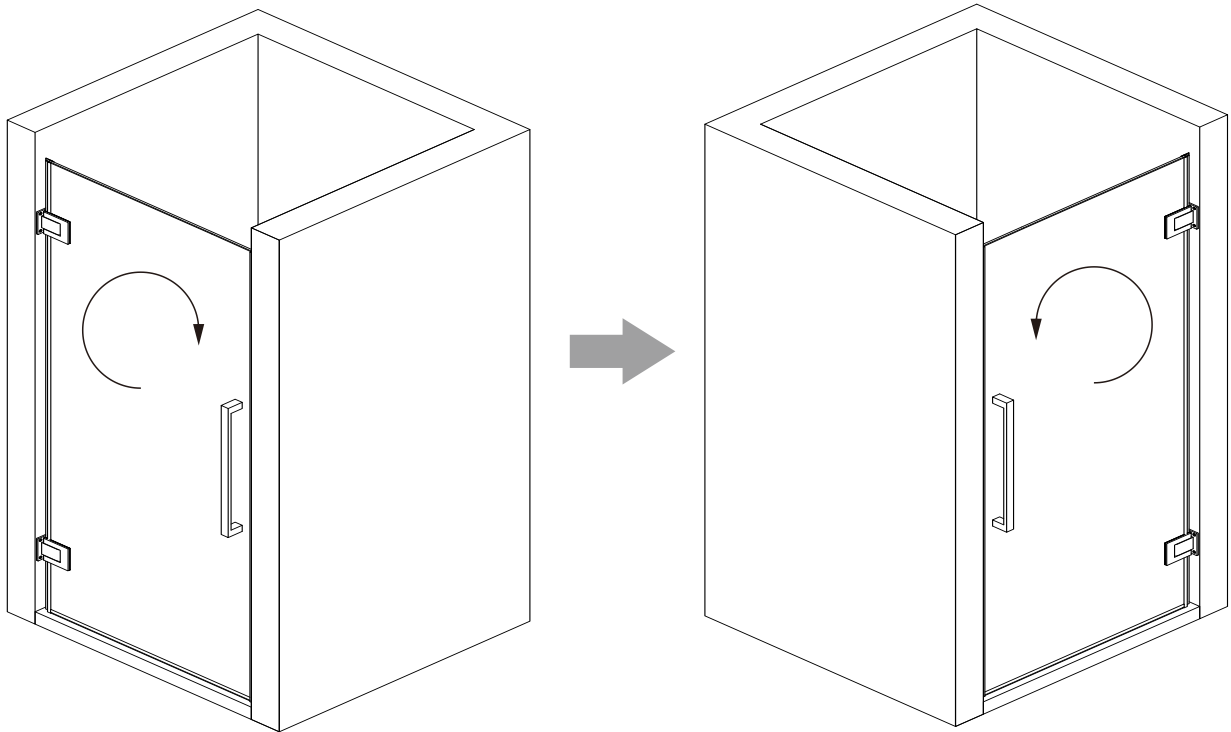
① 8 PC 	② 2 PC 	③ 8 PC  ST5X40	④ 1 PC 
⑤ 1 PC 	⑥ 1 PC 	⑦ 1 PC 	⑧* 1 PC  * The handles are subject to your choice. The image shown is for reference only.

# PART LIST

Part number	Description	Quantity	Code
1	Wall Anchor	8	LF-LD00005
2	Wall-to-Glass Hinge	2	LF-HAB001-XX
3	ST5x40 Countersunk Screw	8	LF-HAB002-XX
4	Hinge Side Vinyl Seal	1	LF-JT00192
5	Door Panel	1	LF-GAB001
6	Bottom Sweep Vinyl Seal	1	LF-JT00191
7	L-Strike Vinyl Seal	1	LF-JT00189
8*	Handle	1	

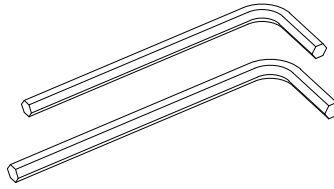
XX indicate hardware finish: PC = Polished Chrome; BS = Brushed Stainless; MB = Matte Black; CB = Champagne Bronze

# REVERSIBLE DESIGN



The doors are reversible for left or right-hand door installation. This manual will show the right hand door installation. For a left hand door installation, simply begin on the opposite wall and reverse the orientation of parts as necessary.

## TOOLS REQUIRED (Supplied )

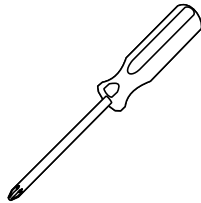


2. 5mm & 4mm

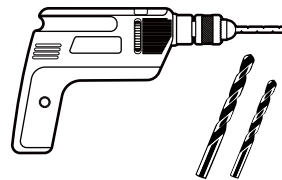
## TOOLS REQUIRED (Not Supplied )



Pencil



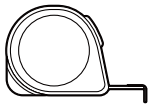
Screwdriver



Drill and drill bits  
ø8/25"[8mm]  
ø6/25"[6mm]  
ø1/8"[3mm]



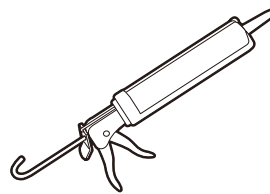
Cutter



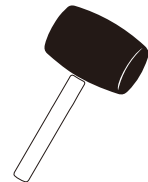
Measuring tape



Level



Silicone



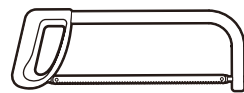
Rubber mallet



Safety gloves



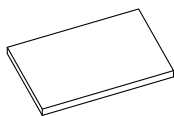
Safety glasses



Hacksaw



Masking tape



Wooden Spacer

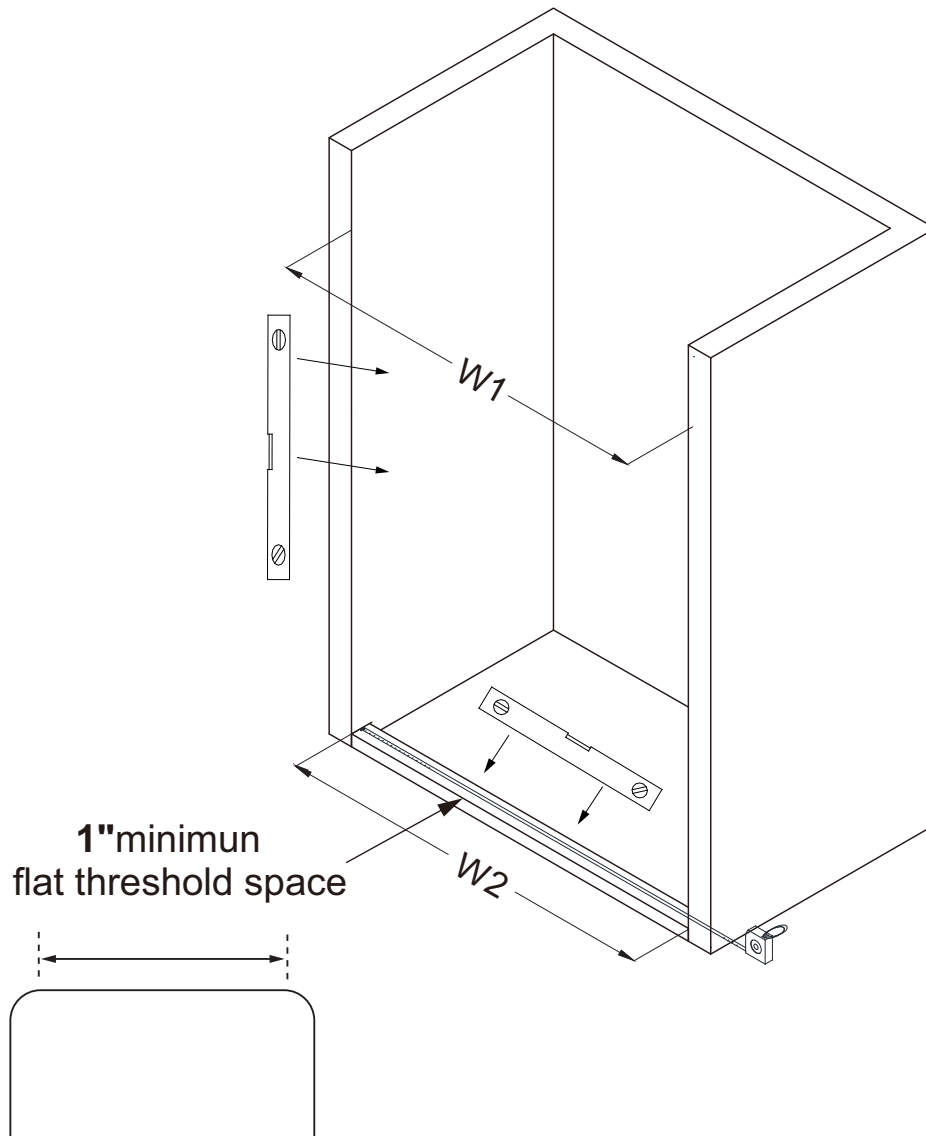


Professional-grade  
Glass suction cup



## INSTALLATION STEPS

1. Measure the finished opening width at the bottom and the model height. Use these dimensions as "**W1**" (top) and "**W2**" (bottom). Compare W1 and W2, use the smaller number as finished opening size. This door does NOT have any adjustment for overall width. Verify that the model size ordered will fit the finished opening before beginning installation.



### **! WARNING!**

This door requires a minimum 1"[25mm] of flat threshold space for installation.

### **! WARNING!**

Threshold must be level. The door may not function properly if the threshold is out-of-level.

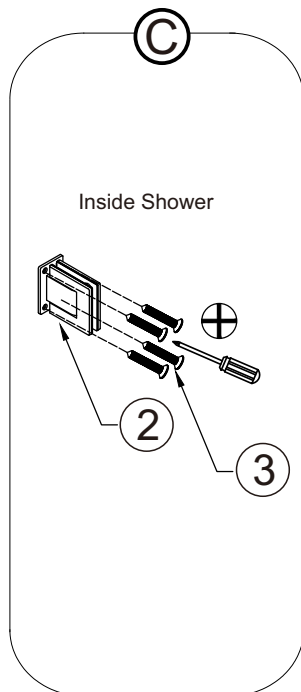
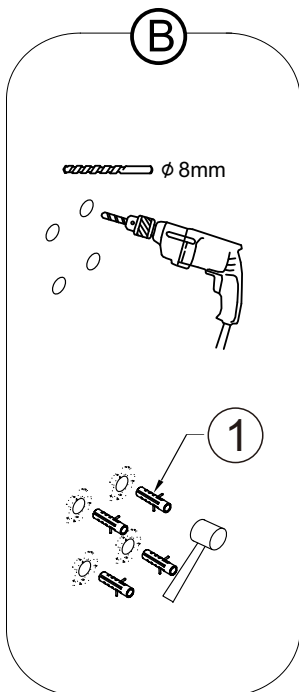
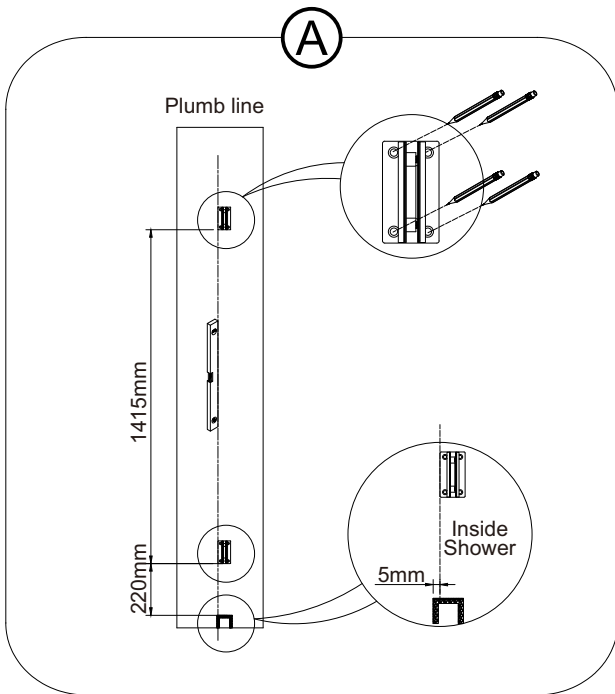
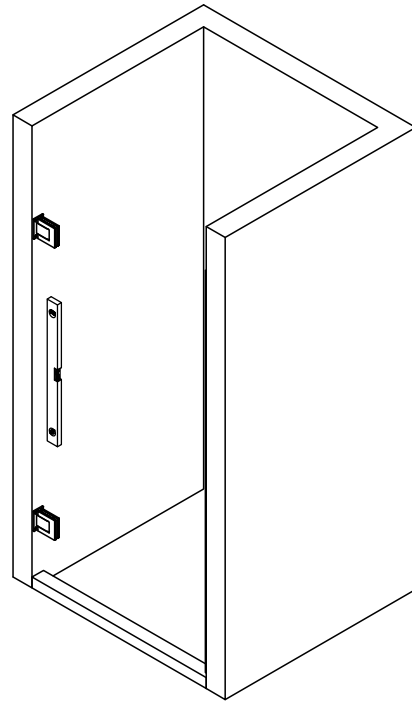
### **! WARNING!**

This door has limited space for adjustment of out of plumb. The hinge should not be adjust more than 1/5" for of out of plumb. The L-strike vinyl seal should not be adjusted more than 3/8" for out of plumb. If the wall is more than these out of plumb, the door may not function properly.

# INSTALLATION STEPS

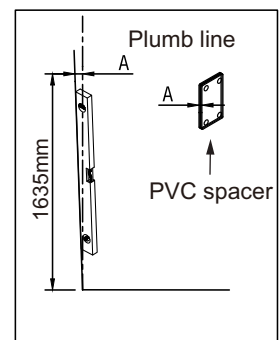
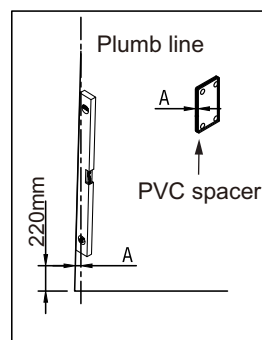
## 2. Install the hinge.

- A. Draw a line on the wall to represent the outside edge of the hinge. Mark the drill holes for both hinges on the wall.
- B. Drill holes in the wall and install wall anchors.
- C. Install the hinge to the wall. Make sure the face with hex screw hole facing shower inside. Be careful not to scratch the hinge surfaces during installation.



### ! NOTE!

There are 4 PVC (2pcs 1mm and 2pcs 2mm) hinge spacers provided to compensate for minor out-of-plumb wall conditions. Use them only when it is necessary. The out of plumb(A) of the wall for hinge should be not more than 1/5".



### ! WARNING!

The door is very heavy and the hinges on this door must be installed into studs or to pre-installed 2"x6" wood reinforcement behind the wall.

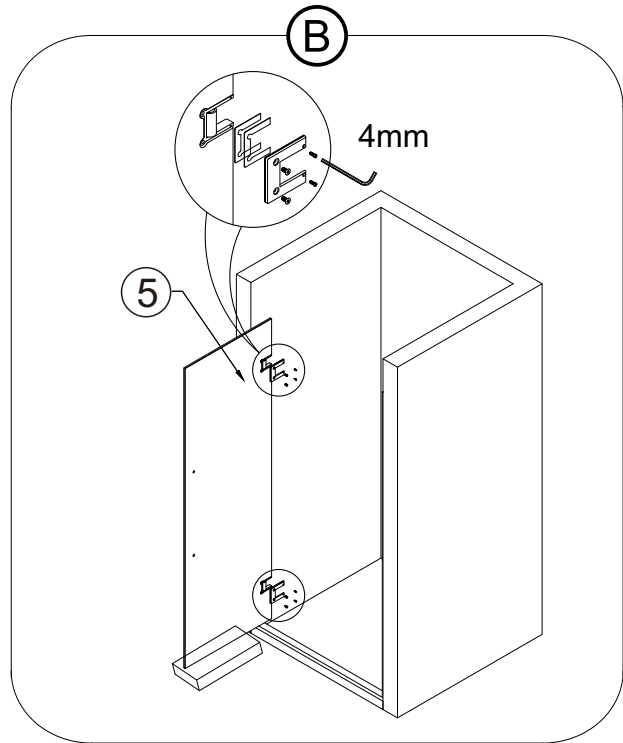
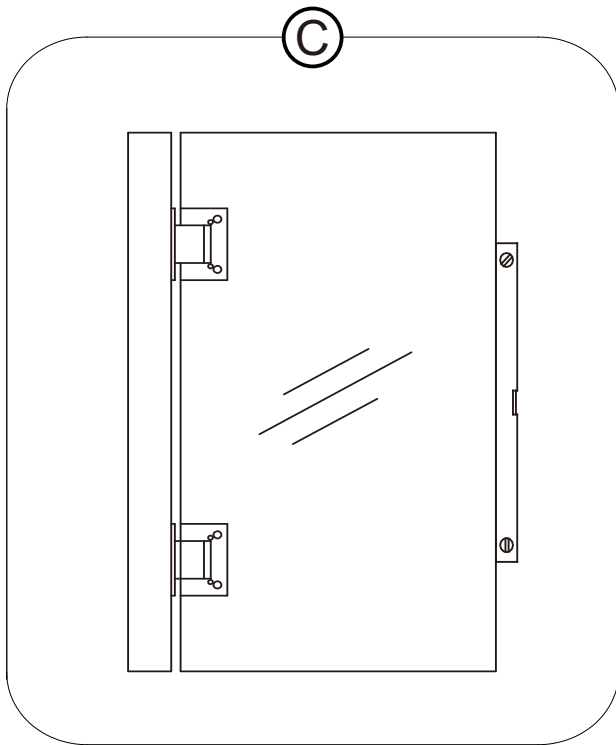
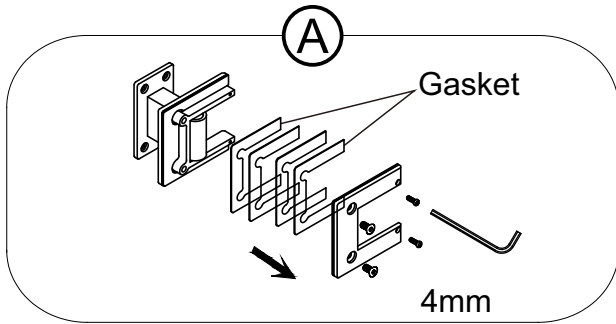
# INSTALLATION STEPS

3. Install the door.

A. Unassemble the hinge.

B. Set the hinge to 90 degrees gently. Prepare wooden spacer beneath the door panel. Attach the hinge to the door panel. Tighten the screw evenly. Make sure both sides have gaskets.

C. Check for level and plumb. Snap in the decorative bolt caps.



## ! NOTE!

Clean the hinge gasket and the glass around the hinge notches with an ammonia-free glass cleaner before installing the hinges onto the glass.

## ! WARNING!

The hinges are factory set to overclose in order to provide a tight seal.

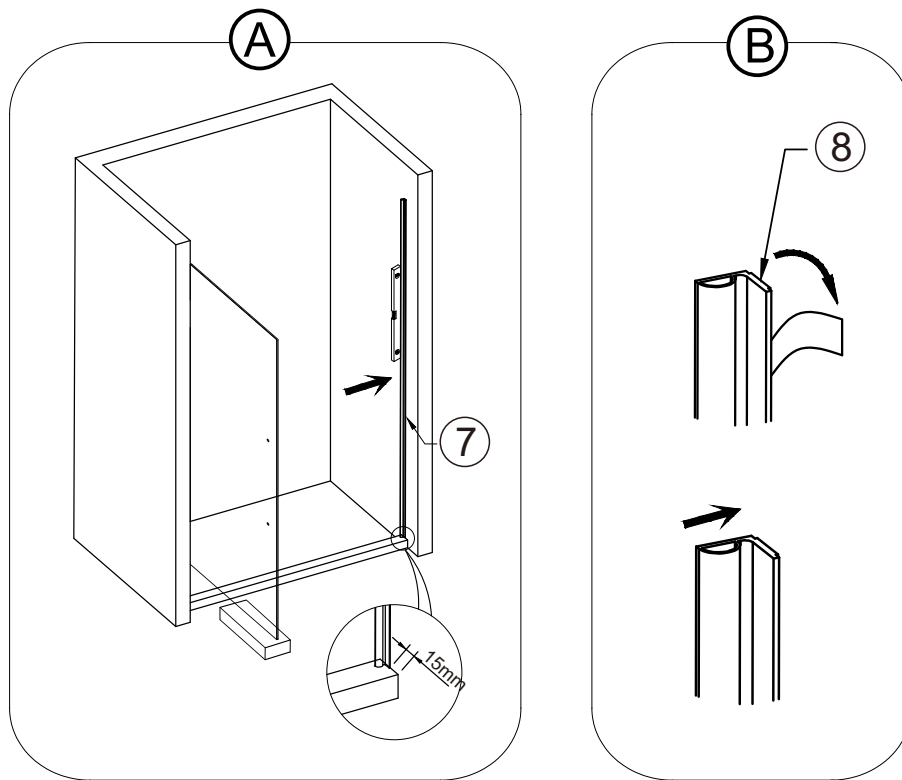
## ! NOTE!

There are 3 speed positions on the hinge. The hinges are pre-set to a default speed to close the door at position 1. If you want the door to close faster, you could use allen key to adjust to position 2 or 3.

## INSTALLATION STEPS

### 4. Attach L-Strike Vinyl to the wall.

- A. Draw a line on the threshold and up the wall to represent the outside edge of L-Strike Vinyl Seal. Make sure it is 2/5"[10mm] more than the alignment line to the direction of inside shower in step 2A.
- B. Remove the tape from the back of the vinyl. Place it to the wall. Allow time for the adhesive to set before allowing the door to close against the L-Strike Vinyl.



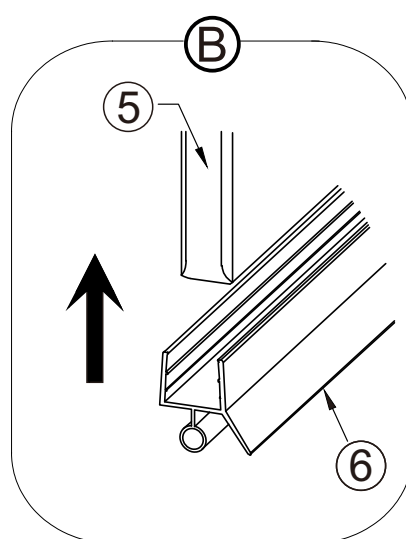
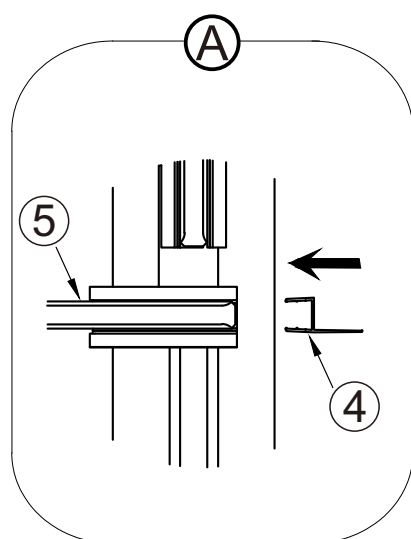
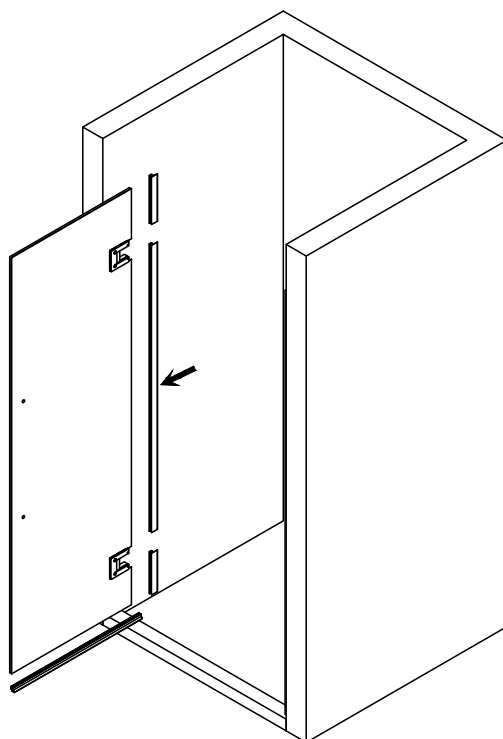
### ! NOTE!

Please make sure the section of the wall where you put L-strike vinyl is clean, dry, and free from soap, oil, or debris. The L-strike vinyl seal should not be adjusted more than 3/8" for out of plumb.

# INSTALLATION STEPS

## 5. Install the Bottom Sweep Vinyl and Hinge-Side Vinyl Seal.

- A. Measure and cut the vinyl seal into 3 pieces. Slide them onto the door panel to cover the space between glass panels.
- B. Measure the bottom of the Door Glass from side to side to determine the actual width of the door. Cut the bottom sweep vinyl to the size of the measurement.



# INSTALLATION STEPS

6. Install the door handle. Be sure to use all of the supplied rubber gaskets to protect the glass. Apply a good quality mildew-resistant silicone caulk on the walls and threshold along the bottom profile and wall profiles. Allow 24 hours to cure fully before using the shower.

