

FEATURES

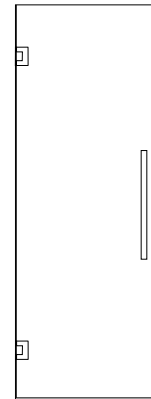
- An attractive, frameless smooth soft close shower door that features a special Nano protected surface treatment that keeps glass looking clean.
- Includes wall mounted door only.
- New TruMotion technology features premium engineered hydraulic hinge for easy and quiet soft closing doors.
- SUS304 material for hinge.
- Reversible Design for left hand door or right hand door.
- Max 1/5" adjustment for out of plumb on hinge side and Max 3/8" adjustment for out of plumb on another side with L-strike vinyl seal.
- Wall opening size range from 24" to 30" with 1" incremental.
- 76" Clearance Height.
- Tempered glass is ANSI Z97.1. certified. Glass thickness: 3/8" (10mm) available in Clear.
- Hardware finishes: Polished Chrome, Brushed Stainless, Matte Black, and Champagne Bronze.
- Shower base threshold minimum requirement is 1" wide.
- IMPORTANT! All measurements should be taken only AFTER walls are finished (tile, back walls, etc.); Professional installation recommended.
- Limited Lifetime Warranty for residential use and 1 year when used commercially.

TruMOTION



Specify Model - Using Configuration Measurements below

	Size	Model	Glass	Wall-to-wall opening Size (A)	Door Height (B)	Door Width (C)	Walk-in width (D)	Weight
<input type="checkbox"/>	24" x 76"	EHTA-247610C-	Clear (10 mm)	24"	76"	24"	20.5"	98 lbs.
<input type="checkbox"/>	25" x 76"	EHTA-257610C-	Clear (10 mm)	25"	76"	25"	21.5"	100 lbs.
<input type="checkbox"/>	26" x 76"	EHTA-267610C-	Clear (10 mm)	26"	76"	26"	22.5"	102 lbs.
<input type="checkbox"/>	27" x 76"	EHTA-277610C-	Clear (10 mm)	27"	76"	27"	23.5"	104 lbs.
<input type="checkbox"/>	28" x 76"	EHTA-287610C-	Clear (10 mm)	28"	76"	28"	24.5"	106 lbs.
<input type="checkbox"/>	29" x 76"	EHTA-297610C-	Clear (10 mm)	29"	76"	29"	25.5"	109 lbs.
<input type="checkbox"/>	30" x 76"	EHTA-307610C-	Clear (10 mm)	30"	76"	30"	26.5"	111 lbs.



To Be Specified : Hardware Color

<input type="checkbox"/>	PC Chrome
<input type="checkbox"/>	BN Brushed Nickel
<input type="checkbox"/>	CB Champagne Bronze
<input type="checkbox"/>	MB Matte Black

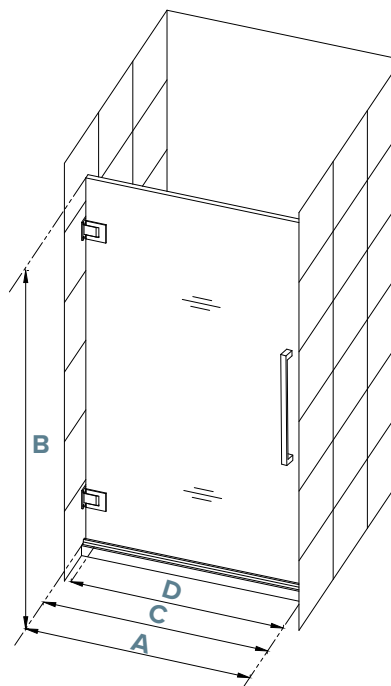


To Be Specified : Glass

<input type="checkbox"/>	C Clear
--------------------------	---------



Clear



CONFIGURATION MEASUREMENTS:

A: Wall-to-wall Opening Size

B: Door Height

C: Door Width

D: Walk-in Width

FEATURES

- Handles are available in 2 distinctive series.
- Handle size is 19.69" (500mm) center hole to center hole.
- Finish: Polished Chrome (PC), Brushed Stainless (BS), Champagne Bronze (CB) and Matte Black (MB)
- Limited Lifetime Warranty for residential use and 1 year when used commercially.

Diamond & Meridian Series Shower Door Handles

Our extensive collection of high end handles add a distinctive look to your shower door and bathroom.



* Matching grab bar available in different sizes.

1. Specify Model: Series & Style

Model	Style	Weight
DIAMOND SERIES		
<input type="checkbox"/> DH-BND-D-	Diamond Barn Door Double Sided	3 lbs.
<input type="checkbox"/> DH-BND-K-	Diamond Barn Door Handle & Knob	2 lbs.
MERIDIAN SERIES		
<input type="checkbox"/> MH-BND-D-	Meridian Barn Door Double Sided	3 lbs.
<input type="checkbox"/> MH-BND-K-	Meridian Barn Door Handle & Knob	2 lbs.



2. To Be Specified: Handle Name

<input type="checkbox"/> BK Bella Knurled	<input type="checkbox"/> T Turin
--	---

3. To Be Specified: Color

<input type="checkbox"/> PC Polished Chrome
<input type="checkbox"/> BN Brushed Stainless
<input type="checkbox"/> CB Champagne Bronze
<input type="checkbox"/> MB Matte Black

