

## Features

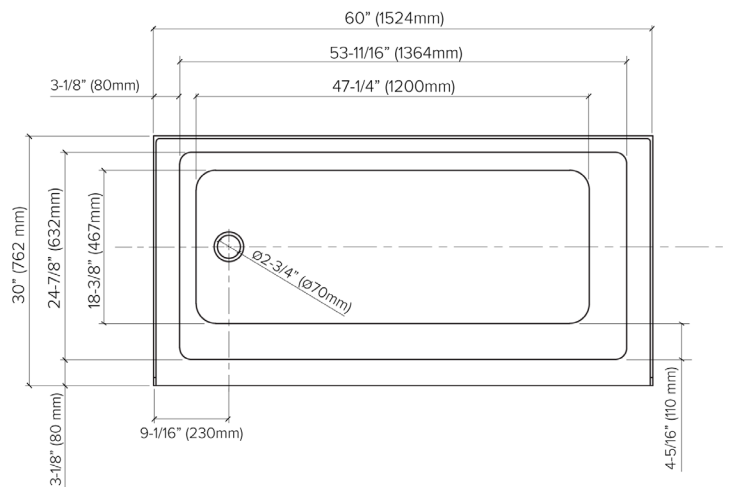
- 60" X 30" x 20-1/4" alcove bathtub.
- Acrylic material.
- Left-hand or right-hand drain location. (Must specify LH or RH when ordering.)
- Standard bathtub: through-the-floor-drain installation.
- Drain not included.
- Built-in linear overflow.
- 10 Year Limited Residential Warranty / 3 Year Commercial Warranty.

## Options:

- **SMTDL - Linear bathtub drain with linear overflow in decorative finishes. See back for information.**

## Specified Model

<b>Model</b>	<b>UATLN603020-L/R</b>
<b>Dimensions</b>	60" x 30" x 20-1/4"
<b>Drain Outlet</b>	Left-Hand or Right-Hand
<b>Water Capacity</b>	67.5 gallons
<b>Item Weight</b>	91.8 lbs.
<b>Shipping Weight</b>	92.67 lbs.
<b>Material</b>	Acrylic
<b>Installation</b>	Alcove
<b>Required</b>	Wall mount faucet

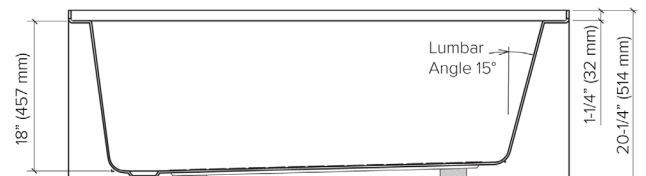
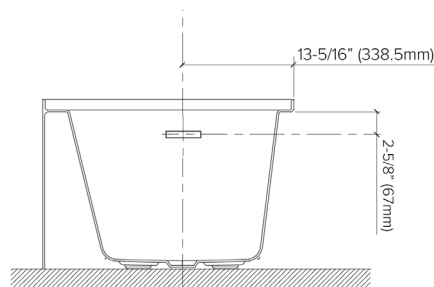


## To Be Specified:

	<b>COLOR</b>
<input type="checkbox"/>	White
	<b>FINISH</b>
<input type="checkbox"/>	Gloss



Gloss White



Meets or Exceeds the Following Specifications  
**CSA B45.5/IAPMO Z124**

**OPTIONAL**

SMTDL bathtub drain in decorative finishes.

**SPECIFICATIONS**

SMTDL Linear Bathtub Drain with Overflow.  
Drain is available in PVC or Copper material.

**Finishes:** PC Polished Chrome and BN Brushed Nickel for both PVC and Copper drains.  
CB Champagne Bronze and MB Matte Black only for PVC drains.

**To Be Specified:**

	FINISH
<input type="checkbox"/>	PC Polished Chrome
<input type="checkbox"/>	BN Brushed Nickel
<input type="checkbox"/>	CB Champagne Bronze
<input type="checkbox"/>	MB Matte Black

