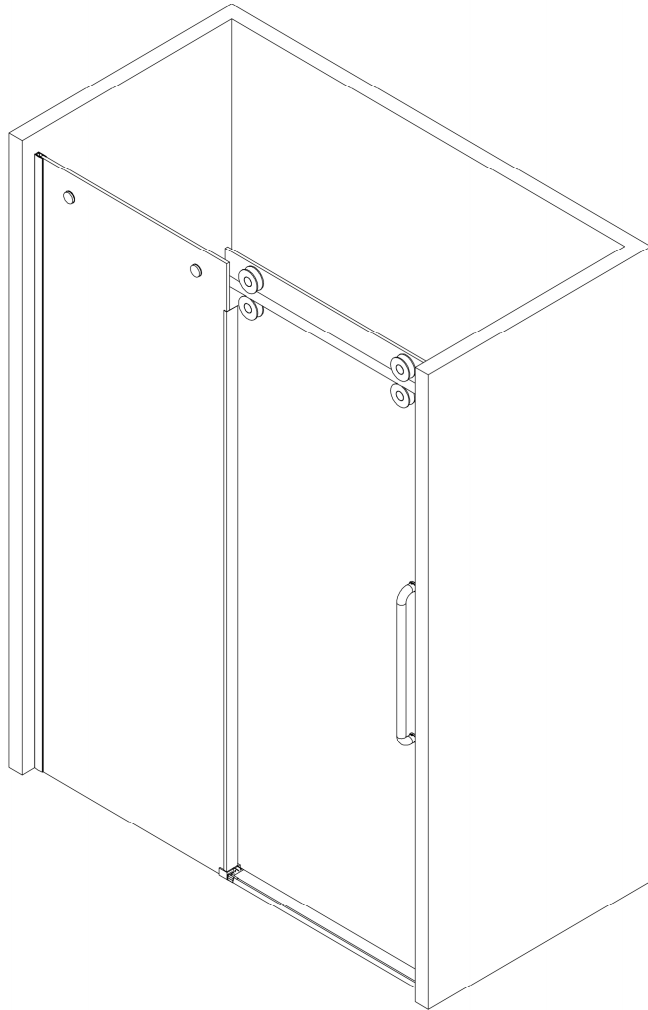


# instruction for installation

## Barn shower door

### TBD608010C/L



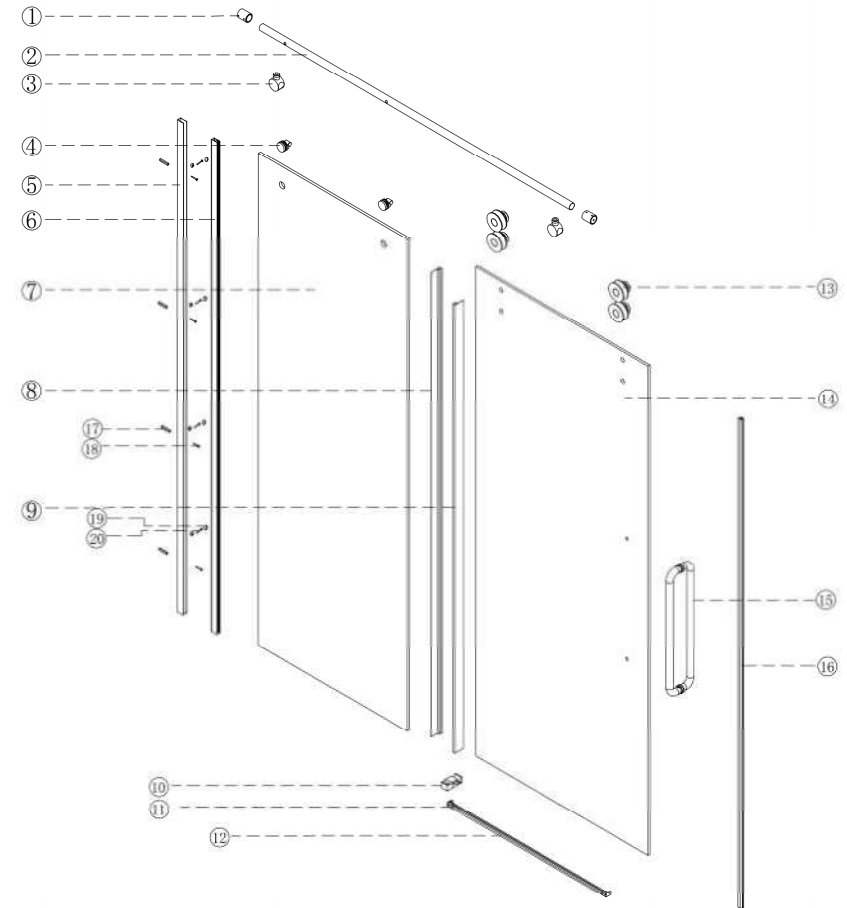
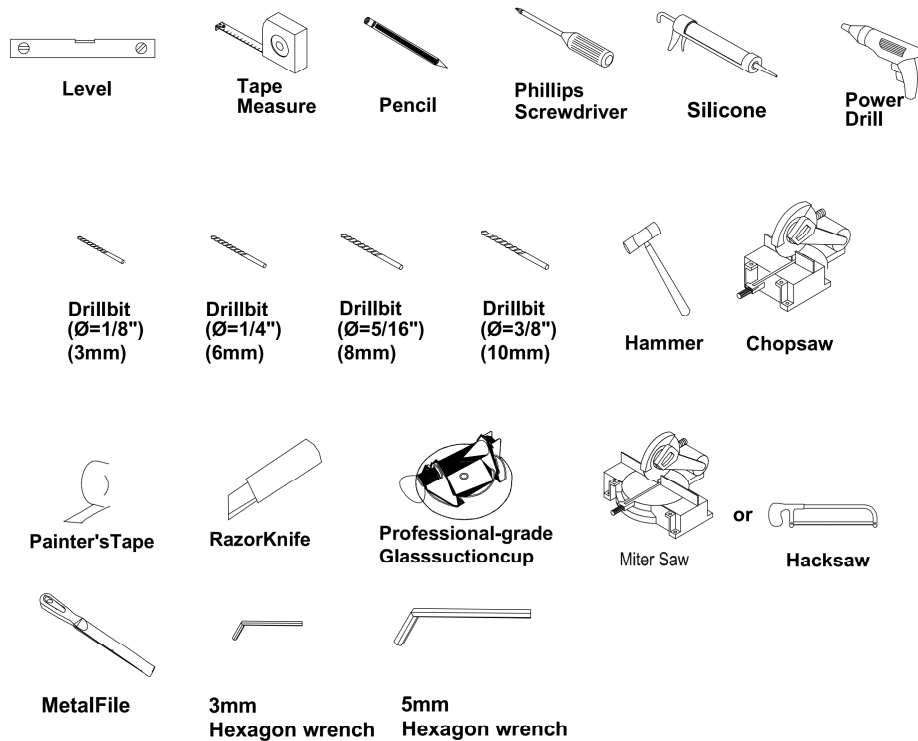
#### Preparation

1. After opening all boxes and packages, read this introduction carefully. Check that all of the needed parts are included in the package by marking all the components on the "detailed Diagram of Shower Door Components". Examine boxes and packages for shipping damage. If the unit has been damaged, has a finishing defect, or is missing parts, please contact our customer support department within 3 business days of the delivery date.
2. If this unit is going to be installed in a new construction, install all of the required plumbing and drainage before installing the shower. Use a competent and licensed (if required by local code) plumber for all plumbing installation.
3. Make sure that prior to beginning the installation, the surfaces are leveled and solid and will be able to support the total weight of the unit. Also make sure the walls are at right angles. Irregular installation surface level, radius corners or improper angle of side walls will result in serious problems for your installation. Please note that some adjustments and drilling might be necessary during the installation process.
4. Protect all primary surfaces of the product during installation. Never set your glass down directly onto a tile floor. Leave corner protectors in place until necessary to remove them. Always use a piece of wood or cardboard to protect the bottom edge and corners of the glass prior to and during installation.
5. This unit must be installed upon a finished threshold and against finished walls.
6. NOTE! This door does not have out-of-plumb adjustment. Make sure your walls are at right
7. angles. . This door requires a minimum 3-17/64" of flat threshold space for installation.
8. Note: The installation of this unit requires that you drill down into the threshold.



Attention: This door is extremely heavy and requires professional installation. Two installers recommended.

## Tools



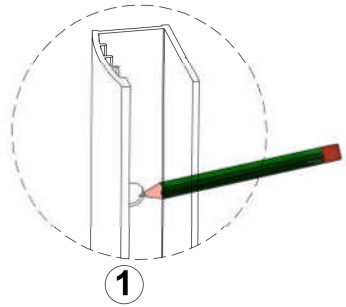
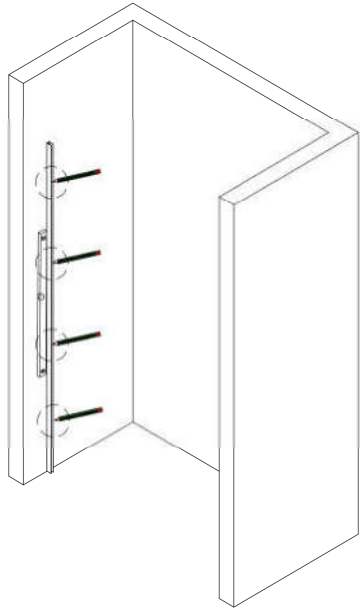
**Tip:** Measure the finished opening before proceeding with the installation to be sure that the correct model size has been ordered.

Be sure to cover the shower drain to prevent losing small parts.

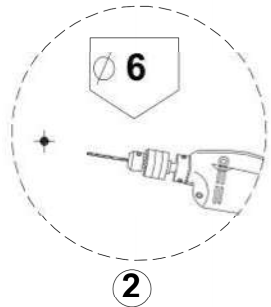
**NOTE:** Unpack your unit carefully and inspect it. Lay it out and identify all parts using the detailed diagram and packing list in this manual as a reference. Before discarding the carton, check for small hardware bags that may have fallen to the bottom of the box.

**NOTE:** Retain these installation instructions for future reference.

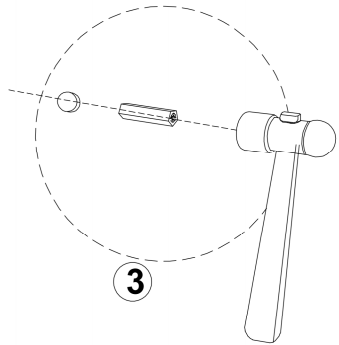
No:	Description	Diagram	QTY	No:	Description	Diagram	QTY
①	top rail wall connector		2	⑪	Bumper		2
②	Top rail		1	⑫	Bottom Waterproof profile		1
③	Anti-collision		2	⑬	Roller		4
④	Mounting parts		2	⑭	Door glass		1
⑤	Wall profile		1	⑮	Handle (option)		2
⑥	Glass profile		1	⑯	Bubble strip		1
⑦	Fix glass		1	⑰	Wallplug Ø6		4
⑧	Door glass water-proof seal		1	⑱	Screw St4x35		4
⑨	Fix glass water-proof seal		1	⑲	Cover of screw		4
⑩	Guide block		1	⑳	Screw St4x16		4



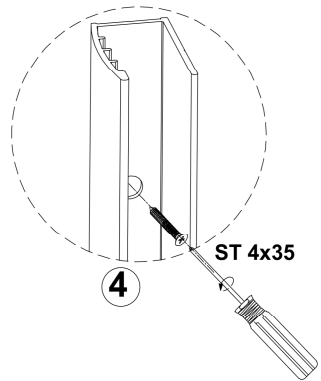
1



2



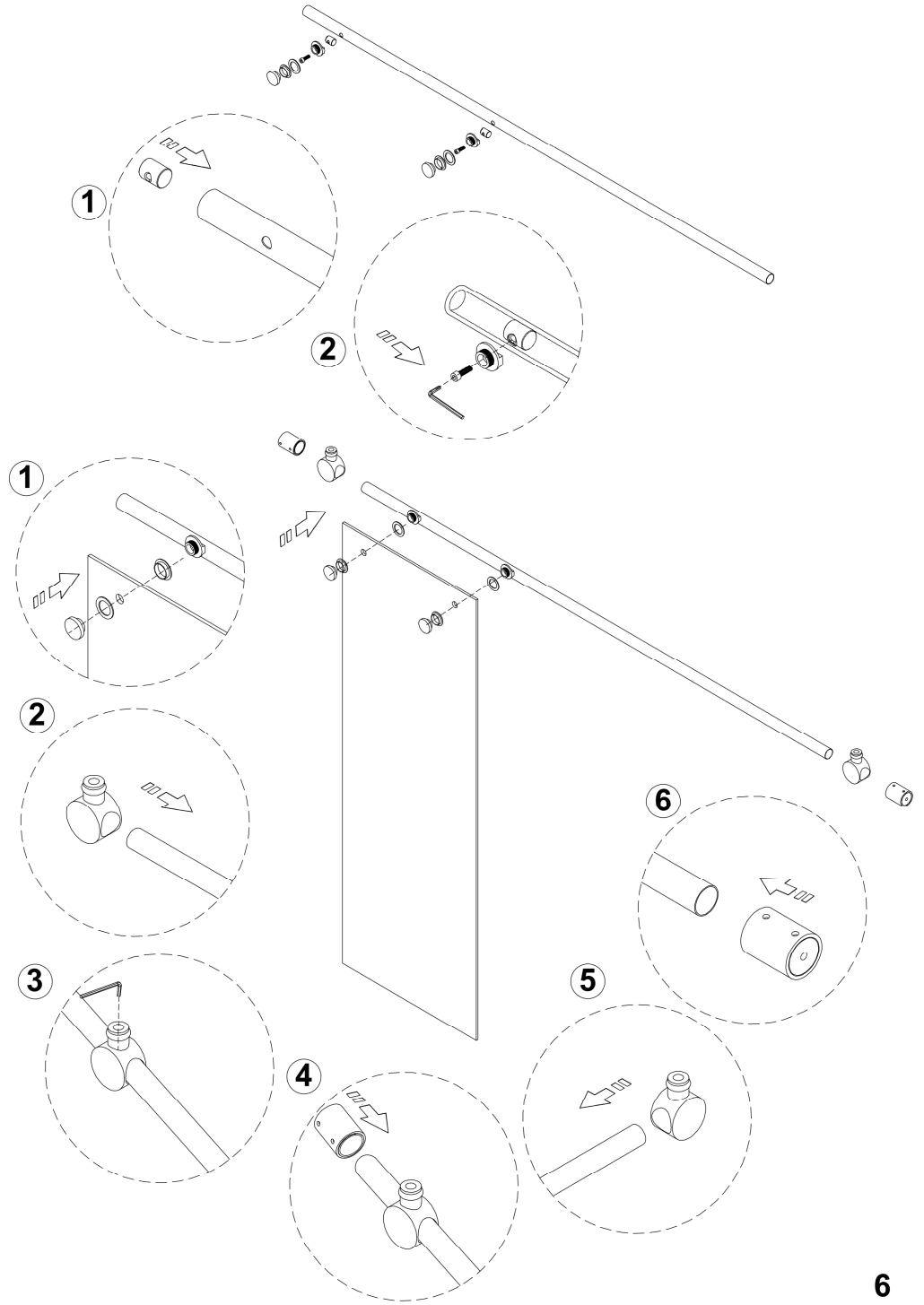
3



4

ST 4x35

5



1

2

1

2

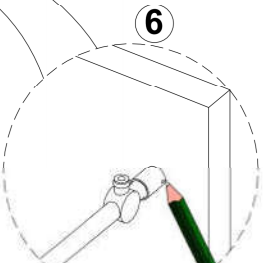
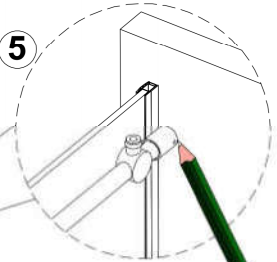
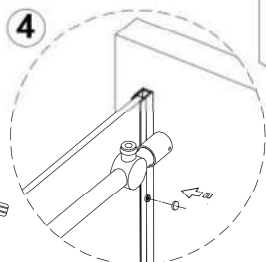
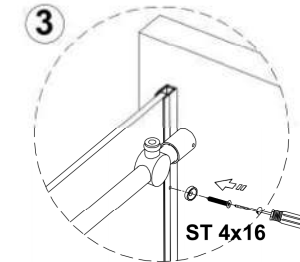
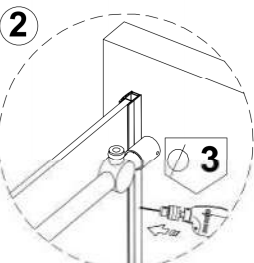
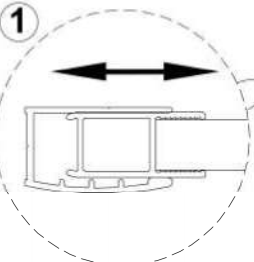
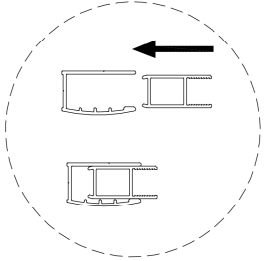
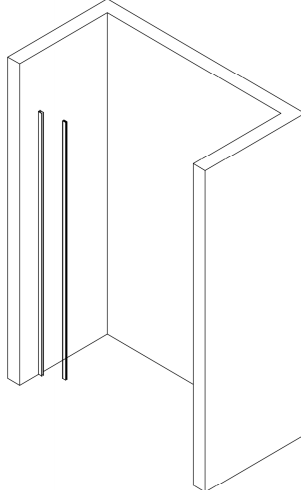
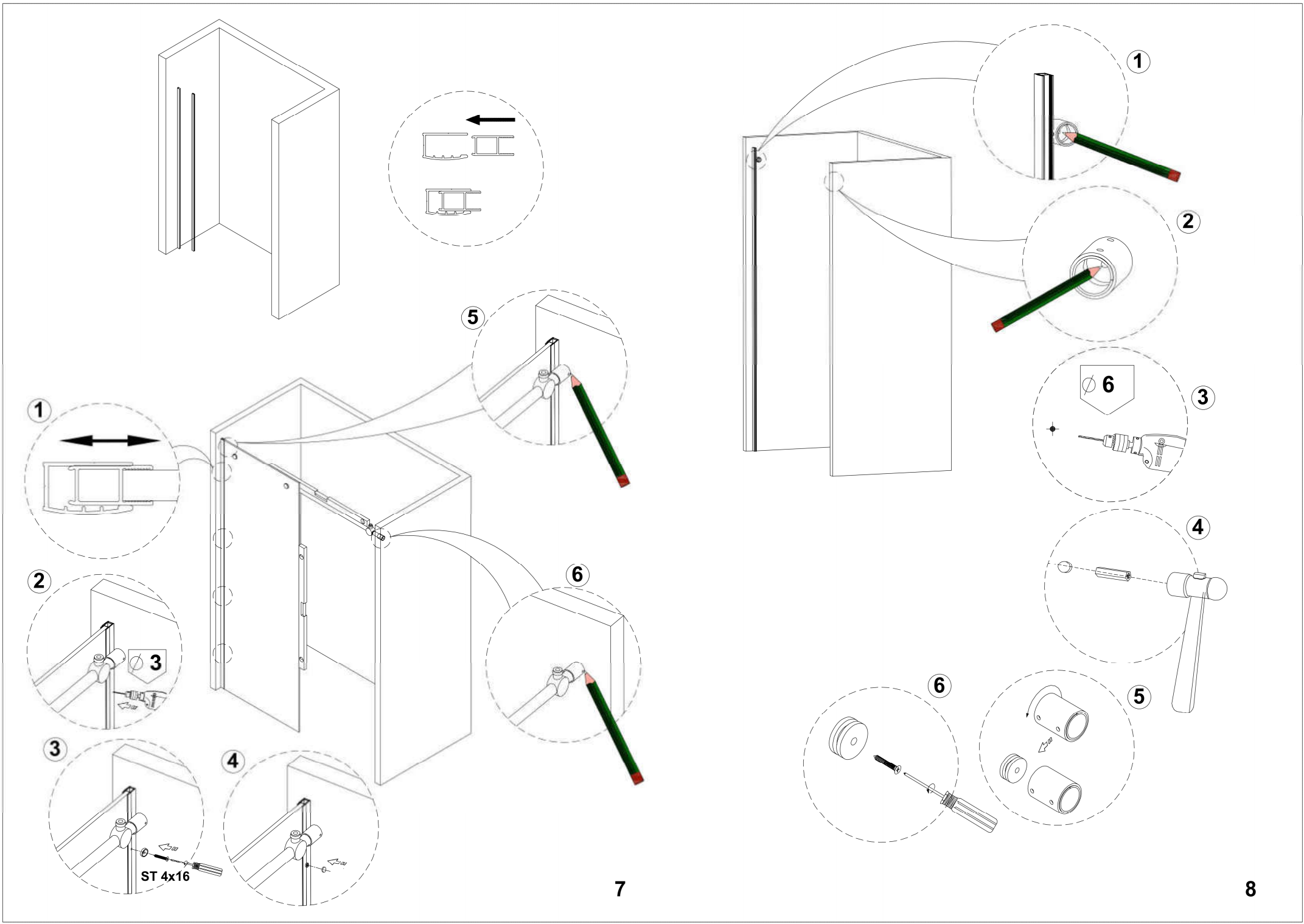
3

4

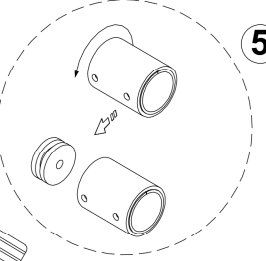
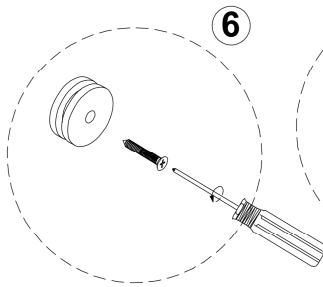
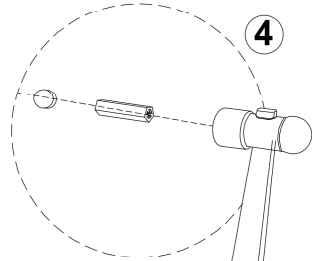
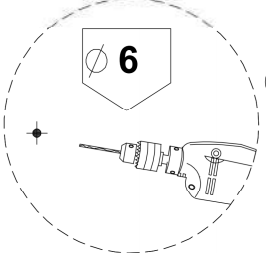
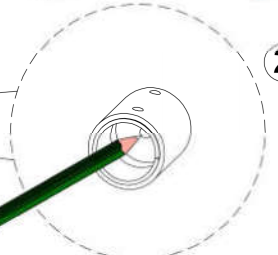
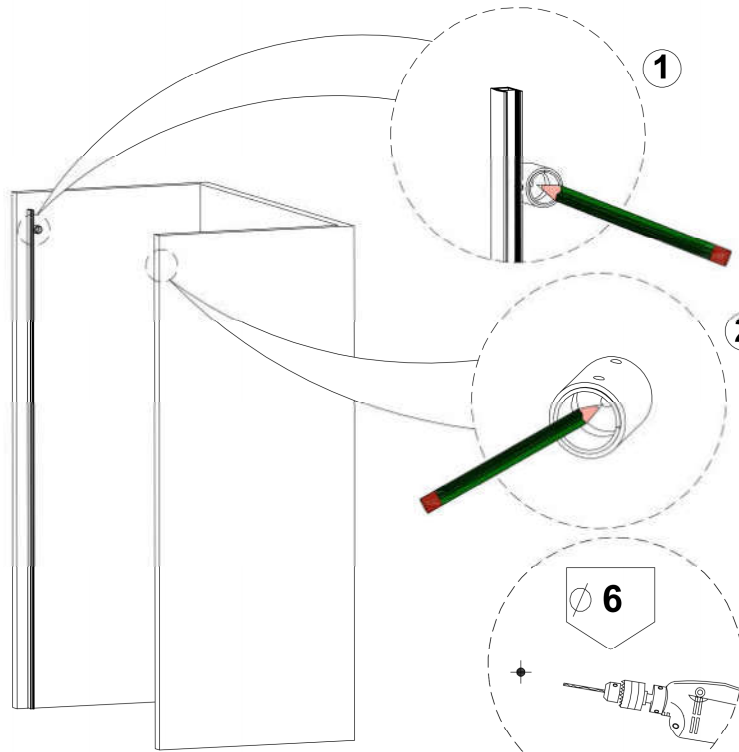
5

6

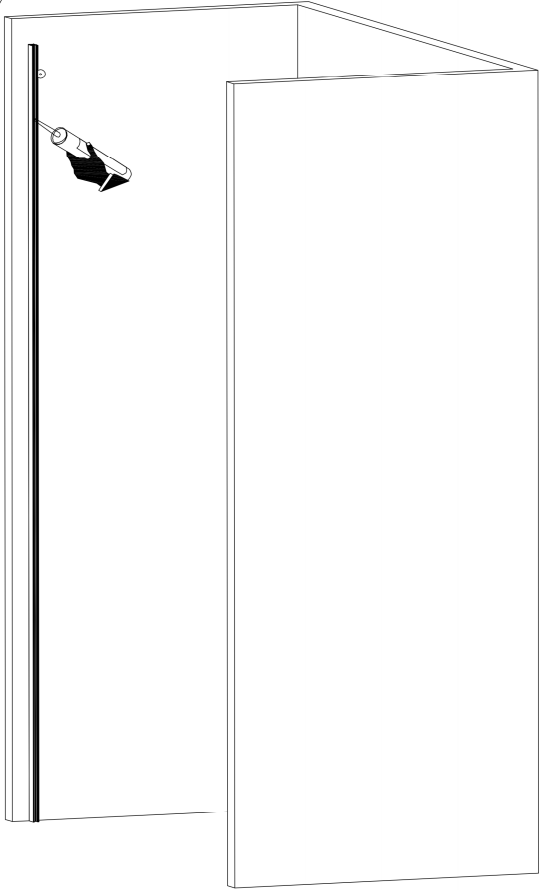
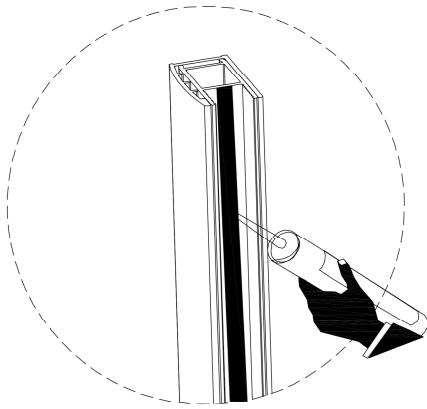
6



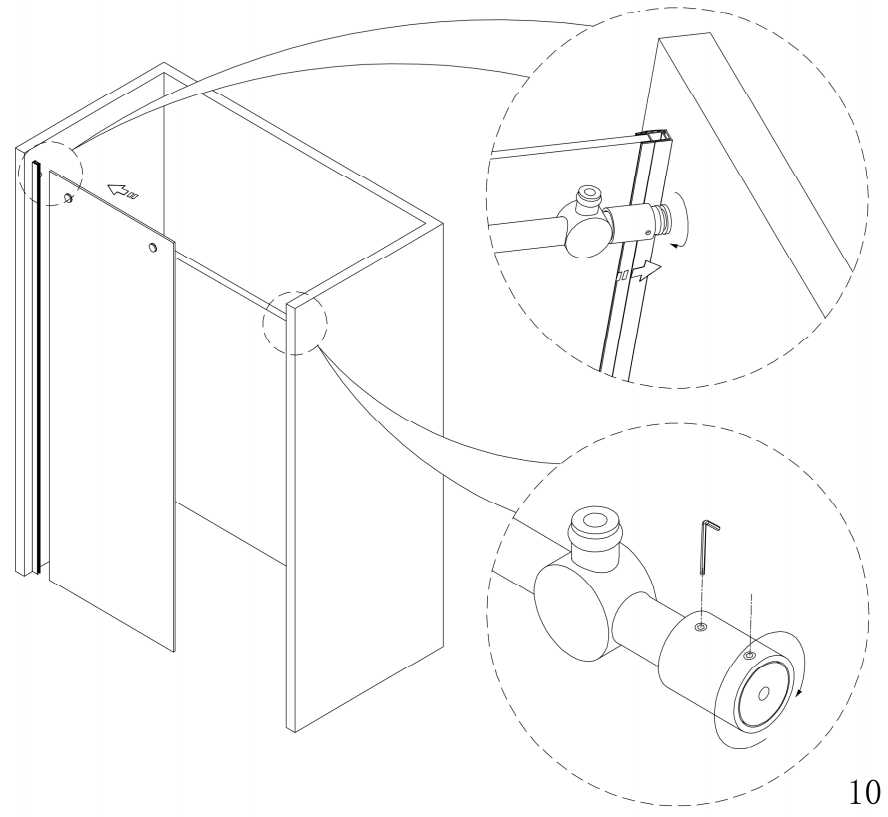
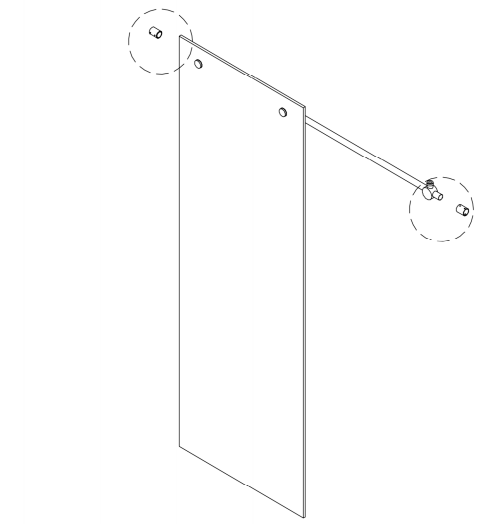
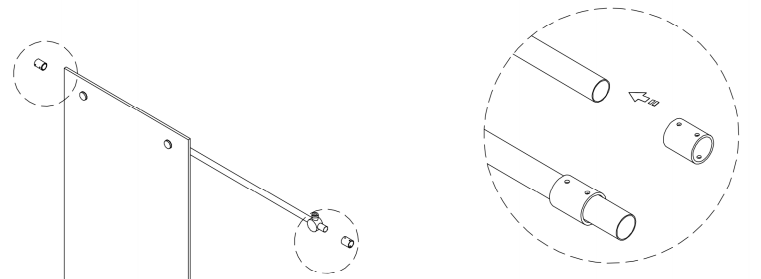
7



8

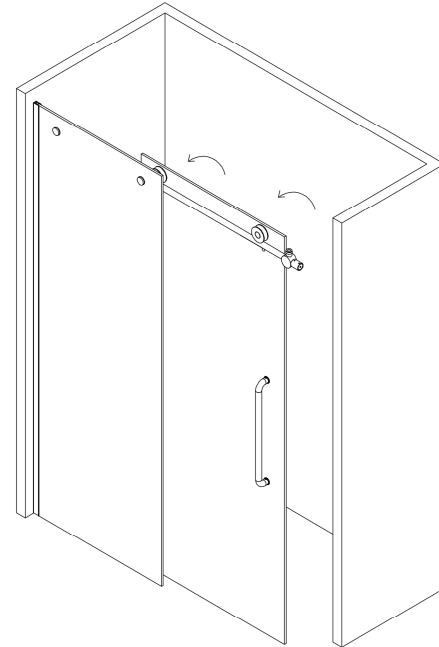
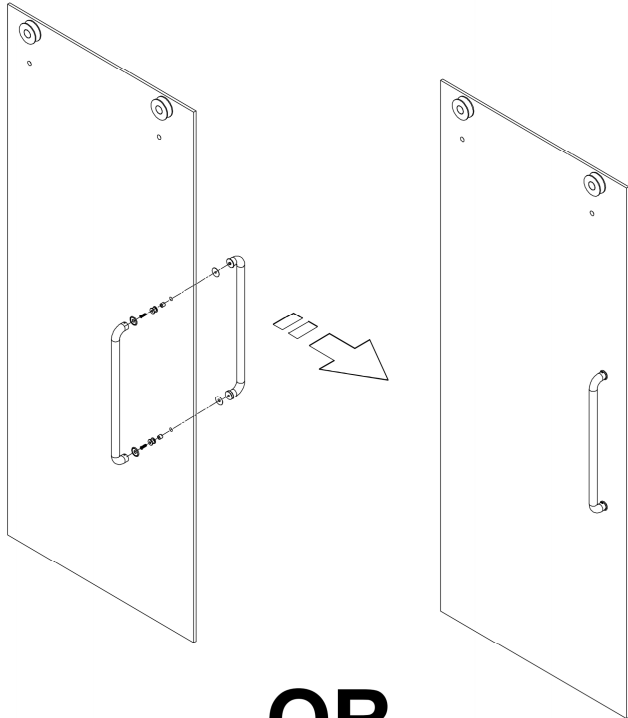


9



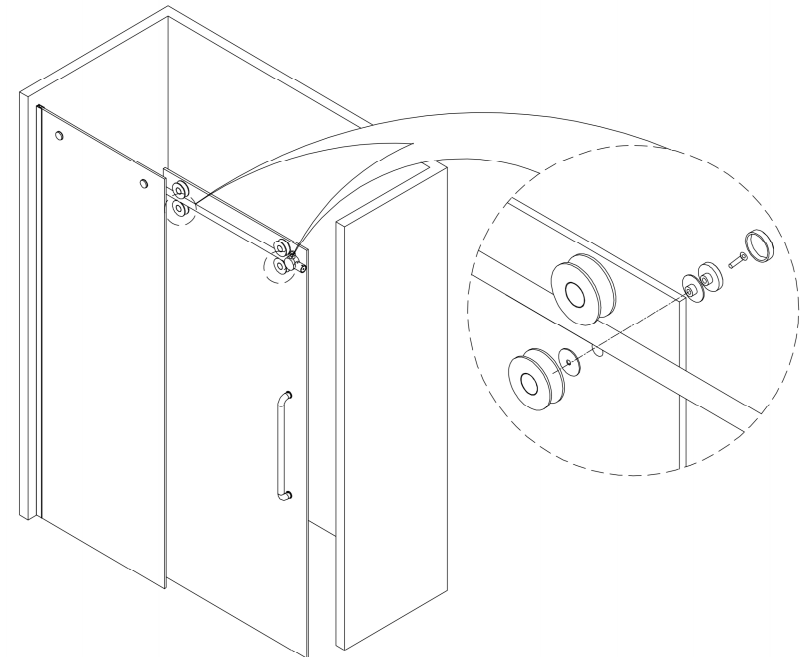
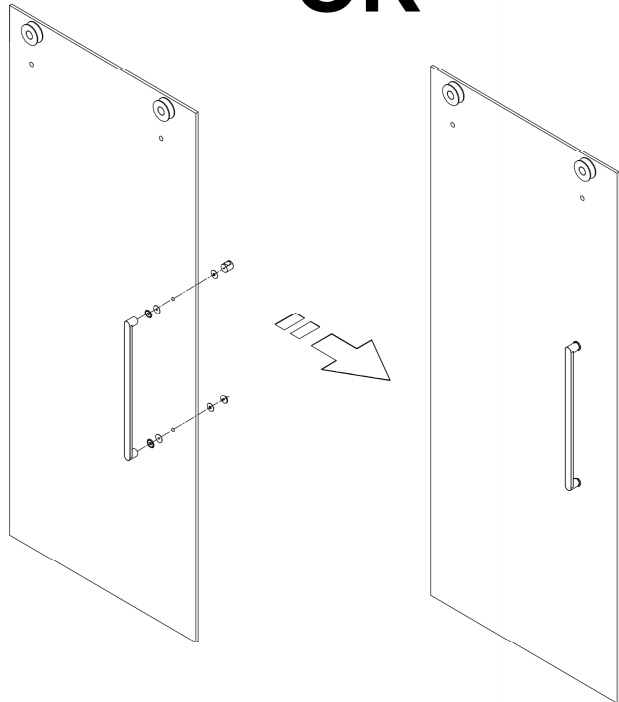
10

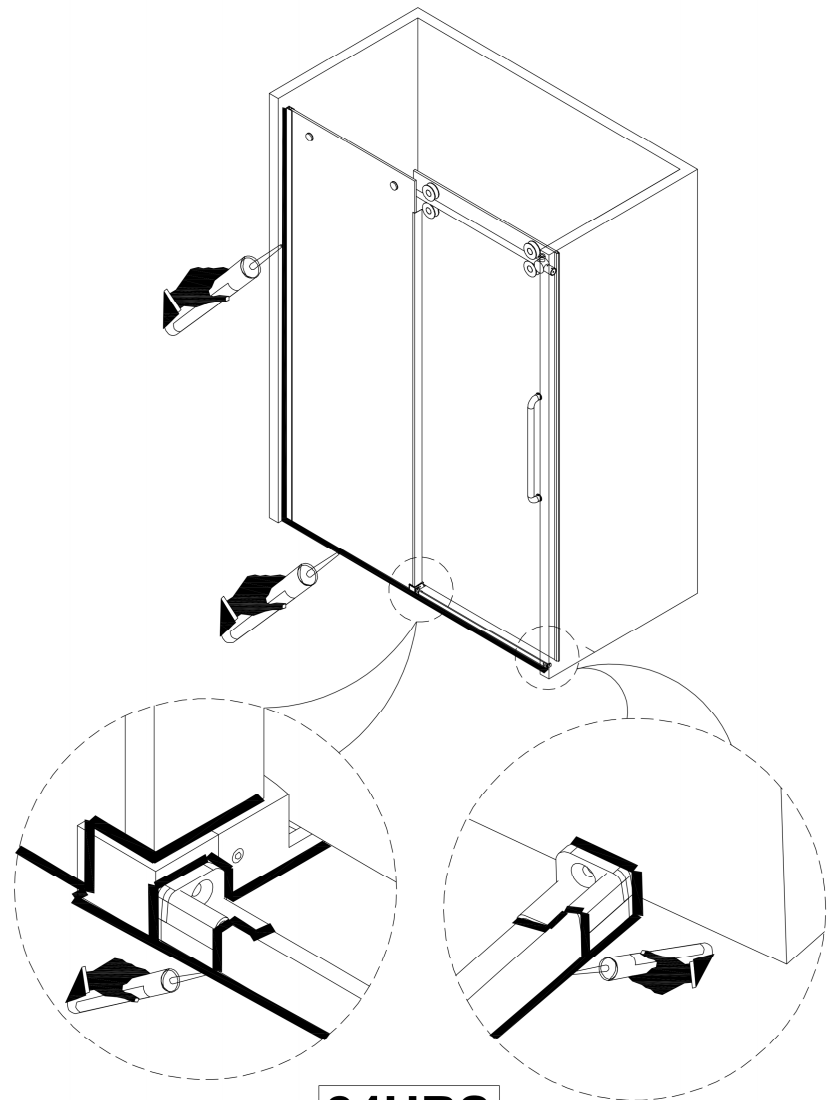
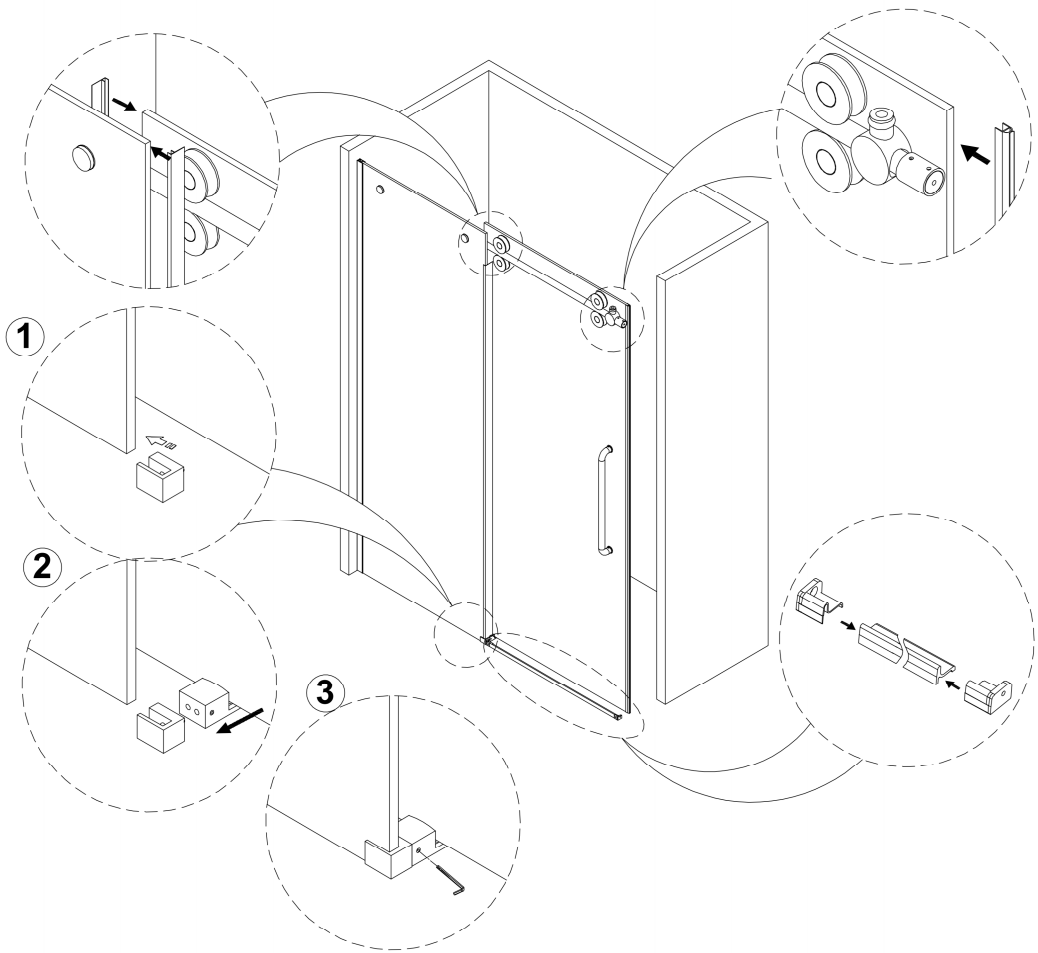
**A**



**B**

**OR**





**24HRS**

