

# 6mm Lyna/Lydia Pivot Door Instructions

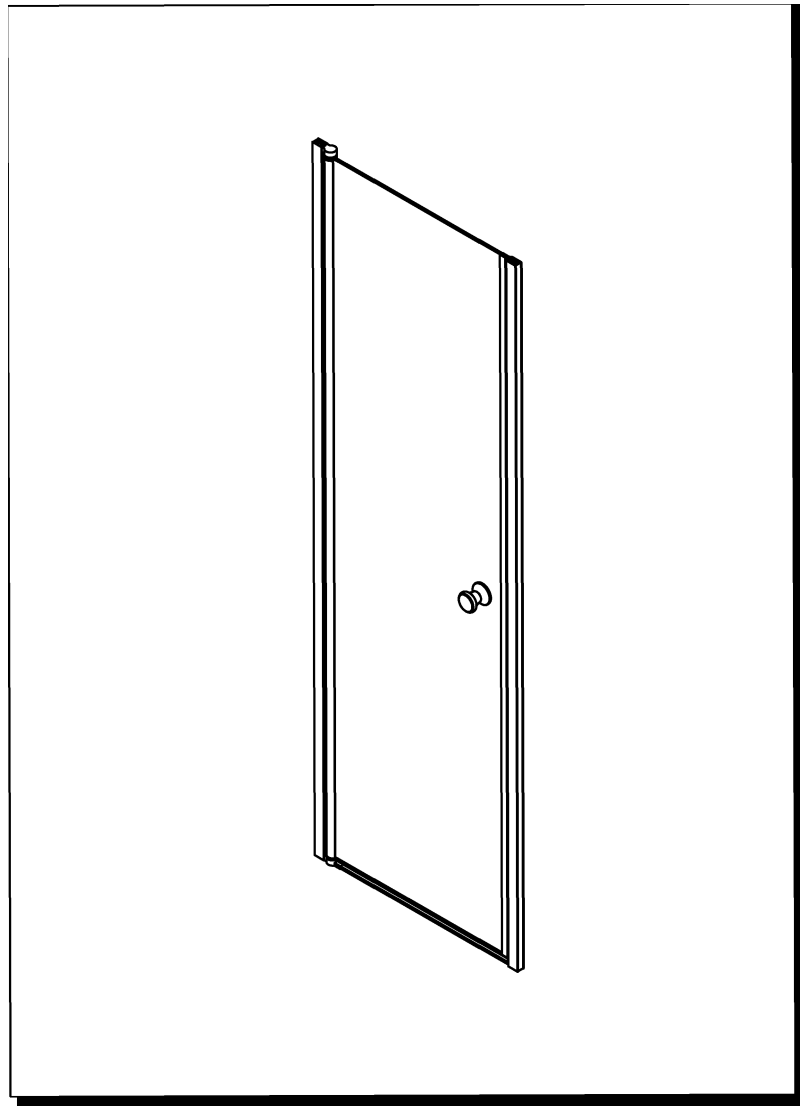
## Important Points

Please read instructions before installation.

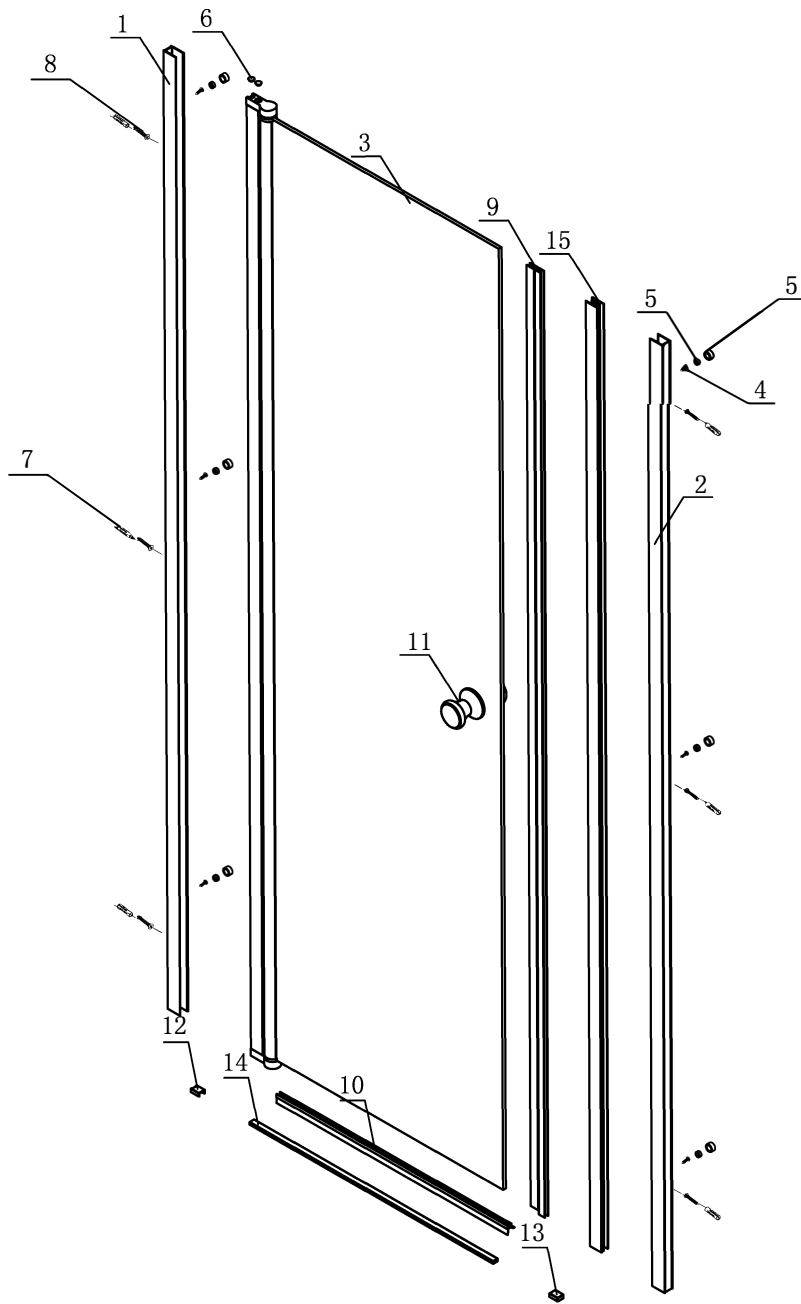
1. Check if all the components in the instructions are in the box.

Please check the following points before drilling on the wall.

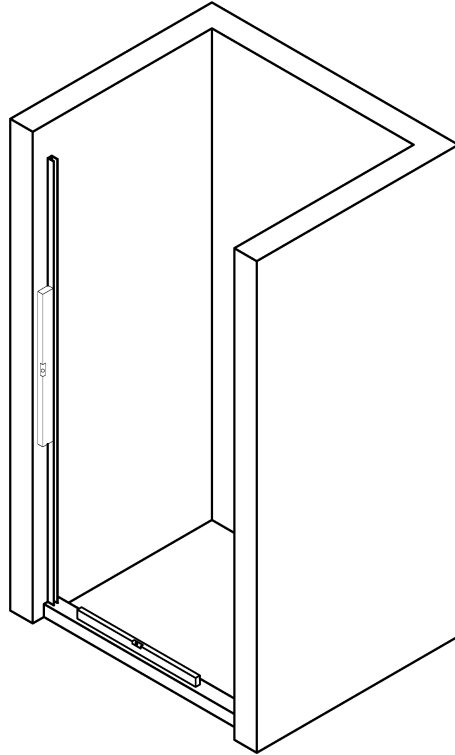
1. The wall plugs in the box are for solid wall. If the wall is hollow, you need to buy special wall plugs and screws.
2. Be sure no cables, water pipes in the wall. ◦
3. Check with your tile supplier for proper bits to drill tile. Glass is fragile, please put soft mats under glass. And protect the corner well when you stand the glass on a wall.



# Exploded Drawings

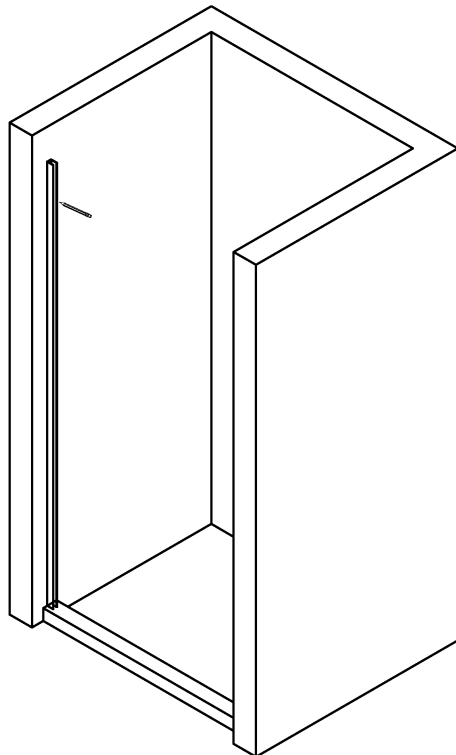


No.	Name	Qty	Drawing	No.	Name	Qty	Drawing	No.	Name	Qty	Drawing
1	wall jamb	1		5	screw cap kit	6		10	bottom PVC seal	1	
2	wall jamb	1		6	pivot screw cap	2		11	knob handle	1	
3	assembled door panel	1		7	wall plugs-Φ6	6		12	end cap with curve	1	
				8	pan head screw (ST4*50mm)	6		13	end cap no curve	1	
4	pan head screw (ST4*6mm)	8		9	Magnetic seal	2		14	bottom aluminum strip	1	
								15	aluminum profile for magnetic seal	1	



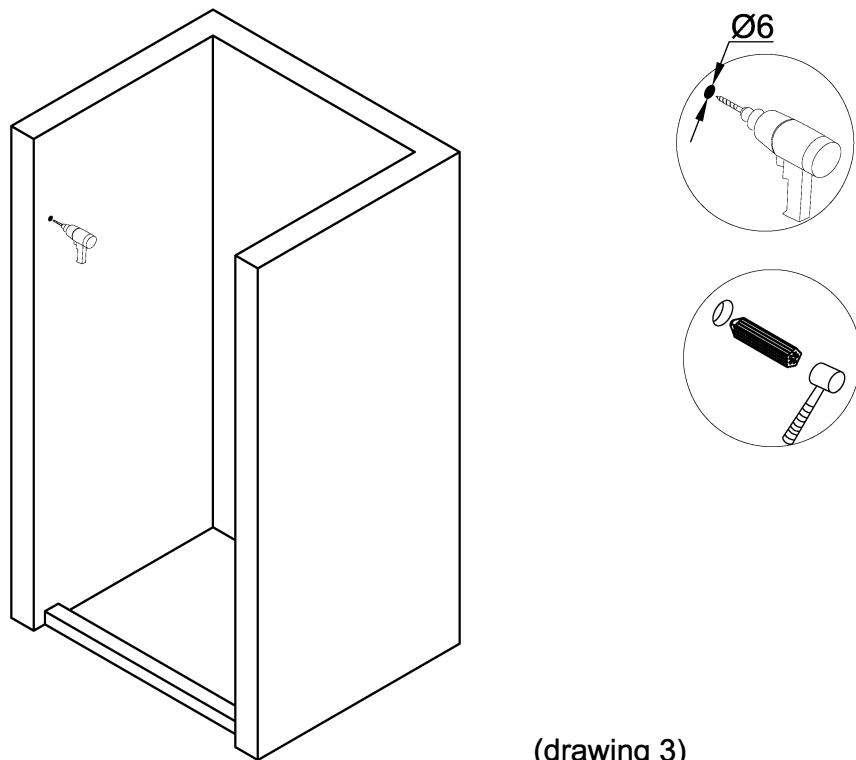
(drawing 1)

1. Prior to installation make sure the base is **100% level**. And put the wall jamb to wall to make it **100% level** and plumb. See drawing (1).



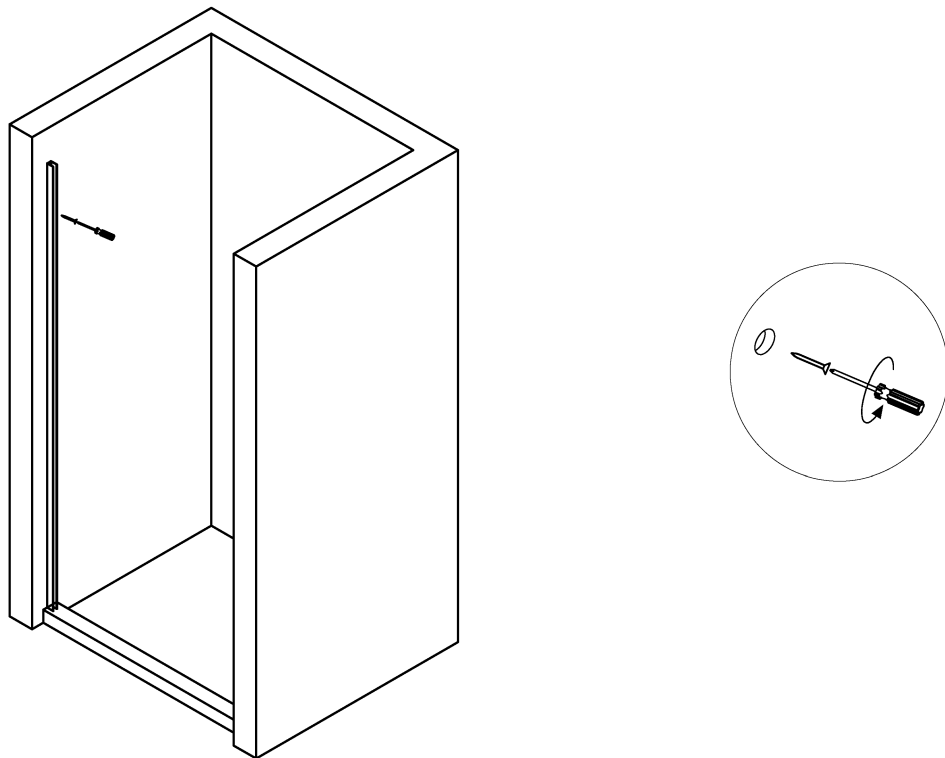
(drawing2)

2. Mark holes positions using a pencil through the holes on wall jamb. (Make sure no wire or pipes at the positions to drill), See drawing (2).



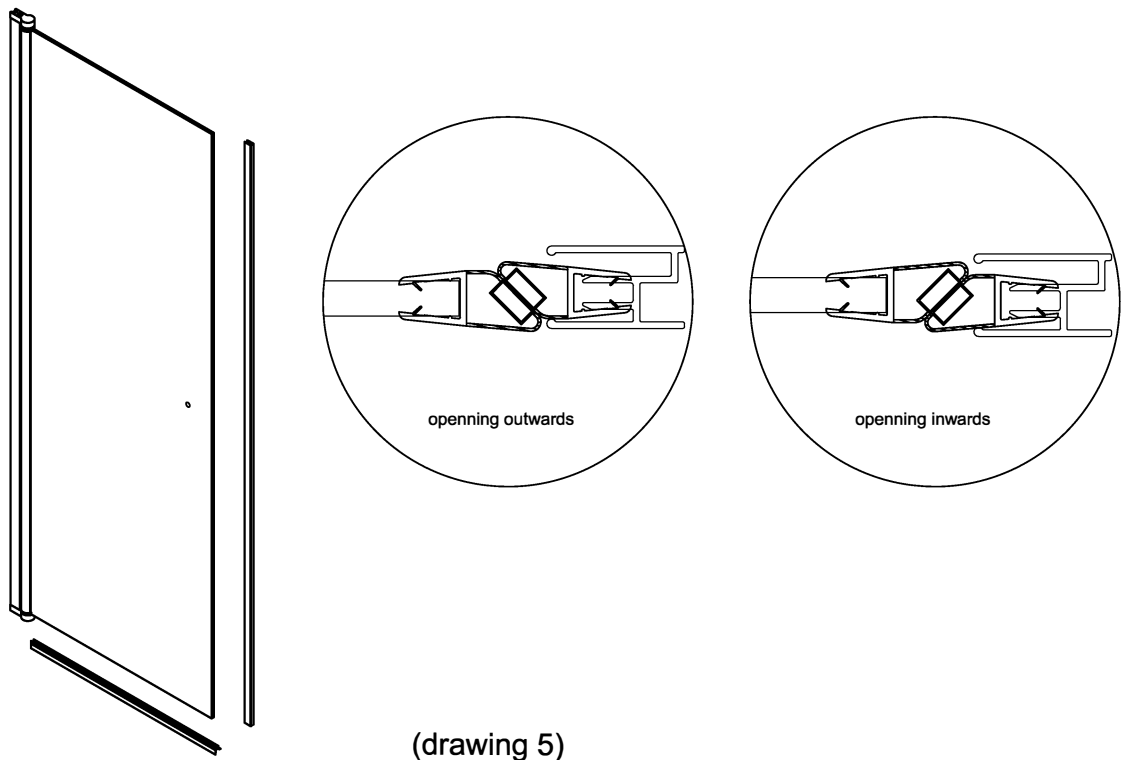
(drawing 3)

3. Move the wall jamb away. Drill holes onto the positions marked in step 2 and put in wall plugs. See drawing (3).



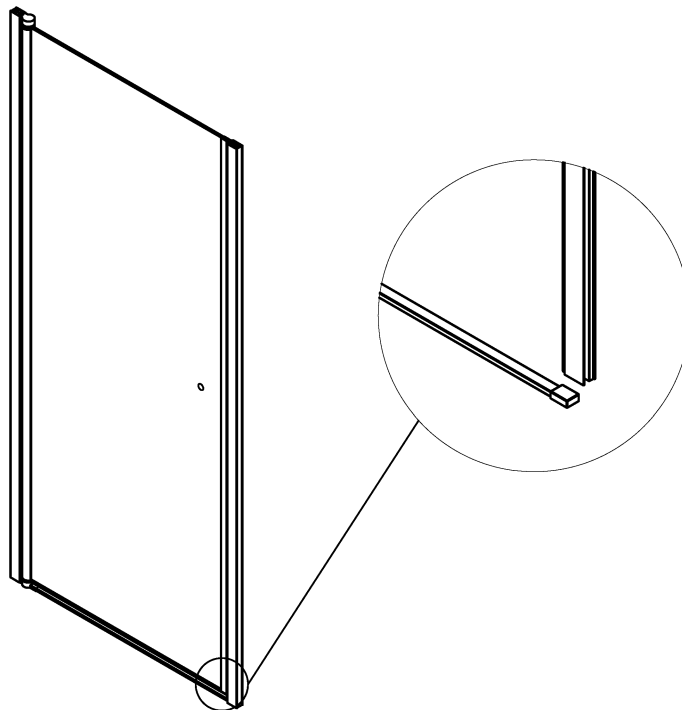
(drawing 4)

4. Fix wall jamb to wall using ST4\*50 screws. See drawing (4).



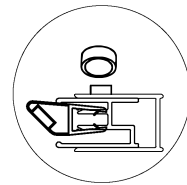
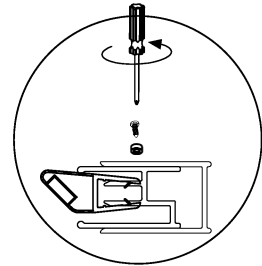
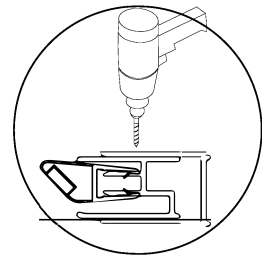
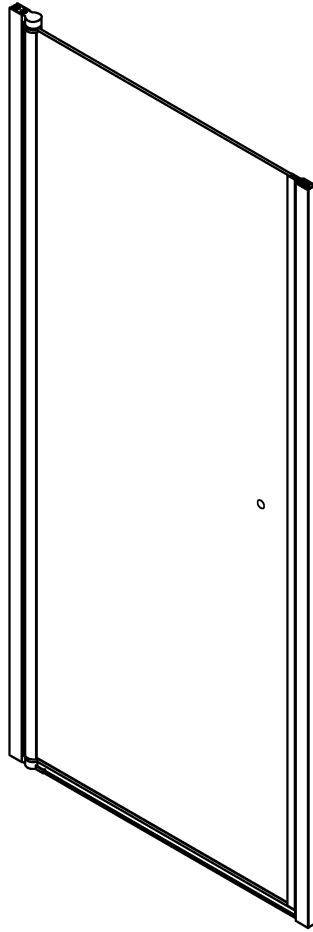
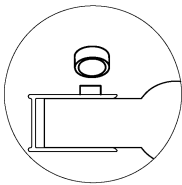
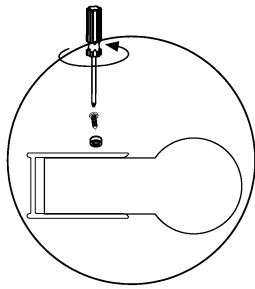
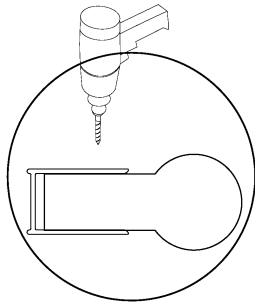
(drawing 5)

5. Fit bottom PVC water seal to the door panel bottom. The end of PVC water seal must against the round upright profile. Fit one piece of magnetic seal to the door and fit the other one to the magnetic profile (15) according to your opening direction. See drawing (5).

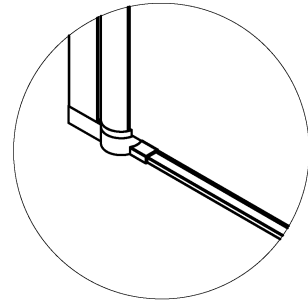
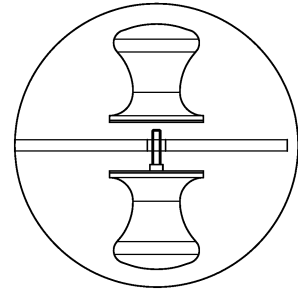
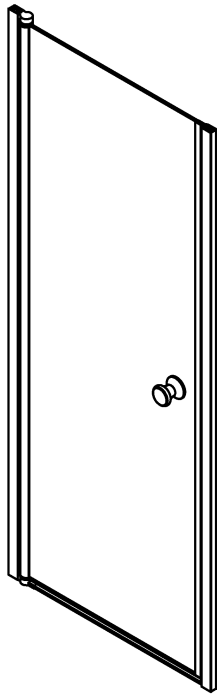


(drawing 7)

6. Install the pre-assembled door panel into wall jamb . Put the bottom aluminum strip at the door bottom and fit end cap with no curve to the end of the strip. Then fit the magnetic profile into the other wall jamb. The magnetic aluminum profile stand on the end cap of the bottom aluminum strip.

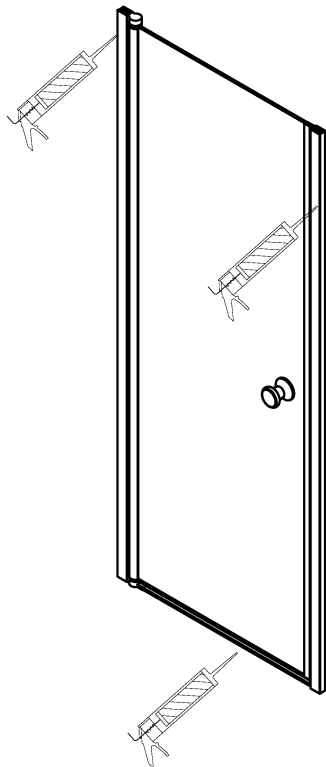


8. Adjust the door and magnetic seal position until the door can close squarely. Drill holes from inside of the shower secure the door channel to the wall jamb using the ST 4mm screws (4) and screw cap kit (5) . Repeat for the opposite side. Please note that before you screw the jamb please put the screw through the hole of the cap base then tighten it and cover with the screw cap.



(drawing 8)

8. Fit the knob handle to the door. Then open the door fit the end cap with curve the bottom aluminum strip. Please note that the end cap with curve is at the pivot side. See drawing (8).



(drawing 9)

9. Apply silicone between shower door and wall, bottom aluminum strip and floor. Please do not use the shower door until after 24 hours.