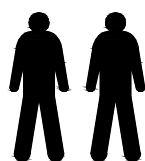
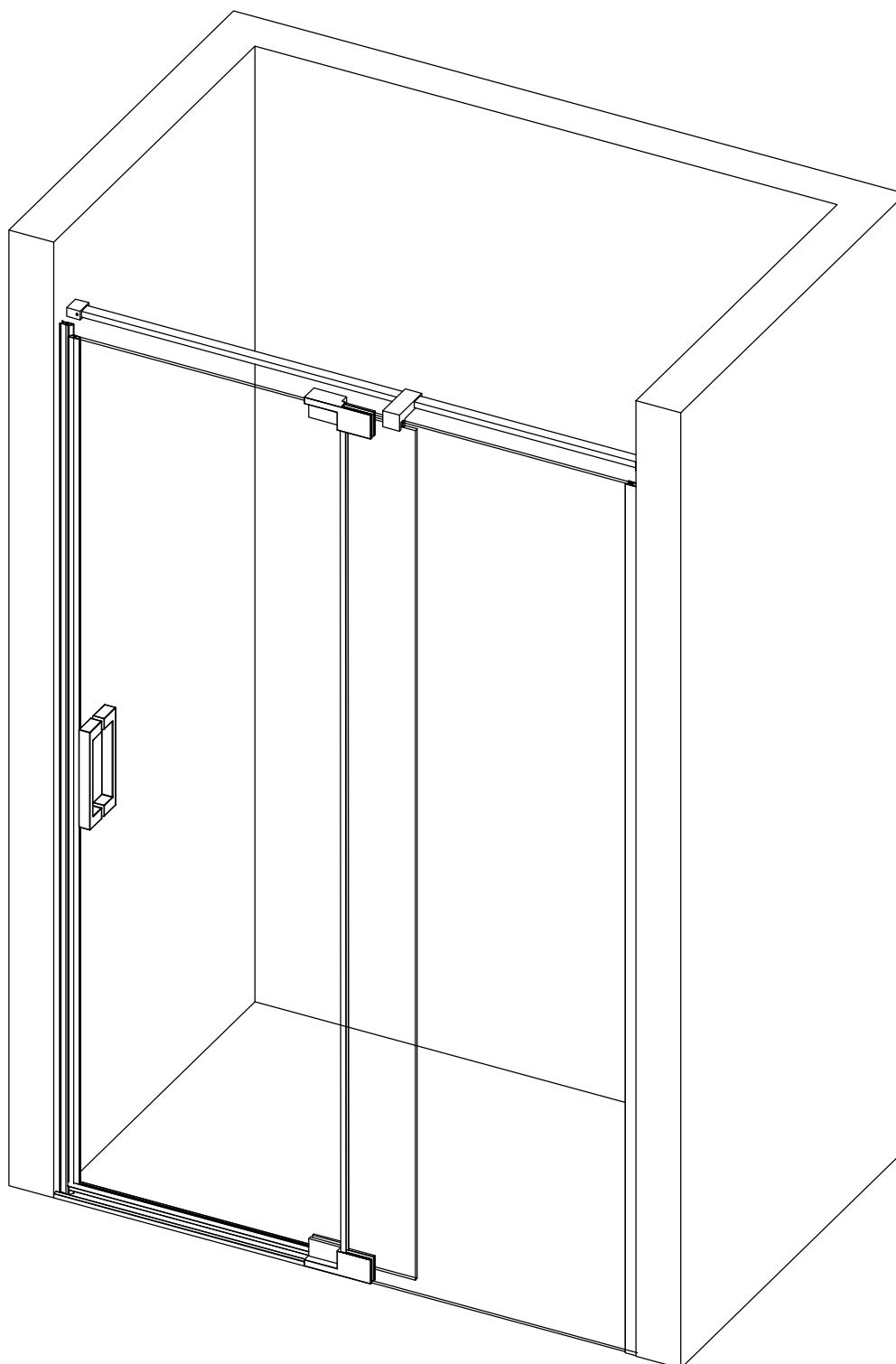


# INSTRUCTIONMANUAL



2 PEOPLE REQUIRED

**Please keep this manual and product code number for future reference and for ordering replacement parts if necessary.**

**GENERAL INSTRUCTIONS**

- Read this manual carefully and completely before proceeding.
- It is recommended that you wear safety glasses at all times during the installation.

**INSTALLATION OVER CERAMIC TILES**

- If your shower door is to be installed over ceramic tiles, the tiles should lay completely under the wall jamb.
- Silicone should be used to seal the gap where the ceramic tiles meet the fixed panel.

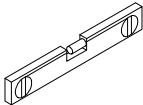

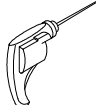


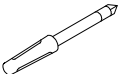
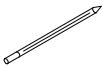
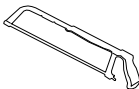
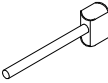

**NOTICE**

- Caulking : no sealant is required inside the shower, unless otherwise stated.
- Some models are equipped with clear sealing gaskets.

**CARE FOR YOUR SHOWER DOOR**

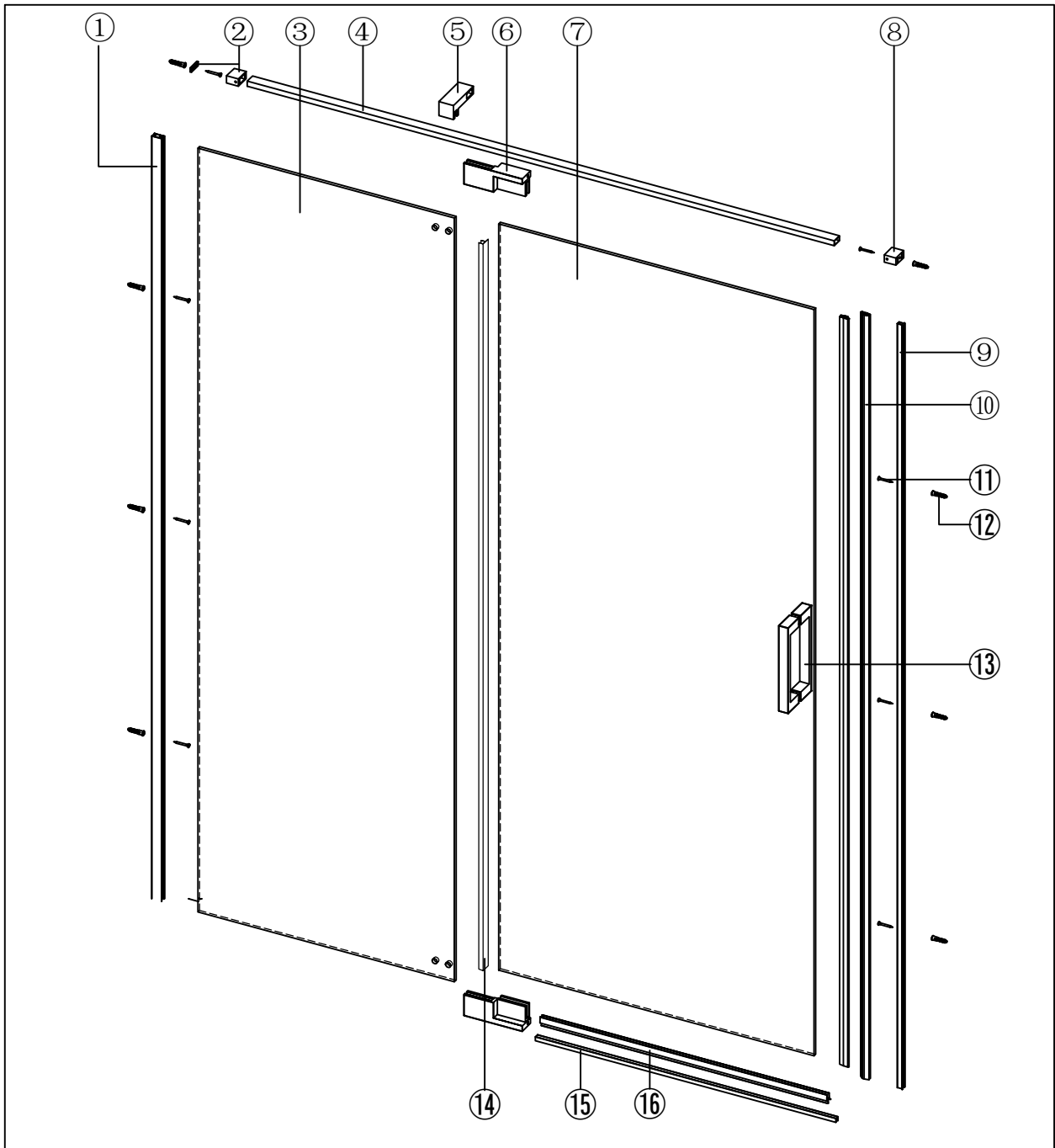
- Never use scouring powder pads or sharp instruments on metal pieces or glass panels.  
An occasional wiping down with a mild soap diluted in water is all that is needed to keep the panels and metal parts looking new
- We recommend wiping the glass panels with a squeegee after each use.





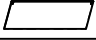

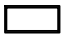




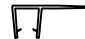
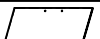


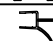
## Tools Required

 Spirit level	 Tape measure	 Power drill	 Drill Bits	 Silicone Gun
 Screw driver	 Pencil	 Hacksaw	 Rubber hammer	 Safety glasses

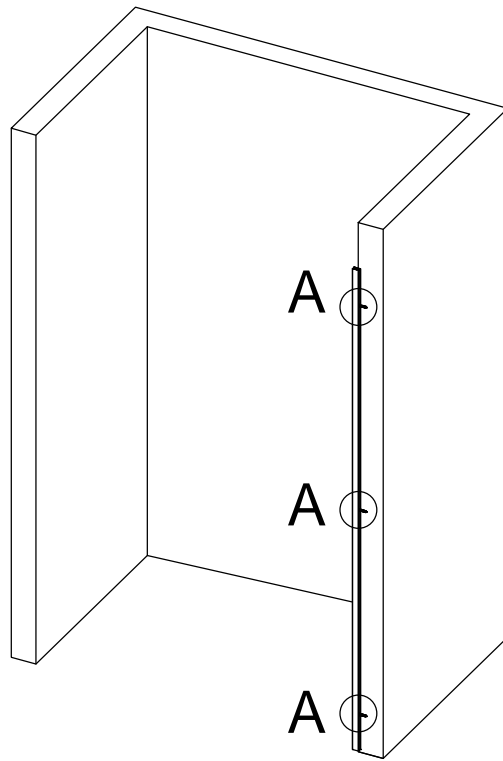
Product specifications are subject to change without notice

# Detailed Diagram of Shower Enclosure Components

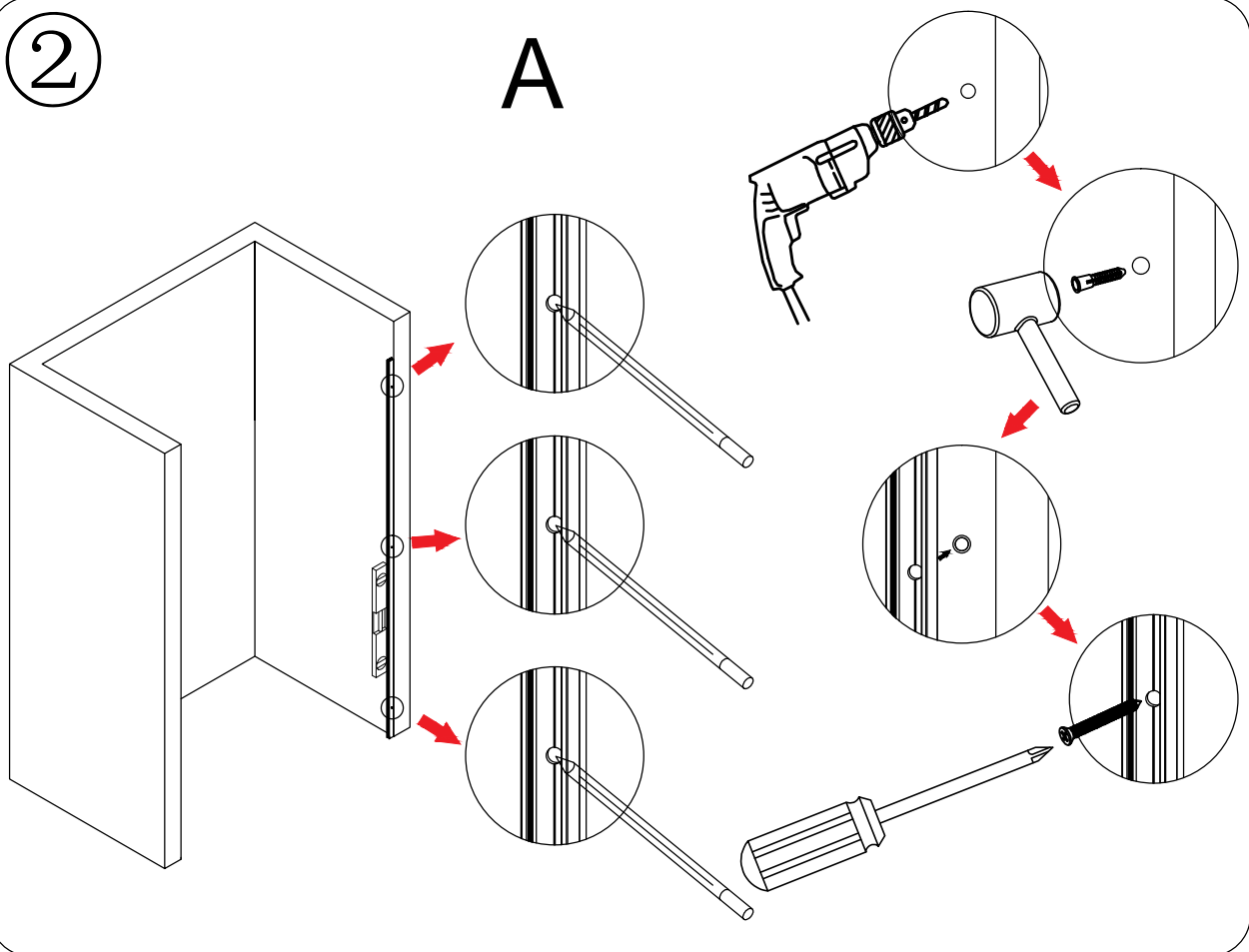


NO.	Name	Picture	Qty	NO.	Name	Picture	Qty
1	Wall profile-A		1	9	Wall profile-B		1
2	Connector of support rail-A		1	10	Magnect strip		2
3	Fixed panel		1	11	screw ST4x30		8
4	Guide Rail		1	12	6mmWall plug		8
5	Bar-Fixed Panel Bracket		1	13	Back to back door pull		1
6	Hinges		2	14	Door seal		1
7	Moved glass		1	15	Anti-splash threshold		1
8	Connector of support rail-B		1	16	Door sweep		1

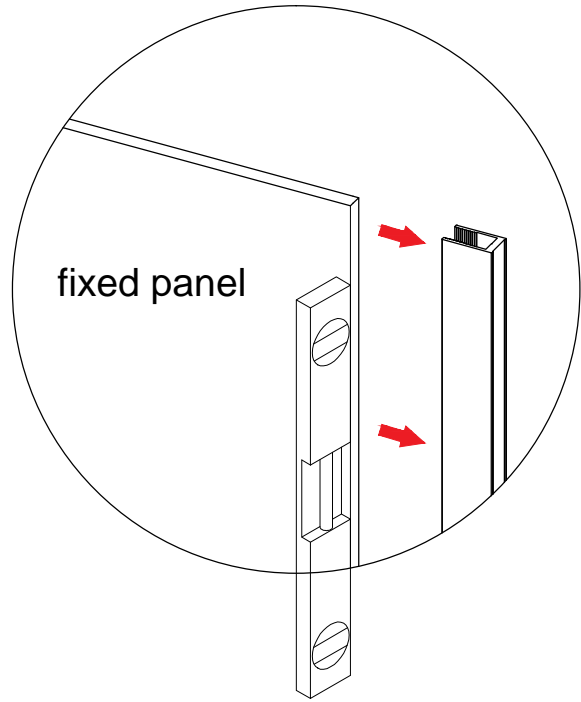
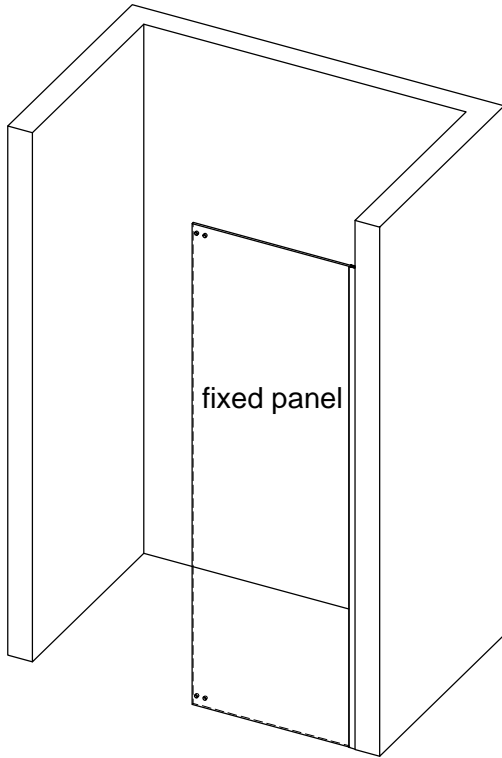
1



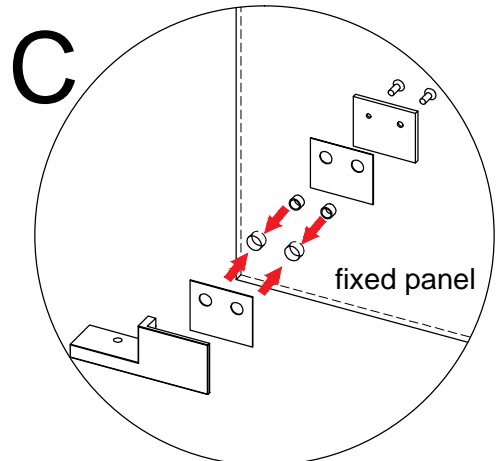
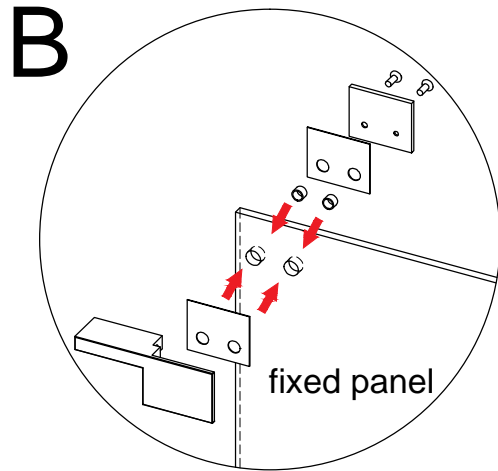
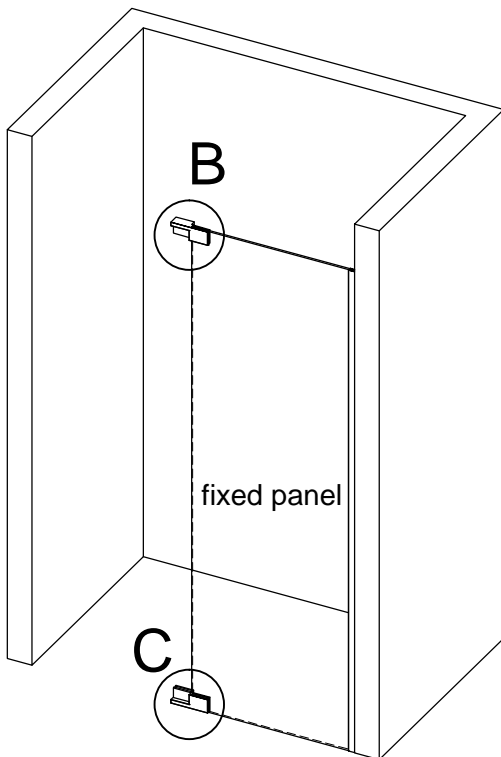
2

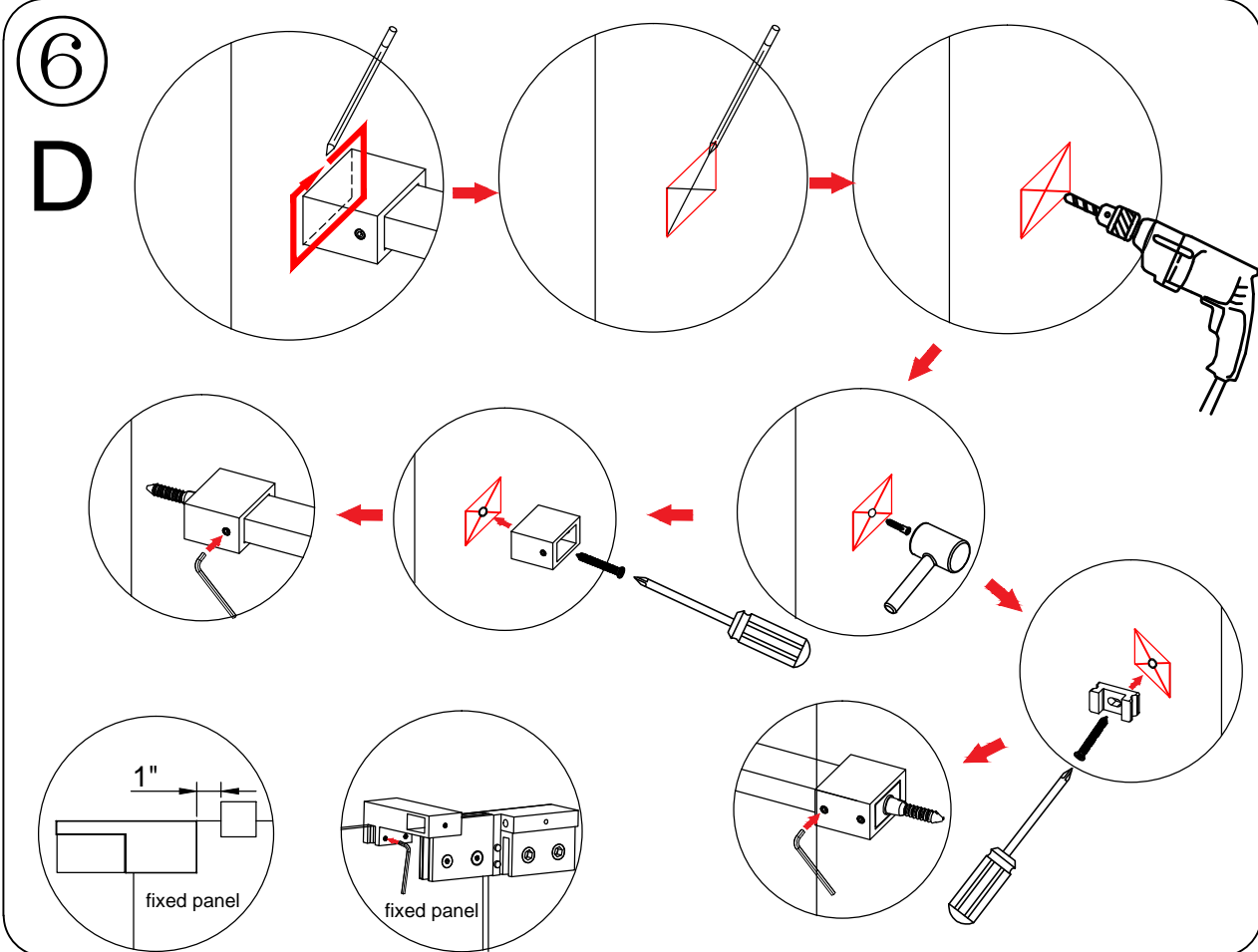
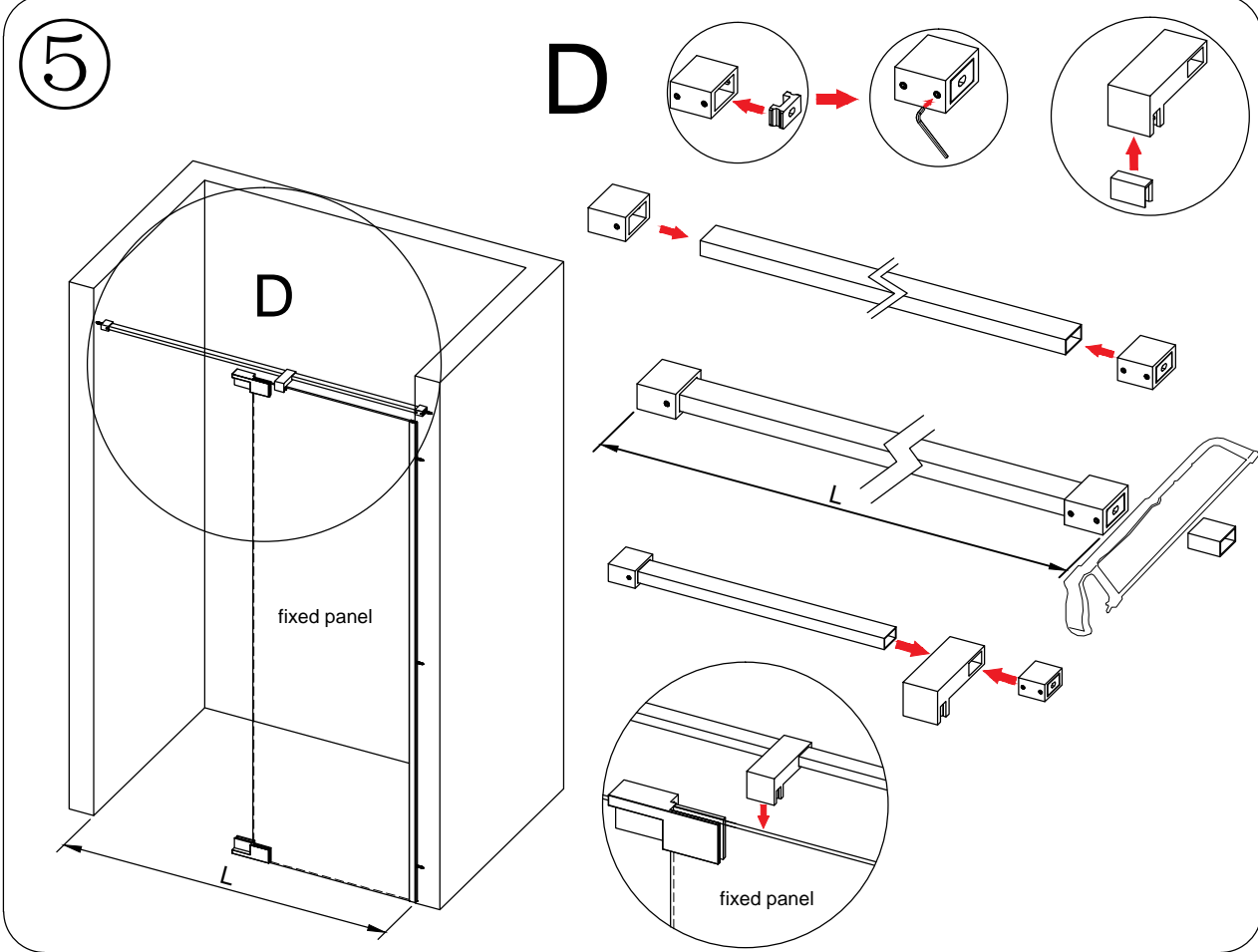


3

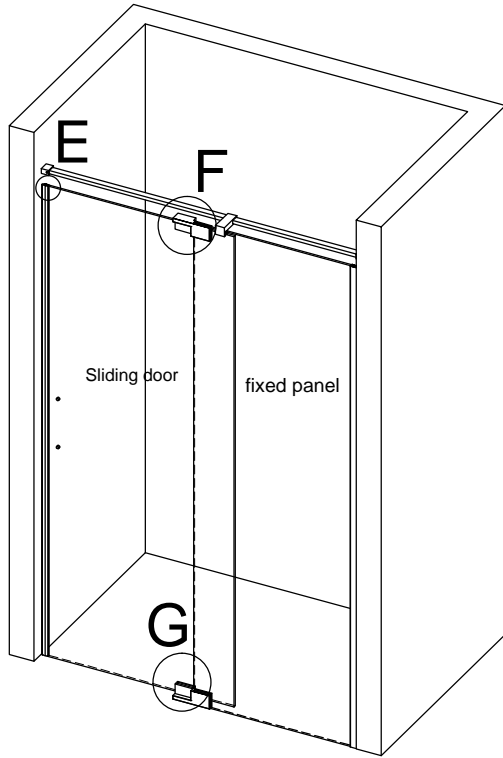


4

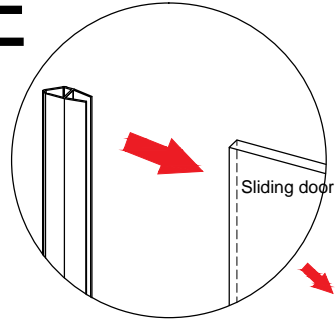




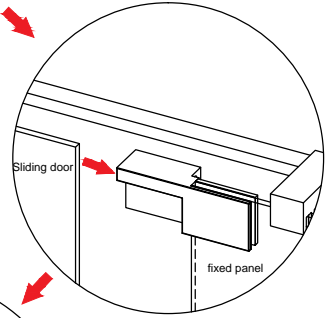
7



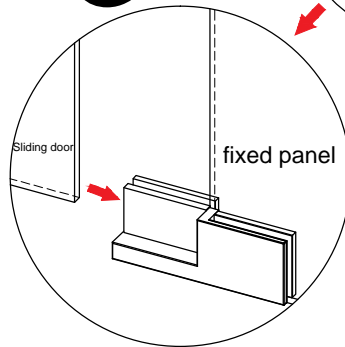
E



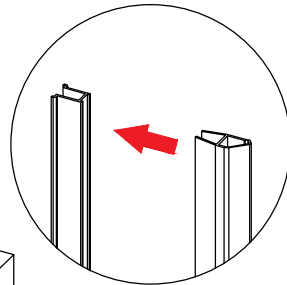
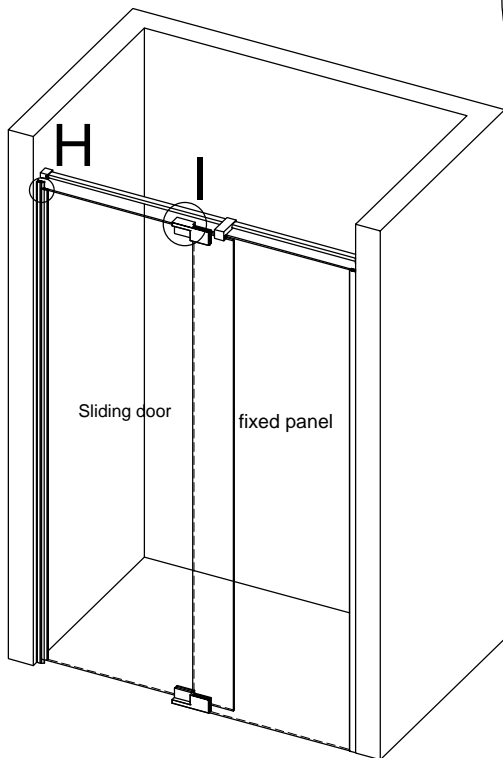
F



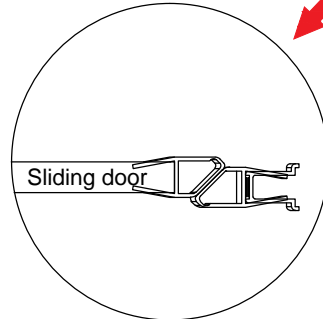
G



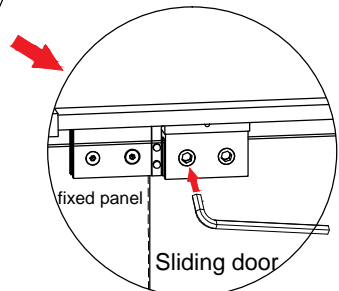
8



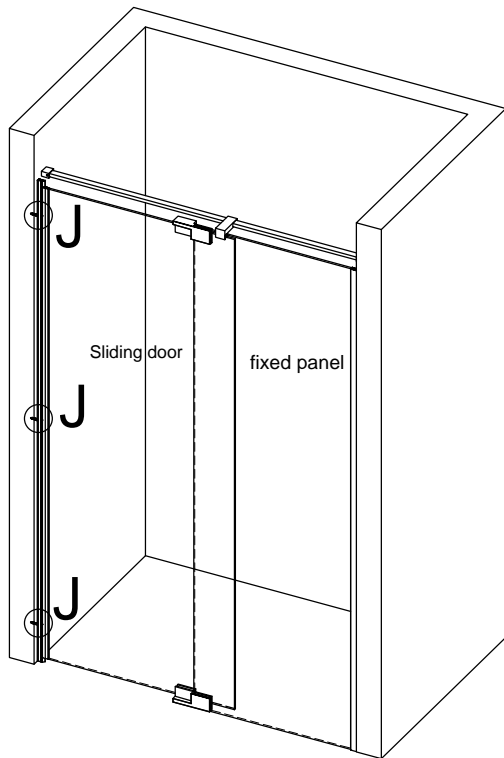
H



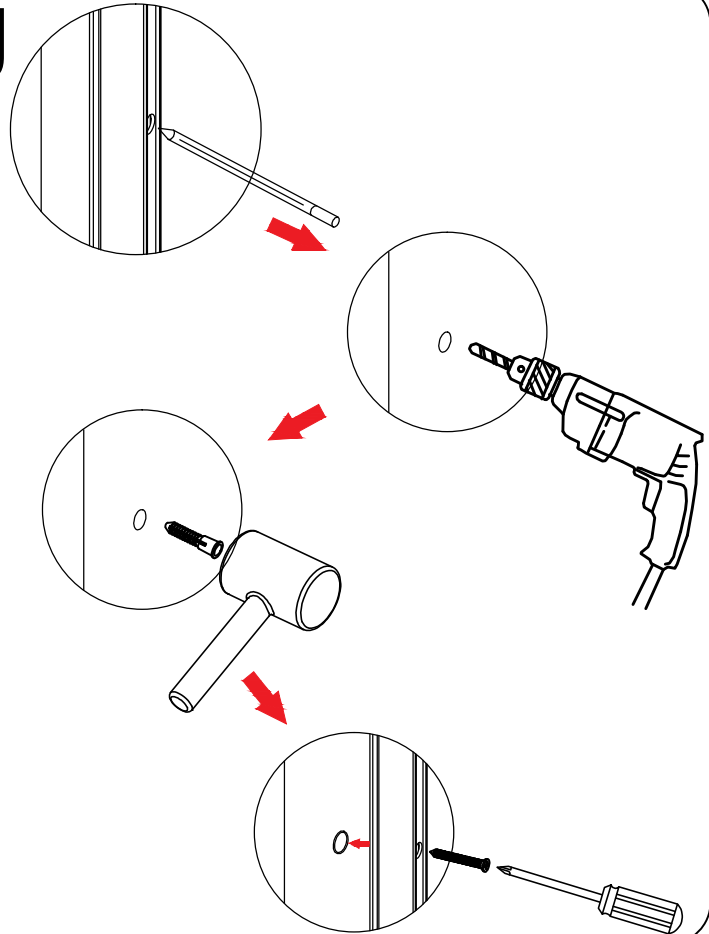
I



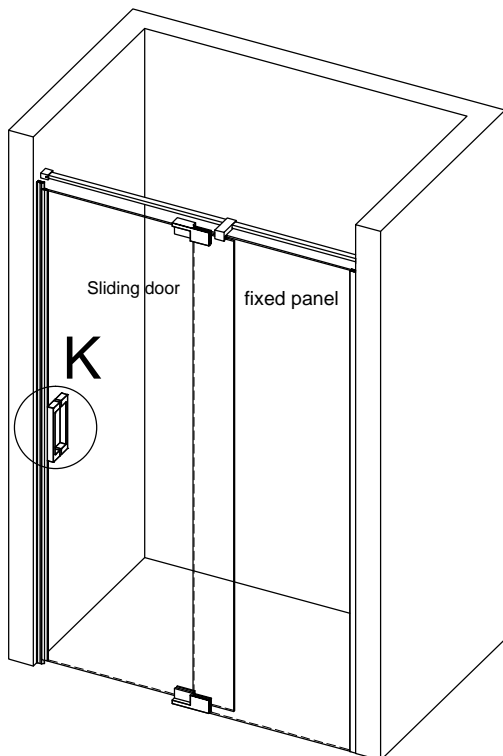
9



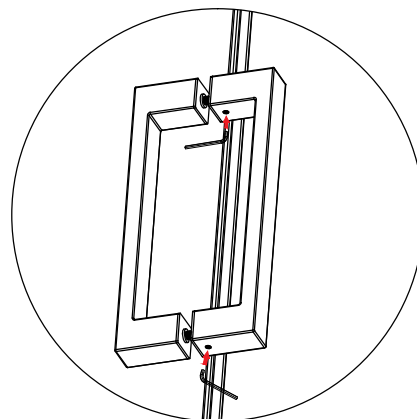
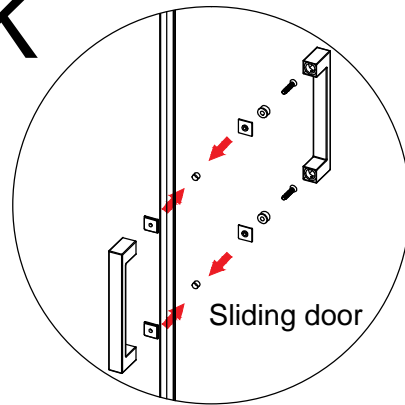
J



10



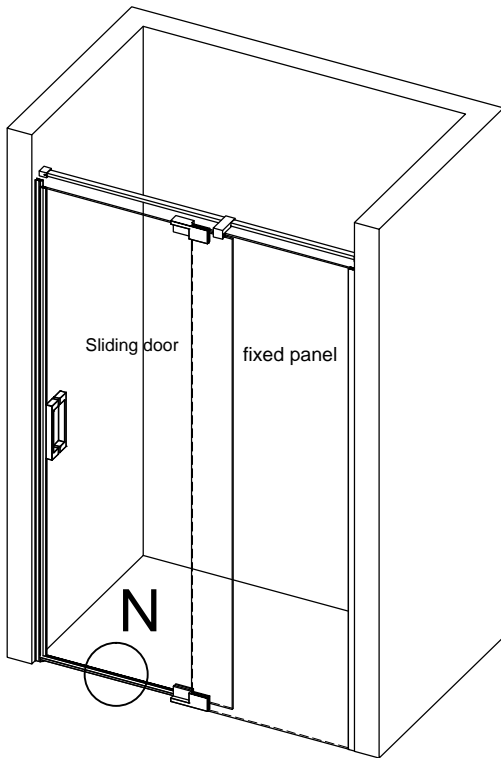
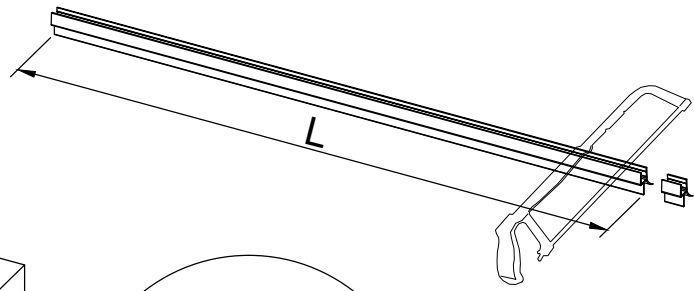
K



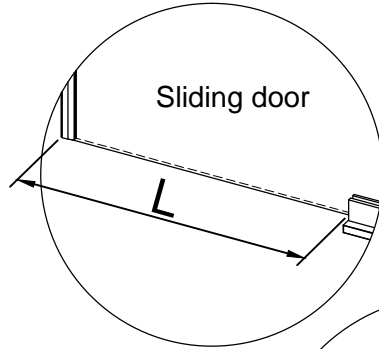


11

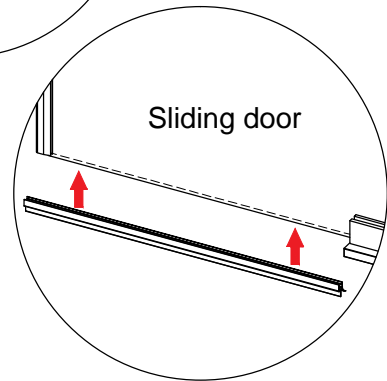
N



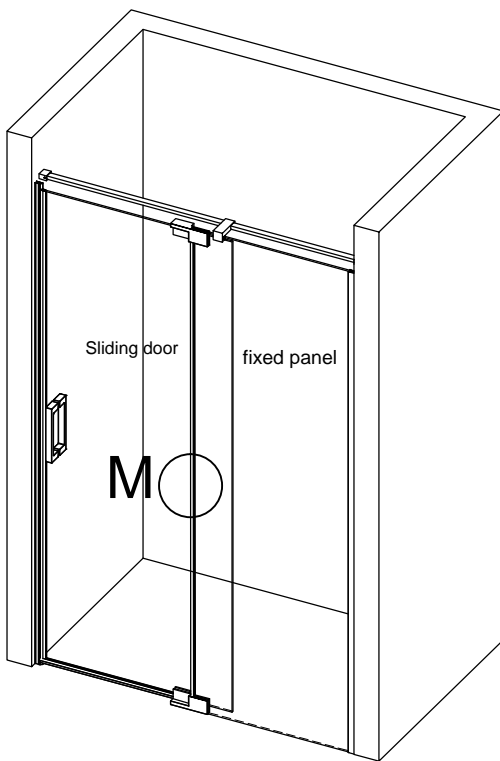
Sliding door



Sliding door



12

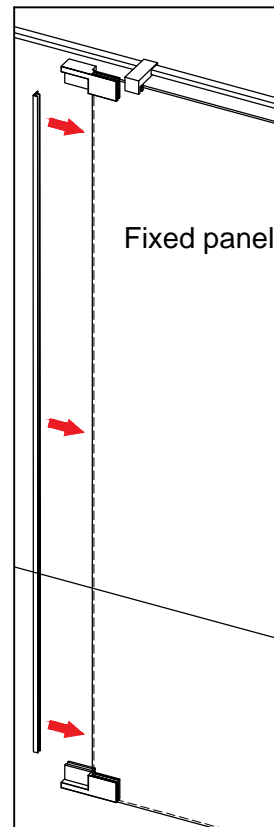


Sliding door

fixed panel

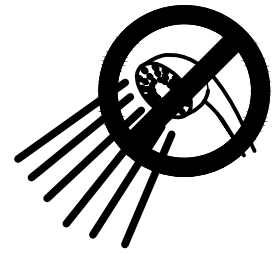
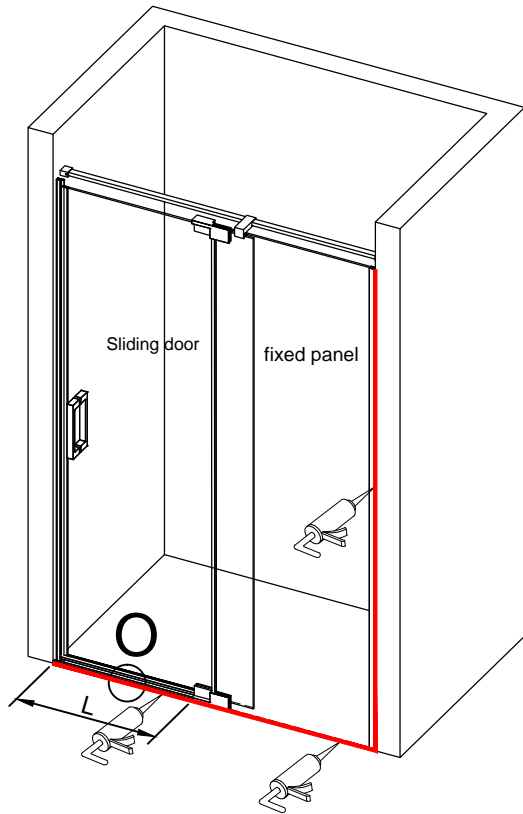
M

M

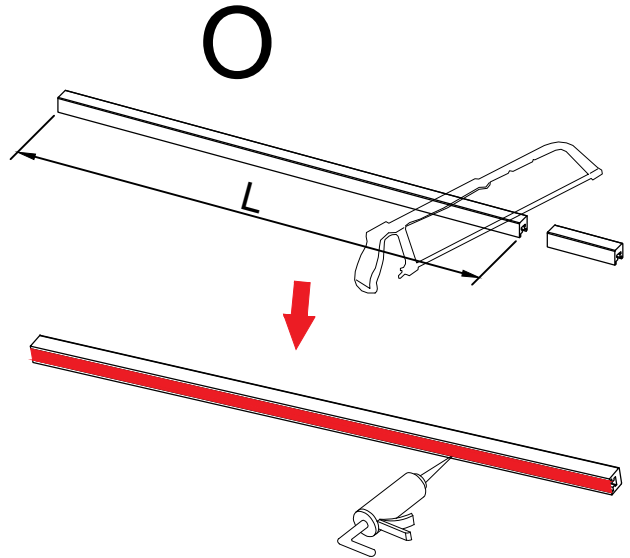


Fixed panel

13



24 Hours



14