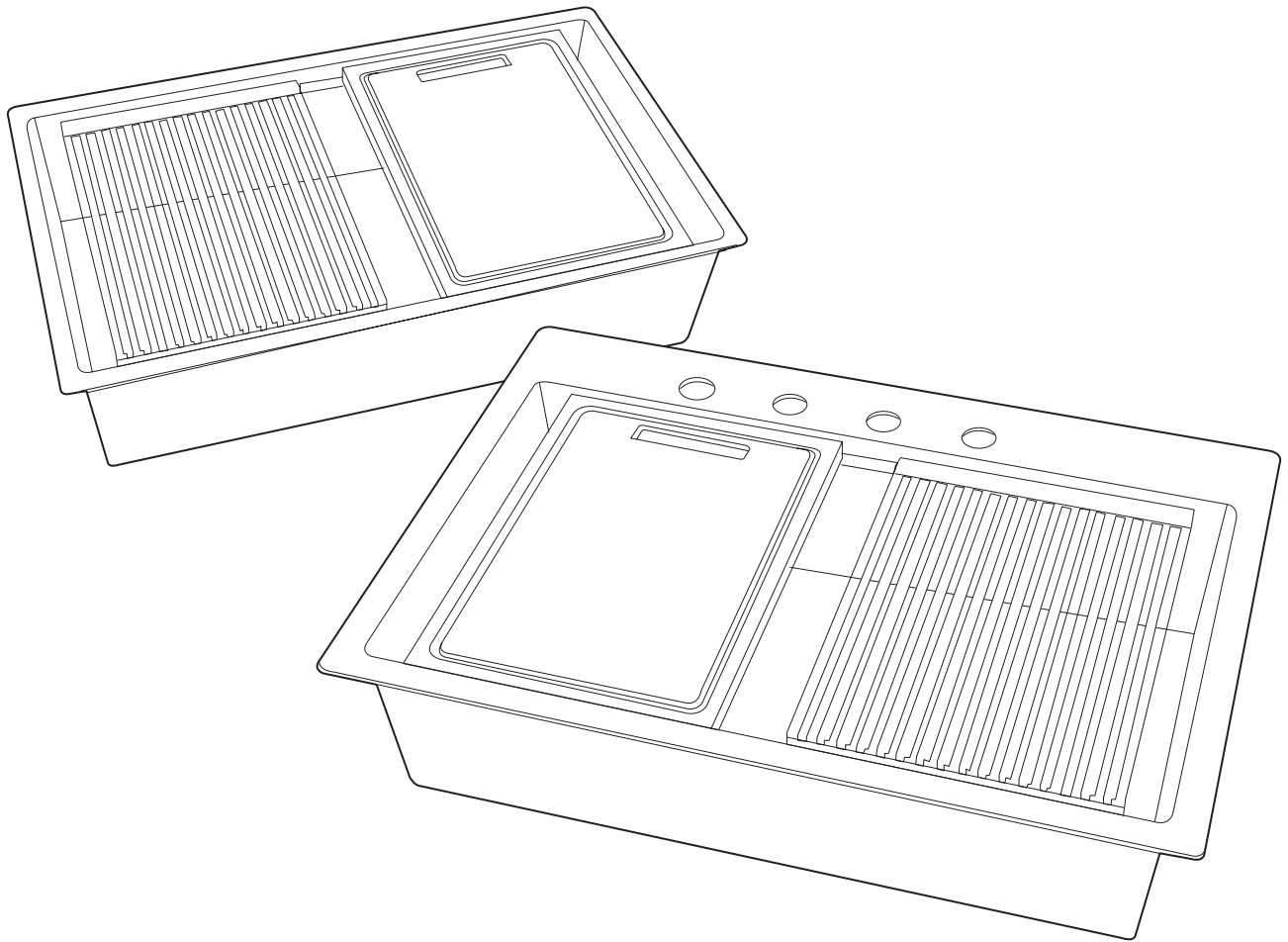


Stainless Steel Workstation Sinks

Installation Guide

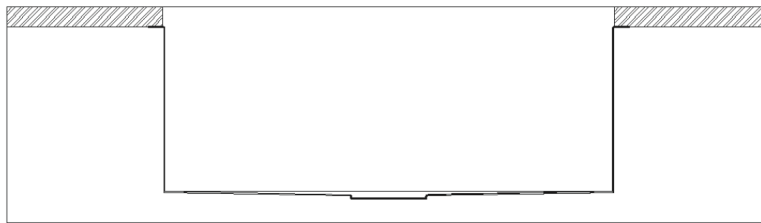


READ AND UNDERSTAND BEFORE INSTALLING

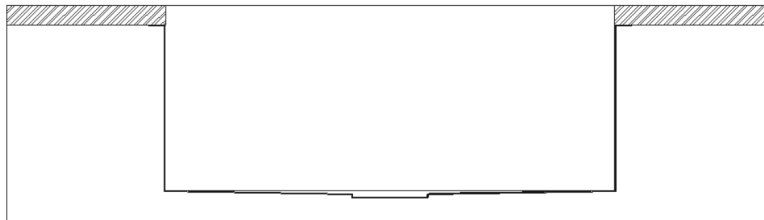
INSTALLATION GUIDE - WORKSTATION SINKS

Undermount sinks are sinks that are mounted from below the countertop. Work-station sinks can be installed with three different reveals - Reveal, Flush, or Negative Reveal - each creating a distinctive look where the countertop and sink meet. Decide on your preferred look prior to installation (see diagram).

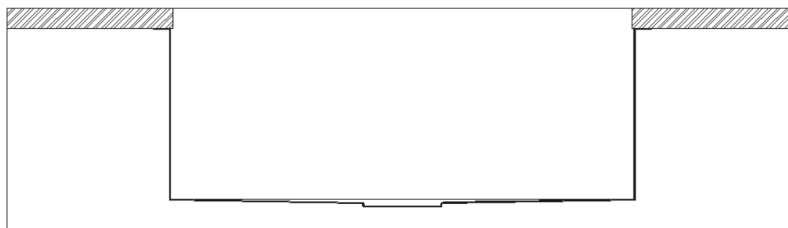
Reveal - The countertop edge sits approximately 1/4" back from the edge of the sink, exposing the sink rim. All workstation undermount sinks feature a 1" finished rim.



Flush - The countertop meets the edge of the sink. Fitting flush with the sink bowls



Negative Reveal - The counter top extends over the edge of the sink on all sides by approximately 1/4". Use caution with this installation to be sure that accessories such as colanders or cutting boards will fit properly.



All workstation undermount sinks feature an approximate 1/4" positive reveal.

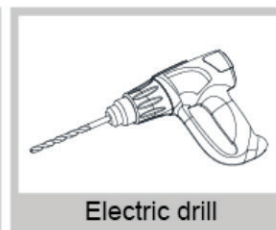
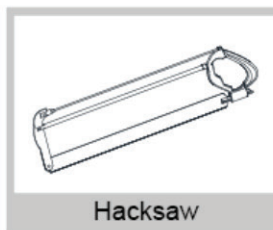
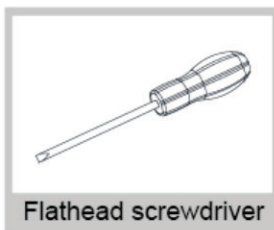
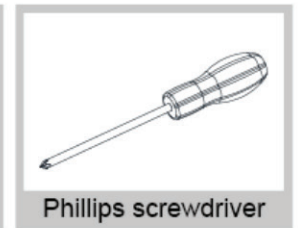
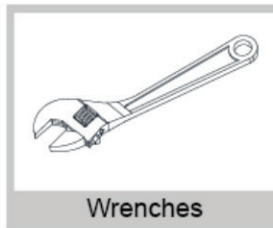
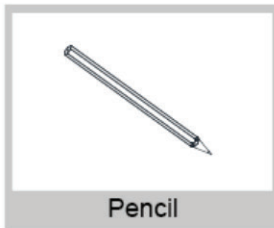
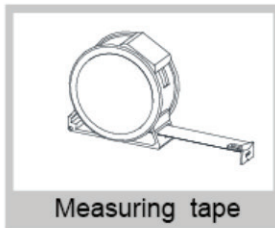
Templates are supplied only as a guide . Please check actually template against physical sink unit for most accurate cut.

The instructions that follow are for installing our workstation undermount stainless steel sinks in a solid surface countertop only. Minimum thickness of the actual countertop material is one half inch. In addition, *a one-inch thick solid surface countertop is preferred.* We recommend that workstation sinks and routing of your solid surface material should be installed by a professional installer for best results.

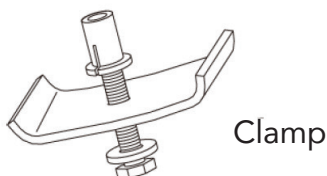
Requirements vary for installation in a granite, marble, stone, or butcher block countertop. Please contact your fabricator for specific details.

Before installing, inspect the sink for damage. Do not install a damaged unit. Remember, it is your responsibility to follow all local plumbing and building codes. The warranty will be voided if these installation instructions are not followed.

TOOLS AND MATERIALS REQUIRED



HARDWARE INCLUDED



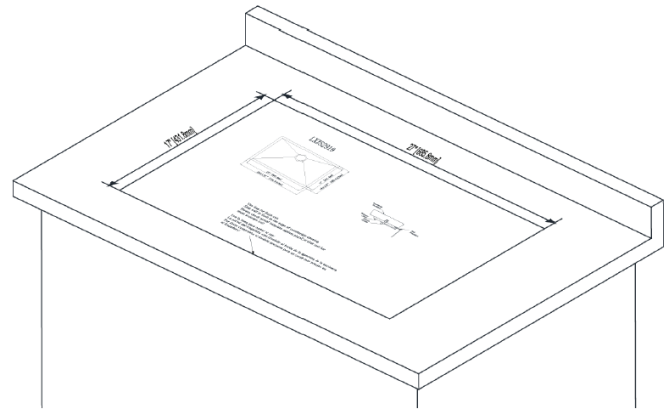
INSTALLATION GUIDE - WORKSTATION SINKS

INSTALLATION

PREPARING the COUNTERTOP

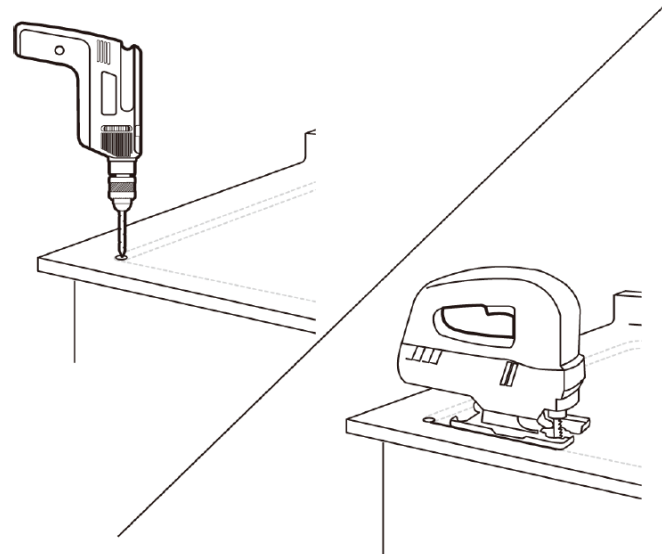
Place the template (B) on the countertop. Ensure the template is centered on the counter so that it is parallel to the counter edge and that the installation hole will not interfere with the structure of the cabinet.

- Tape the template (B) to the countertop to keep it in place and trace the cutout line on the template (B) with a pencil.



CUTTING the INSTALLATION HOLE

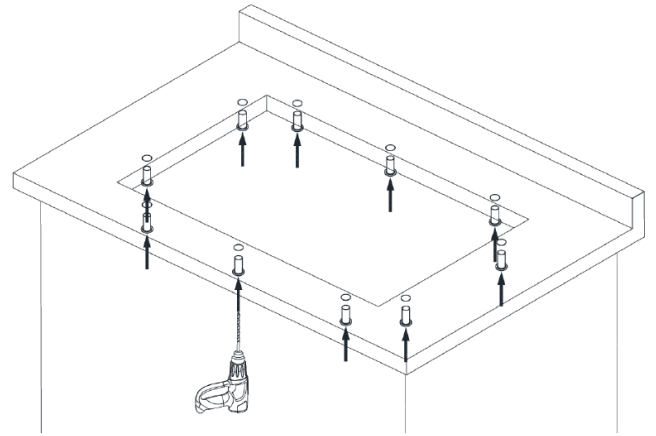
- Drill a pilot hole and cut the countertop opening. Use the appropriate cutting tool for the surface you are cutting and cut along the inside of the template line.



DRILLING HOLES from CLIPS

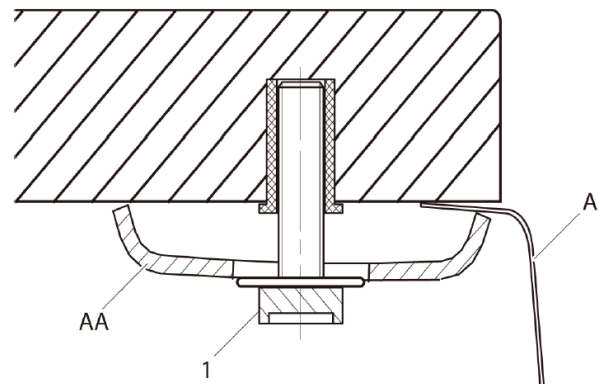
On the underside of the counter, mark the location of the twelve holes for the clips. These holes should be equally spaced around the perimeter of the cutout.

- Using an electric drill with a 11 mm drill bit, drill each hole so that it is 11 mm in diameter and 14 mm deep.
- Insert the plastic caps from each of the clips into each of the installation holes.



INSTALLING the SCREWS

- Insert the screws (1) loosely in the holes that you drilled in the underside of the counter.
- Ensure that you use the clips in the locations that have the narrowest clearance between the sink and counter.
- Place a small bead of silicone sealant (not included) around the upper lip of the sink (A).
- Carefully place the sink (A) into its location under the counter, with the lip of the sink being supported by the clips (AA).
- Tighten the screws (1) evenly, ensuring the sink (A) remains in place.
- Wipe away any excess silicone and, for best results, allow the bond to rest undisturbed for 8 hours or overnight.



INSTALLATION GUIDE - WORKSTATION SINKS

CARE and CLEANING

- Daily, regular cleaning to remove dirt and prevent staining is recommended. Use liquid dish detergent, water and a soft household sponge
- Mild, non-abrasive cleaners can be used with a nylon scrub pad. To ensure a uniform appearance in a stainless steel sink surface, rinse with water and wipe down the sink with a soft, dry cloth.
- Drying the sink will prevent water spots caused by time in the water.
- Remove stubborn stains from lime or calcium deposits by pouring a little warm vinegar or vinegar-based cleaner into the sink and allow it to sit for a few minutes. Rinse with clean water and dry.
- Scratches are inevitable during your usage over time. Use a nylon pad with an iron free abrasive polishing compound. Follow the original polish lines to blend out the scratch in a small area. Be careful not to overdo as aggressive scrubbing will result in a bright spot.
- DO NOT use strong abrasive cleaners, metal scrub pads, or steel wool. These will scratch the surface.
- DO NOT leave rubber mats or sponges inside the sink. Water trapped below could lead to stains.
- DO NOT let food with a high salt content sit inside the sink for prolonged periods of time.
- DO NOT allow chlorine bleach to sit inside a stainless steel sink for more than 1 hour.
- DO NOT allow drain cleaners to come into contact with the sink surface.
- DO NOT pour paint in your sink. The chemicals in acrylic paint will react with sinks if allowed to sit over 24 hours and will produce permanent marks. For latex based paints, remove any residue immediately using a paint remover manufactured by the same brand. Consult the paint remover recommendations before using on the sink. For all sinks, we also recommend nail polish remover, rubbing alcohol or an acetone based paint remover to eliminate paint residue.
- Rust spots – Stainless steel does not rust. Rust stains are the result of iron particles introduced by water, cookware, and steel wool pads that react with water to create rust. Metal cleaners will remove rust spots.
- Food stains – Depending on the severity of the stain, use a bleach and water solution or pour the bleach onto a cloth and cover the stain. Allow the bleach to sit for at least 1/2 hour and then clean with dish detergent and water.

WARRANTY

LIMITED LIFETIME WARRANTY

- Our products are manufactured with superior quality standards and workmanship and backed by our limited lifetime warranty.
- Our products are warranted to the original consumer purchaser to be free of defects in material or workmanship. We will replace FREE OF CHARGE any product or parts that proves defective.
- This warranty excludes incidental/inconsequential damages and failures due to misuse, abuse or normal wear and tear. This warranty excludes all industrial, commercial & business usage, whose purchasers are hereby, extended a five year limited warranty from the date of purchase, with all other terms of this warranty applying excepts the duration of warranty.
- This warranty is limited to the original purchaser. Original sales receipt is required.
