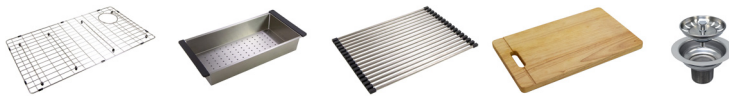


Features

- 32" (813) x 22" (559) x 10" (254) drop-in kitchen sink
- Super single compartment that is the size of a double bowl sink
- Bowl handcrafted from premium 18 gauge 304 stainless steel and deck from 10 gauge 304 stainless steel. Channel grooves in sink bottom direct water to drain.
- Right rear drain location
- Premium brushed finish
- 3/8" (10mm) radius corners
- 5mm sound deadening pads
- Fits 36" (914mm) minimum base cabinet width
- Kit includes sink, stainless steel sink bottom grid, stainless steel colander, stainless steel roller mat, wood cutting board and stainless steel standard sink strainer (see below)

Components Included



Warranty

- Lifetime Limited Residential Warranty/
1 Year Limited Commercial Warranty

Specified Model

Model	KWSST322210
Overall Dimensions	L32" x W22" x D10" L813 x W559 x D254
Bowl Dimensions	L30" x W17" x D10" L762 x W432 x D254
Drain Holes	3 ⁵ / ₈ " (92mm)
Shipping Weight	40 lbs.
Material	18 GA./304 stainless steel – Bowl 10 GA./304 stainless steel – Deck
Installation Required	Counter top mounted template included

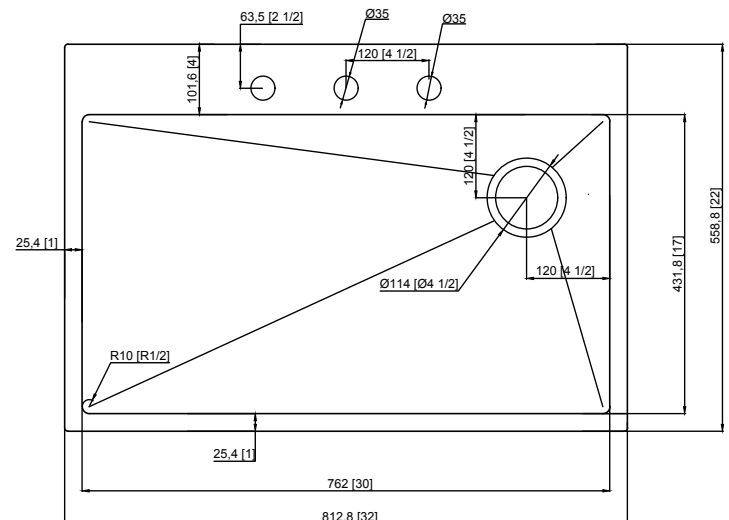
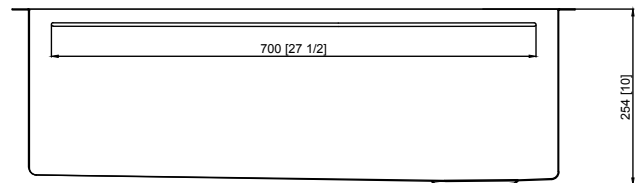
To Be Specified

See back for configurations available for this sink

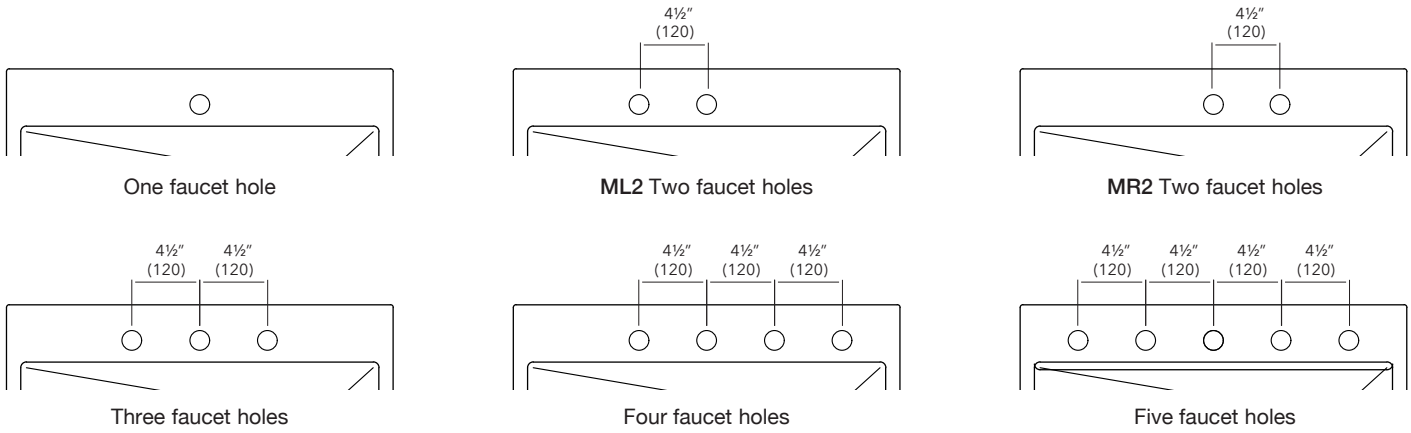
Faucet Hole Drillings	
<input type="checkbox"/>	1 Hole
<input type="checkbox"/>	2 Holes ML2
<input type="checkbox"/>	2 Holes MR2
<input type="checkbox"/>	3 Holes
<input type="checkbox"/>	4 Holes
<input type="checkbox"/>	5 Holes

Codes/Standards
ASME A112.19.3/CSA B45.4

Notes:
Install this product according to the installation instructions.

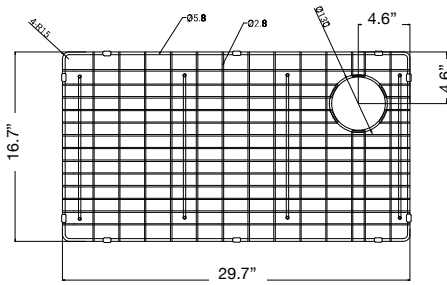


Faucet Hole Configurations available for this sink model

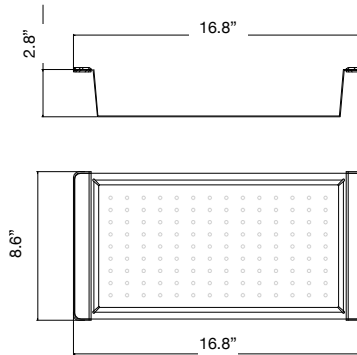


Optional Accessories

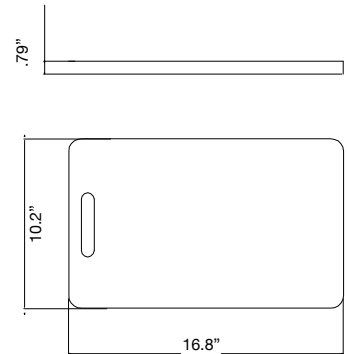
Bottom Sink Grid



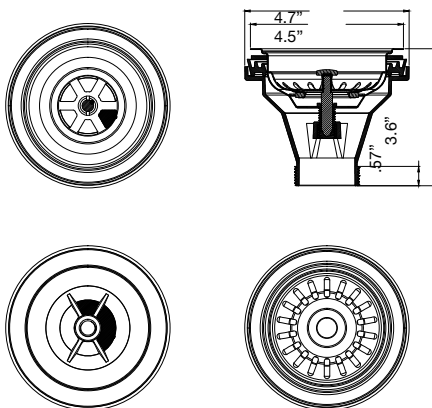
Colander



Cutting Board



Std. Sink Strainer



Roller Mat

