

FL LINEAR SHOWER BASE INSTALLATION MANUAL

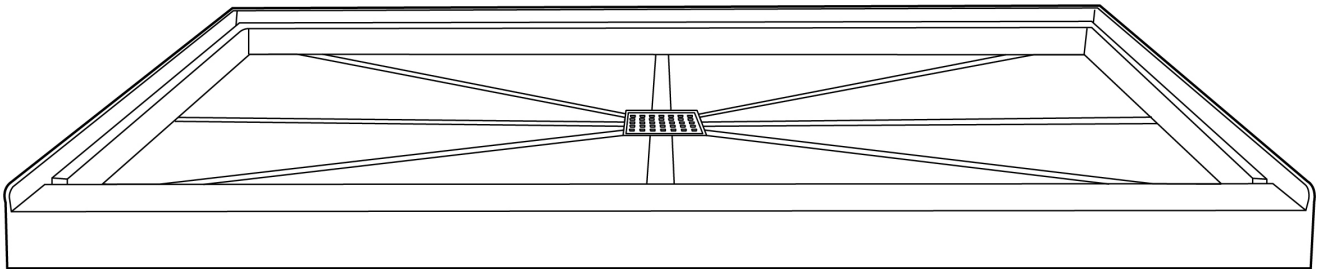
48" X 32" MODEL # FL4832C-XX

48" X 36" MODEL # FL4836C-XX

60" X 32" MODEL # FL6032C-XX

60" X 34" MODEL # FL6034C-XX

60" X 36" MODEL # FL6036C-XX



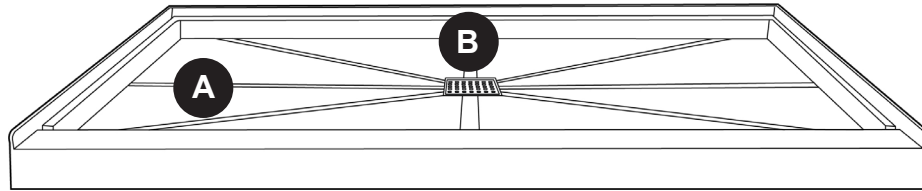
ATTACH YOUR RECEIPT HERE

Purchase Date _____

Questions, problems, missing parts? Call our customer service department at 1-877-632-6322,
8 a.m. - 5 p.m., EST, Monday - Friday

PACKAGE CONTENTS

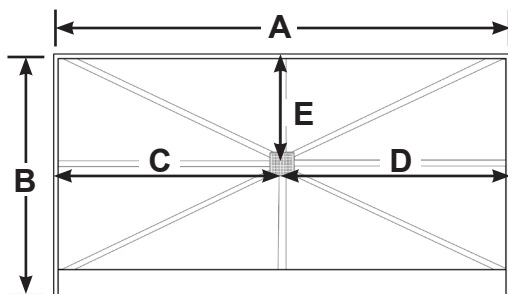
PART	DESCRIPTION	QUANTITY
A	Shower Base	1
B	Shower Drain Cover	1



SHOWER FLOOR & DRAIN OPENING - CONSTRUCTION DIMENSIONS

	Nominal Sz.	Dim. A	Dim. B	Dim. C	Dim. D	Dim. E
FL4832C	48" x 32"	48"	32"	24"	24"	15.1"
FL4836C	48" x 36"	48"	36"	24"	24"	17.1"
FL6032C	60" x 32"	60"	32"	30"	30"	15.1"
FL6034C	60" x 34"	60"	34"	30"	30"	16.1"
FL6036C	60" x 36"	60"	36"	30"	30"	17.1"

We can not anticipate every possible installation situation or condition. The variety of installations possible for this shower floor may require procedures other than those shown. Plan ahead to ensure that stud wall framework construction is correctly sized, plumb, and square.



** Make sure the drain hole in the subfloor or slab is large enough (6" diameter recommended) and aligns with the hole in the shower floor.*

! SAFETY INFORMATION

Please read and understand this entire manual and the appropriate wall panel installation manual before attempting to install the product.

WARNING

• DO NOT proceed if any doubt arises about the correct or safe method of performing anything found in this manual. If necessary, hire or consult a trained professional for expert assistance before continuing.

CAUTION

Use care when opening the box so you do not damage the shower base.

PREPARATION

Estimated Installation Time: 60 minutes

Tools Required for Assembly (not included): Level, Shims, Drain Fitting, Silicone/ Plumber's Putty, Wrench, 5 Gallon Empty Bucket, Thin Set Mortar & Water, 1/4" - 1/2" Grooved Trowel.

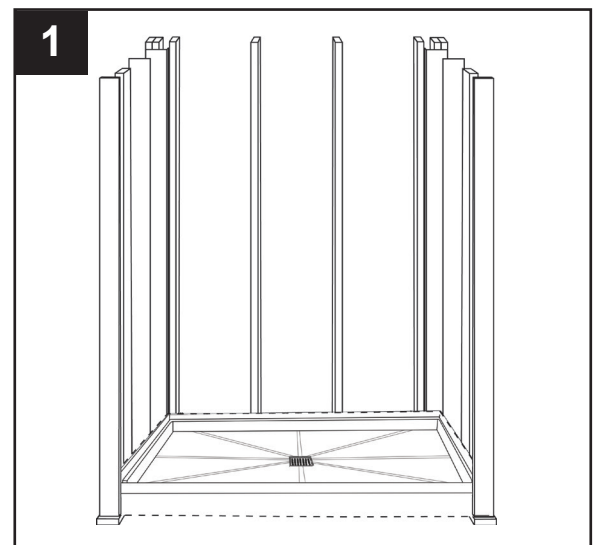
The stud preparation is critical for the installation of the shower base. It is essential the stud pocket be constructed square and plumb according to the roughing in information provided.

1. Please inspect the shower base for breakage and report any damage to the store of purchase. Allow the shower base to acclimate to room temperature before installing.
2. Clean and scrape the floor of the shower base alcove. This space must be free of any debris in order to get a proper adhesion with the thinset mortar.
3. Measure the size of the alcove to insure that the base and panels fit properly.
4. Trial fit the base in the alcove and make sure that the drain location lines up properly with the shower base. Placing a level on the base, check that the base sits level on the floor. If needed, use shims to level the base in the alcove. Note the shim locations before removing the base. Lean the base back or remove from the alcove.

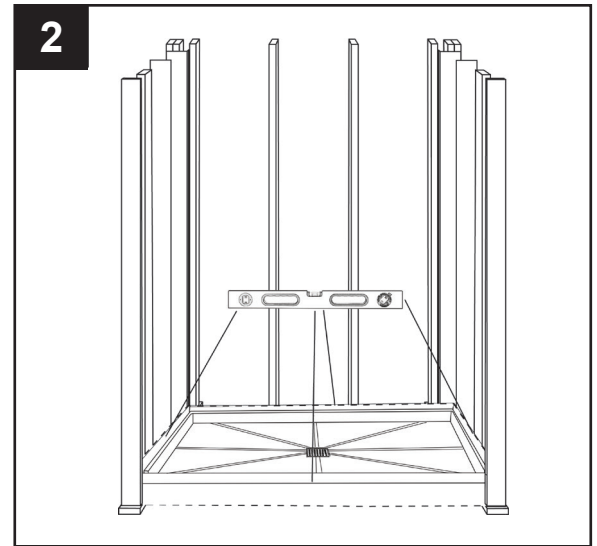
1. INSTALLING THE PAN

Install the drain fitting into the shower pan. Follow the installation instructions that came with the drain. Plumber's putty or silicone are acceptable to use with the drain.

Mix and apply thin-set mortar to the floor, using the notched trowel. Spread the mixture to achieve a depth necessary to fill the voids in the floor and enable the pan to sit level. A 50 lb. bag of thin-set should provide at least 45-50 square feet of coverage. All supporting points should have contact with the thinset mortar.



2. After applying the thin-set, replace the shims (if necessary) in the proper location and set the pan into place. Make sure the pan is resting level on the thin-set and shims and centered in opening.
3. Clean the area at the threshold of any excess thinset. Allow the thin-set and shower pan to cure for 24 hours before working in the pan area. Be sure to protect the pan floor after installation, using card board sheeting or a like material, until the complete project is finished
4. Before proceeding to install the wall system, flood test the shower pan for proper drainage.



CARE AND MAINTENANCE

Simply wipe the surface with a damp towel to remove watermarks and residues. For basic stains, clean with mild detergent or general purpose cleaner. For cleaning corners and seams, spray with mildew cleaner.

WARRANTY

Sheet Molding Compound Shower and Tub Walls, Shower Bases
5 Years Ltd. Residential / 3 Years Ltd. Commercial

We expressly warrant that products as listed above to be free of defects in material and workmanship, subject to the limitations set forth in this Limited Warranty. Each product will function for the purpose for which it was designed for the time period designated above from the date of purchase to the original buyer, provided it has been installed in accordance with the installation instructions provided and used as recommended, and not damaged due to excessive heat or abuse.

This warranty does not cover replacements and/or corrections caused by misuse, improper maintenance or normal wear and tear, acts of nature, scratches, chips or damage caused by failure of any adhesive, caulk or other accessory, or failure of any caulked or filled joint or seam. This Limited Warranty covers the product for normal interior use in the United States, Mexico and Canada and does not cover the product moved from its original place of installation. Labor charges incurred during any installations are not included under this Limited Warranty,

We will, at our option, repair, replace, or refund the purchase price of the product to the original purchaser if a product fails due to a manufacturing defect, which is discovered during the warranted years as listed above after the initial purchase. Replacements and/or corrections are at our sole discretion and will be limited in scope to reasonable and equitable remedy.

This Limited Warranty applies to these products that are purchased after January 1, 2011 and maintained as described by care and maintenance guide. You may obtain coverage by providing proof of the date of initial purchase. For service under this Limited Warranty, you must notify us in writing, providing your name and address, a description of the product involved, the nature of the defect or failure, and proof of purchase and date of purchase. Repair or replacement shall not include any labor charges. This limited warranty is non-transferable.

The address to which warranty problems should be reported is:
PO. Box 30
Warren, OH 44482-0030

We will ship (freight collect) to you products repaired or replaced under this Warranty.

Residential Limited Warranty

The warranty applies only to the original purchaser and installation of these products in residential applications. It does not apply to commercial applications.

Commercial Limited Warranty

The warranty applies only to the original purchaser and installation of these products in commercial applications,

THIS LIMITED WARRANTY IS IN LIEU OF ALL OTHER WARRANTIES, AND EXPRESSLY DISCLAIMS ALL OTHER WARRANTIES, EXPRESS OR IMPLIED, INCLUDING WITHOUT LIMITATION ANY IMPLIED WARRANTY OF MERCHANTABILITY OR FITNESS FOR A PARTICULAR PURPOSE. THIS LIMITED WARRANTY SETS FORTH THE PURCHASER'S SOLE REMEDY IN CONNECTION WITH THE SALE OR USE OF PRODUCTS COVERED BY THIS LIMITED WARRANTY AND IN NO EVENT SHALL WE, THE SELLER, BE OTHERWISE LIABLE FOR ANY LOSS, DAMAGE OR INJURY OF ANY NATURE ARISING OUT OF THE SALE OR USE OF THE PRODUCTS DELIVERED HEREUNDER, WHETHER FOR NEGLIGENCE, BREACH OF CONTRACT OR UNDER ANY OTHER LEGAL OR EQUITABLE THEORY, WE, THE SELLER, SHALL NOT BE LIABLE FOR ANY INDIRECT, SPECIAL OR CONSEQUENTIAL DAMAGES ARISING OUT OF THE SALE OR USE OF SUCH PRODUCTS, INCLUDING BUT NOT LIMITED TO LOST PROFITS, REVENUES, ANTICIPATED SALES, BUSINESS OPPORTUNITIES OR FOR INTERRUPTION OF BUSINESS* THIS WARRANTY IS NON-TRANSFERABLE.

*Some states do not allow the exclusion or limitation of incidental or consequential damages, so the above limitation or exclusion may not apply to you. This warranty gives you specific legal rights, and you may also have other rights which may vary from state to state.

Note: This warranty does not include items identified as wear items' that can be purchased. If you require replacement of a wear item' please contact us.

PO. Box 30 Tel: (800) 632-6322
Warren, OH 44482-0030 Fax: (330) 399-4426

