



## FEATURES

- Decorative ADA compliant 1" diameter grab bars enhance the look of the shower while providing peace of mind and independent living.
- Concealed mounting.
- Includes two flange covers.
- Heavy duty 304 stainless steel.
- Mounting hardware and mounting template included.

## FINISH

- 3 finishes: polished chrome, brushed stainless, powder coat black

## WARRANTY

- Lifetime Limited Residential / 5 Year Commercial

## INSTALLATION REQUIREMENT

- Wood blocking is preferable behind all wall surfaces. Use framing studs for mounting when available. If wood blocking is not available, the following fasteners are suggested: Tile/Masonry-Plastic or lead Anchors Plaster/drywall-Toggle bolts.



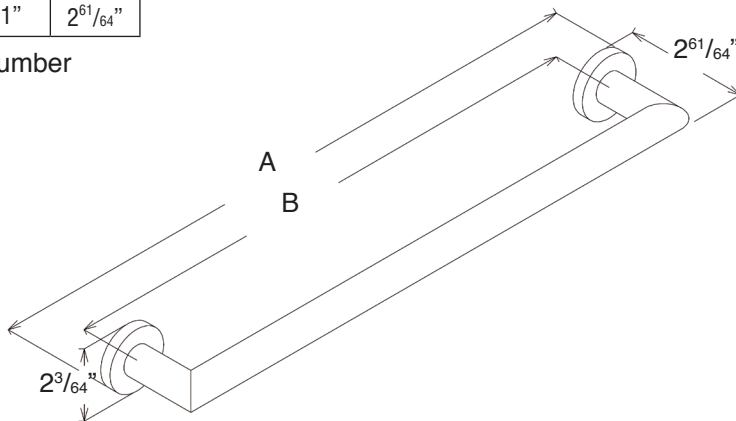
### To Be Specified:

	MODEL NO.	DESCRIPTION	Length		Dia.	Depth
			A	B		
<input type="checkbox"/>	TS12-	12" Grab Bar	13 <sup>55</sup> / <sub>64</sub> "	11 <sup>13</sup> / <sub>16</sub> "	1"	2 <sup>61</sup> / <sub>64</sub> "
<input type="checkbox"/>	TS16-	16" Grab Bar	17 <sup>51</sup> / <sub>64</sub> "	15 <sup>3</sup> / <sub>4</sub> "	1"	2 <sup>61</sup> / <sub>64</sub> "
<input type="checkbox"/>	TS18-	18" Grab Bar	19 <sup>49</sup> / <sub>64</sub> "	17 <sup>23</sup> / <sub>32</sub> "	1"	2 <sup>61</sup> / <sub>64</sub> "
<input type="checkbox"/>	TS24-	24" Grab Bar	25 <sup>43</sup> / <sub>64</sub> "	23 <sup>5</sup> / <sub>8</sub> "	1"	2 <sup>61</sup> / <sub>64</sub> "
<input type="checkbox"/>	TS32-	32" Grab Bar	33 <sup>35</sup> / <sub>64</sub> "	31 <sup>1</sup> / <sub>2</sub> "	1"	2 <sup>61</sup> / <sub>64</sub> "

**TO ORDER** add the finish code to end of model number

### To Be Specified: Finish

	Code	Finish
<input type="checkbox"/>	PC	Polished Chrome
<input type="checkbox"/>	BS	Brushed Stainless
<input type="checkbox"/>	BK	Black



BATH ACCESSORIES

## Compliance Certifications -

### Meets or Exceeds the Following Specifications



Meets the Americans with Disabilities Act guidelines and ANSI A117.1 requirements for accessible and usable building facilities-check local codes when installed per accessibility guidelines of the act.