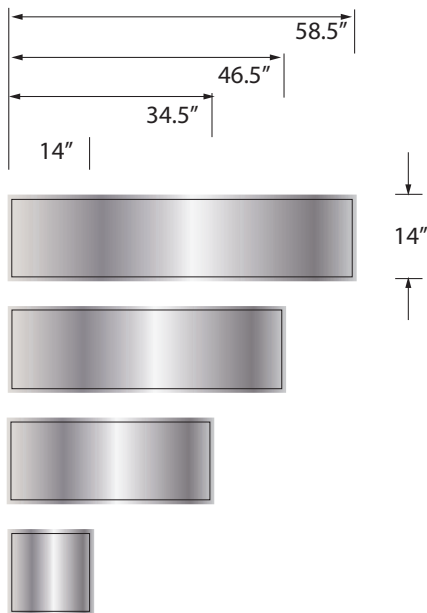




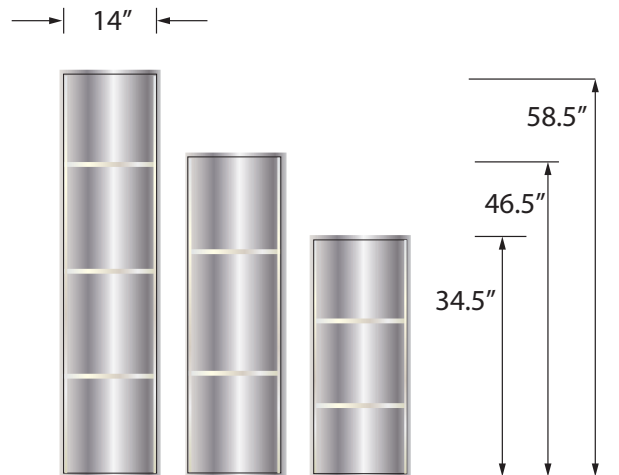
Transolid Stainless Steel Storage Pods Installation Instructions

- SAFETY GUIDELINES
- KIT CONTENTS
- REQUIRED TOOLS
- PREPARATION TIPS
- INSTALLATION PROCEDURE
- WARRANTY INFORMATION

STH - Horizontal Storage Pods



STV / STVL - Vertical Storage Pods



READ AND UNDERSTAND BEFORE INSTALLING

Form #SP-11.19

IMPORTANT NOTICE

IMPORTANT NOTICE: Indicates that equipment or property damage can result if instructions are not followed.

Read and Understand the Manual

It is the responsibility of any individual who installs or maintains this product to fully understand and follow proper installation and maintenance procedures. Be aware of the inherent dangers in the use of power tools when installing this product. Read and understand all Warnings, Cautions, and Important Notices in this manual.

Work Safely

DO NOT proceed if any doubt arises about the correct or safe method of performing anything found in this or other Transolid® manuals. The installation of this product can require using power tools. Do not use power tools without adequate training. If necessary, hire or consult a trained professional for expert assistance before continuing.

Use Proper Tools

Always use proper tools which are in good, working condition during the installation of the Transolid® products. Using tools other than those listed could adversely affect the integrity of floors, pipes, walls, or this product and could result in water damage or other damage to floors, pipes, walls, or other portions of your building or home.

Do Not Use Nails

The storage pod mounts to walls with 100% clear silicone sealant only. Transolid® recommends 100% clear silicone sealant to mount this product. Never use hammers, nails, or screws. Hammers, nails and screws could adversely affect the integrity of this product. Nails and screws could puncture the Transolid® Wall Systems and Panels, resulting in water or other damage to floors, pipes, walls or other portions of your building or home.

Inspect Before Cutting

Make sure no electrical wiring or plumbing is present before cutting into a wall to install any accessories.

Wall Conditions

Inspect the storage pods before installing. Never install pods over damp walls or an existing mold condition.

Use Proper Installation Methods

Follow all instructions related to wall surface preparation. Failure to follow such instructions could cause the pods to detach from the wall surface after installation, resulting in personal injury. Failure to follow these instructions could result in water damage.

WARNING

Lifting Hazard

According to the National Institute of Occupational Safety and Health, the recommended maximum safe lifting weight is 51 pounds, with all lifting conditions perfect - minimal forward reach, steady load close to the body, straight back, load between knees and shoulders, and good grips. To avoid personal injury, always use these proper lifting techniques and use two people to move carton weighing more than 51 lbs. The box containing Transolid® a storage pod can weigh in excess of 100 pounds depending on pod size. Use the appropriate lifting devices to move the load. Always use two people when lifting heavy or bulky cartons. DO NOT attempt to lift objects that are too heavy. When carrying a heavy load - get help!

Room Temperature

Consult the 100% silicone sealant manufacturer's instructions for storage and surface preparation. Failure to follow this recommendation could adversely affect the silicone sealants which holds the pods to the wall. If the pods are not correctly adhered to the walls, they may fall off, causing possible injury to someone in or around the shower enclosure.

Eye Protection

Be sure to use all personal protective equipment to ensure your own safety. To avoid eye injury, always wear protective glasses with side shields when using power tools. Also, make sure no one else can be injured by flying particles when using power tools.

Personal Protection

Be sure to use all personal protective equipment, such as sturdy work boots, preferably with steel toes, gloves, and hard hat, if necessary, to ensure your own safety. To prevent possible damage to your hearing, always wear ear protection, such as earmuffs or earplugs, when working around power tools.

Cutting Hazard

The installation of Transolid product may require using power tools. Keep hands away from the cutting edge of any tool used in the installation of our product. Place fingers in or around the cutting blades could result in serious personal injury.

Sharp Edge Hazard

After cutting the edge of a Transolid® panel, it can be sharp. Wear protective gloves to prevent personal injury.

Slipping Hazard

Do not install this product in the presence of water. Installing this product without drying all surfaces, or in the presence of water, could cause you to slip and fall due to wet floors or spilled fluids. Personal injury can result from slips or falls. Before installation, dry all surfaces, including the floor, with a cloth or paper towel. Clean up all water or spilled fluids immediately.

Fire Hazard

Personal injury or death can result from a fire caused by flammable liquids or silicone sealants. Cleaners or solvents can be highly explosive, resulting in personal injury or even death, when not used properly. Clean up any flammable substance immediately. Sparks or open flames can cause flammable substances to ignite. DO NOT smoke while working on or near any flammable substance.

Solvent Hazard

Follow all manufacturer's safety instructions for silicone sealants and denatured alcohol. Alcohol vapors are both flammable and hazardous to breathe. Silicone vapors may irritate eyes and nose. Personal injury can result from improperly handling or use of products, such as denatured alcohol. Always follow the manufacturer's recommendations for the safe use of these products. Ventilate any work area before beginning to apply silicone sealants, cleaning agents, or solvents.

Fumes Hazard

The fumes from the silicone and solvents used by the installer can be harmful if used in an unventilated room. Always work in a well ventilated area. To keep the area well-ventilated, open windows and use exhaust fans. If adequate ventilation is not achievable or practical, use respiratory protective equipment.

Dust Hazard

When cutting or drilling Transolid product, use a dust collection method which prevents dust particles from going into the air. Always work in a well-ventilated area. Always use an OSHA approved dust mask when cutting, drilling, or sanding Transolid® products.

Power Tool Hazard

To prevent personal injury or possible death, always follow the electrical safety recommendations of the power tool's manufacturer. Do not use power tools in an unsafe manner. Power tools should only be connected to a circuit protected by a ground-fault circuit interrupter (GFI).

Shock Hazard

Never use electric power tools around water, condensation, or other liquids. Electric shock can cause severe burns, significant injuries, and even death. If an extension cord is required, always use an OSHA approved extension cord. Power cords should only be connected to a circuit protected by a ground-fault interrupter (GFI).

Electrical Shock Hazard

Contacting live electrical wiring with power tools or hand tools can cause serious injury or death. Make sure all related circuit breakers are turned OFF. Test for live circuits or wiring inside any wall where installation of the Transolid® product requires cutting into a wall.

Electrocution Hazard

Water and other liquids conduct electric current and can create a short circuit, resulting in injury or death. Keep all liquids away from electrical cords and power tools. DO NOT create a short circuit between a source of electricity and a liquid by being in contact with both simultaneously.

General Information

Required Tools

- 100% clear silicone sealant
- Circular saw with 60 to 80 tooth carbide blade
- Saber saw (straight up and down travel) with bi-metal blade (14 teeth per inch)
- Drill with 3/8" drill bit
- Tape measure
- Masking tape (2" wide works best)
- Level
- Caulking gun
- Clean paper towels or shop towels
- 2 x 4 lumber, as required for bracing (see Bracing Instructions)
- Denatured alcohol

Kit Contents

Confirm that all parts of this kit has been included before beginning installation.

STH Horizontal Storage Pod - pod only

STV Vertical Storage Pod - pod and tempered glass shelves.

STV3414 - 2 glass shelves

STV4614 - 2 glass shelves

STV5814 - 3 glass shelves

STVL Lighted Vertical Pod - pod with installed light strips, tempered glass shelves and 12V battery pack. Refer to STV for number of shelves included.

For best results, use 100% clear silicone sealant for bonding this product to a wall. You will need one tube of 100% clear silicone sealant (tube sized to fit a standard caulking gun). Follow the application recommendation located in the Pod Installation of this manual.

Unpackaging

•Use care when opening the box so that you do not damage the pods.

•This product is shipped to you or your retail center after careful inspection. After purchasing the kit, carefully unbox and inspect the product for any shipping damage that may have occurred. If damage is found, report it immediately to the store of purchase. After inspection and during installation, protect the products from construction damage by moving them to another room or area until ready to install.

•Please use the model number located on the side of the box or the front of this manual when contacting us with questions concerning the installation of this unit.

•Installation of damaged product will void the warranty.

Preparation Tips

- Read these instructions carefully and familiarize yourself with the various parts of the kit.
- The mounting surface must be free of dirt, film, waxes, or any other residues.
- When you are installing a recessed accessory such as a storage pod, cut the hole after the panel is installed and fully supported by the wall. Remember to position the storage pod between the wall studs.

Installation Procedure - STH and STV

• Wall panels and sub wall (cement board) must be cut to install storage pods.

•Determine the placement location of the storage pod and mark the cut-out dimensions on the wall. Consult the cut-out dimensions below for your storage pod.

Horizontal Storage Pods

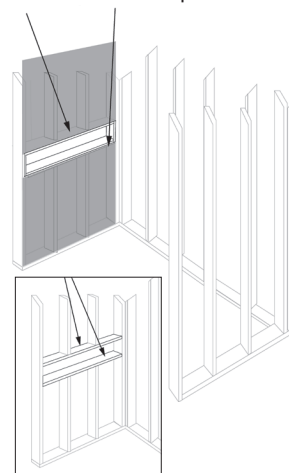
Model No	Cut Out Dimensions	
	Width	Height
STH5814	57-1/2"	13"
STH4614	45-1/2"	13"
STH3414	33-1/2"	13"
STH1414	13"	13"

Vertical Storage Pods

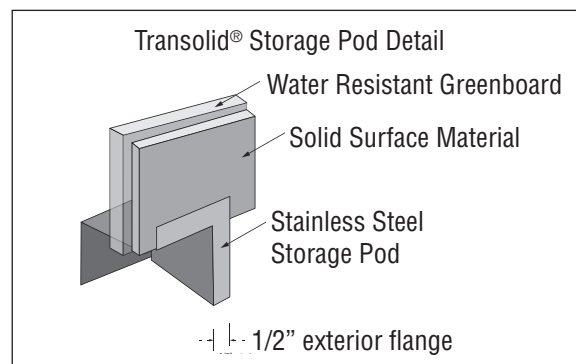
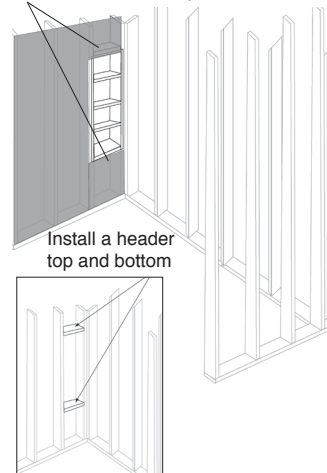
Model No	Cut Out Dimensions	
	Width	Height
STV5814	13"	57-1/2"
STV4614	13"	45-1/2"
STV3414	13"	33-1/2"

•Place pieces of masking tape over the area where the saw contacts the finished surface of the wall panel. Cut the panel and sub wall using a circular saw with a 60-80 tooth carbide blade or a saber saw with bi-metal blade (14 teeth per inch). Install a header top and bottom.

Horizontal Storage Box
Install a header top and bottom



Vertical Storage Box
Install a header top and bottom



Installation Procedure

Storage Pod Installation *continued*

- Dry fit the storage pod into the cut out area. Before starting final installation, make sure the wall surface is clean and dry.
- Apply 100% silicone to the back side of the 1/2" frame surrounding the pod. Insert the storage pod into cut out area. Make sure the storage pod is straight and level.
- Apply masking tape to secure the storage pod to wall until the silicone caulk is dry. Drying time should be noted on silicone caulk tube.

Caulking Tips

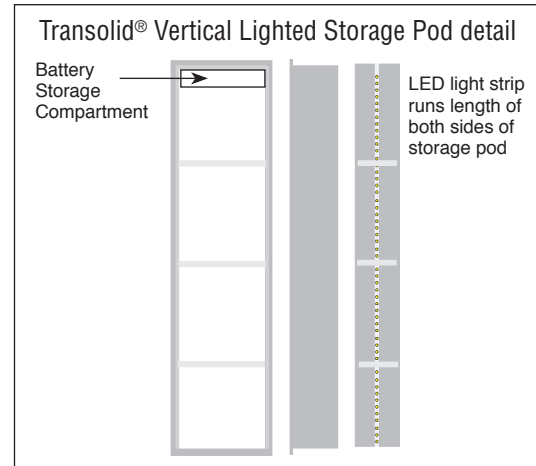
- Follow the instructions on the silicone caulk tube.
- When job is complete, inspect all caulked areas for gaps and fill as needed.
- Clean up any excess silicone that was missed using denatured alcohol and a clean cloth.

Installation of Lighted Storage Pods

- Vertical Lighted Pods are lined with solid surface material and have waterproof light strips on both side walls. Illumination of lights is triggered from a motion sensor built into the storage pod. Power is thru 12V battery pack stored within storage pod. The battery pack is secured in pod with a magnet and is easily removable for recharging via micro USB. Glass shelves with locking shelf clips are included.

Installation of Lighted Storage Pod *continued*

- Follow Installation Procedure on previous page for STV storage pod. After Pod is installed in wall, remove the cover to the Battery Storage Compartment. Disconnect and remove battery from compartment. Charge battery with supplied micro USB. After battery is fully charged, reconnect to magnetic plate which is attached to storage pod. Replace cover.



WARRANTY Storage Pods - 10 Years Ltd. Residential / 3 Years Ltd. Commercial

TRANSOLID, Div. expressly warrants its products as listed above to be free of defects in material and workmanship, subject to the limitations set forth in this Limited Warranty. Each product will function for the purpose for which it was designed for the time period designated above from the date of purchase to the original buyer, provided it has been installed in accordance with the installation instructions provided by TRANSOLID, Div., used as recommended, and not damaged due to excessive heat or abuse.

This warranty does not cover replacements and/or corrections caused by misuse, improper maintenance or normal wear and tear, acts of nature, scratches, chips or damage caused by failure of any adhesive, caulk or other accessory, or failure of any caulked or filled joint or seam. This Limited Warranty covers the product for normal interior use in the United States, Mexico and Canada and does not cover the product moved from its original place of installation. Labor charges incurred during any installations are not included under this Limited Warranty.

TRANSOLID, Div. will, at its option, repair, replace, or refund the purchase price of the product to the original purchaser if a TRANSOLID, Div. product fails due to a TRANSOLID, Div. manufacturing defect, which is discovered during the warranted years as listed above after the initial purchase. Replacements and/or corrections are at the sole discretion of the Transolid, Div. and will be limited in scope to reasonable and equitable remedy.

This Limited Warranty applies to TRANSOLID, Div. products that are purchased after January 1, 2011 and maintained as described by TRANSOLID's care and maintenance guide. (If needed, the care and maintenance guide can be found on the TRANSOLID website at www.transolid.com.) You may obtain coverage by providing proof of the date of initial purchase. For service under this Limited Warranty, you must notify TRANSOLID, Div. in writing, providing your name and address, a description of the product involved, the nature of the defect or failure, and proof of purchase and date of purchase. Repair or replacement shall not include any labor charges. This limited warranty is non-transferable.

The address to which warranty problems should be reported is: Transolid, Div., P.O. Box 30, Warren, OH 44482-0030 Transolid will ship (freight collect) to you products repaired or replaced under this Warranty.

Residential Limited Warranty. The warranty applies only to the original purchaser and installation of Transolid® products in residential applications. It does not apply to commercial applications.

Commercial Limited Warranty

The warranty applies only to the original purchaser and installation of Transolid® products in commercial applications.

THIS LIMITED WARRANTY IS IN LIEU OF ALL OTHER WARRANTIES, AND TRANSOLID, Div. EXPRESSLY DISCLAIMS ALL OTHER WARRANTIES, EXPRESS OR IMPLIED, INCLUDING WITHOUT LIMITATION ANY IMPLIED WARRANTY OF MERCHANTABILITY OR FITNESS FOR A PARTICULAR PURPOSE. THIS LIMITED WARRANTY SETS FORTH THE PURCHASER'S SOLE REMEDY IN CONNECTION WITH THE SALE OR USE OF PRODUCTS COVERED BY THIS LIMITED WARRANTY AND IN NO EVENT SHALL TRANSOLID, Div. BE OTHERWISE LIABLE FOR ANY LOSS, DAMAGE OR INJURY OF ANY NATURE ARISING OUT OF THE SALE OR USE OF THE PRODUCTS DELIVERED HEREUNDER, WHETHER FOR NEGLIGENCE, BREACH OF CONTRACT OR UNDER ANY OTHER LEGAL OR EQUITABLE THEORY. TRANSOLID, Div. SHALL NOT BE LIABLE FOR ANY INDIRECT, SPECIAL OR CONSEQUENTIAL DAMAGES ARISING OUT OF THE SALE OR USE OF SUCH PRODUCTS, INCLUDING BUT NOT LIMITED TO LOST PROFITS, REVENUES, ANTICIPATED SALES, BUSINESS OPPORTUNITIES OR FOR INTERRUPTION OF BUSINESS*. THIS WARRANTY IS NON-TRANSFERABLE.

*Some states do not allow the exclusion or limitation of incidental or consequential damages, so the above limitation or exclusion may not apply to you. This warranty gives you specific legal rights, and you may also have other rights which may vary from state to state.

Note: Transolid warranty does not include items identified as 'wear items' that can be purchased through Transolid. If you require replacement of a 'wear item', please contact Transolid.

Transolid, Div.
P.O. Box 30
Warren, OH 44482-0030

(800) 766-2452
Fax (330) 399-4426

www.transolid.com
E-mail: sales@transolid.com