

### FEATURES

- Panels are each 4mm thick with 3 layers; a sandwich of thick aluminum on both the surface and back with a strong mineral resin core in the middle for strength.
- Technical qualities provide for strength and stability, with a structure that is highly water resistant.
- Super high resolution digital images are transferred to a specialized aluminum panel that yields an appearance of genuine stone, porcelain or concrete.
- Surfaces are highly scratch resistant and are available in super high gloss finish.
- Mono-Tone and Two-Tone wall kits are available.
- Panels are extremely lightweight, weighing 1.3 lbs/sq. ft. for easy installation and handling.
- Fabrication is done with regular carbon steel tools, using a circular saw and an aluminum cutting blade.
- Panels can be used either in the shower or on bathroom or other room walls for a luxurious natural stone look.
- Kit includes (3) panels (two 48" x 96" and one 39" x 96"), (2) flat inside corner trims in same color in 48" wide panel and (2) aluminum outside edge trims.



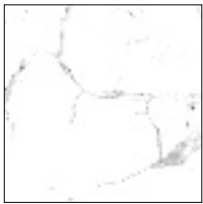
### OPTIONS

- Corner and center storage kits are available for installation with shower wall kits, as well as storage pods & caddies, grab bars, storage shelves, shower seats & benches are available to coordinate with the walls..

### Wall Kit Models

	Model No.	Overall Size L x W x H	Actual Side Panel Width	Actual Back Panel Width	Ship Wt.(lbs)
☐	TWKE603696	60"x36"x96"	(2) 48" x 96"	(1) 39" x 96"	136

### To Be Specified: Mono-Tone Finish



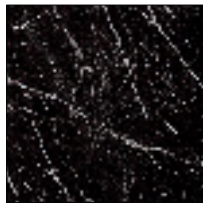
White Caruso **KI01G**



Savanna Grey **KI31G**



Summit **KI58G**



Black Caruso **KI03G**



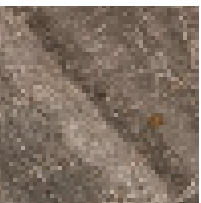
Savanna Creme **KI32G**



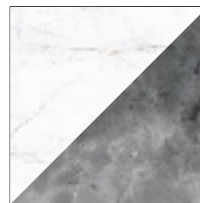
Maelstrom Grey **KI63G**



Summit Gold **KI80G**

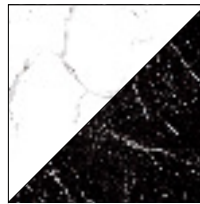


Sahara **KI82G**

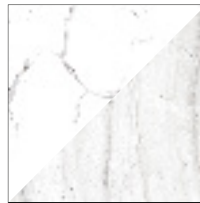


Summit/Maelstrom Grey  
**\*SKI58GBK163G**

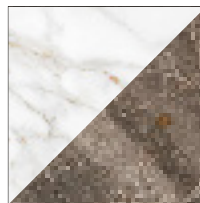
### Two-Tone Finish



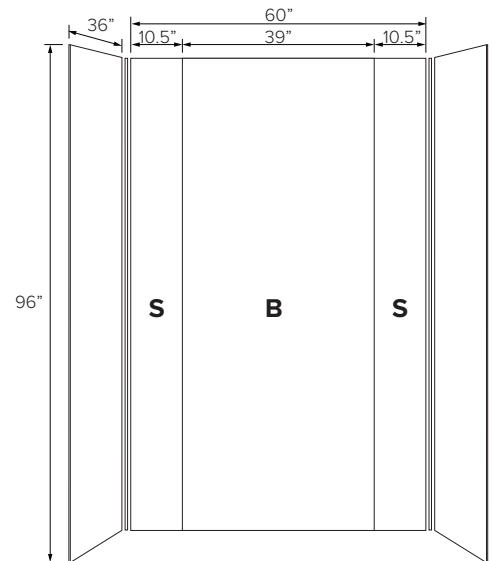
White/Black Caruso  
**\*SKI01GBK103G**



White Caruso/Savanna Grey  
**\*SKI01GBK103G**



Summit Gold/Sahara  
**\*SKI80GBK182G**



\* **S** represents (2) 48"x 96" panels which can be used on two sides and back of the shower. **B** represents (1) 39"x 96" panel which is used as center of the shower back wall.

## Features

- Heavy Duty SMC Sheet Molding Compound Material
- Light weight. Natural stone effect.
- 63" length bases meet ADA requirements
- Bases can be custom sized within a range. See chart below for range sizing.
- SMC color-matched drain cover conceals a conventional 2" shower drain (not supplied).
- Stock bases can be used as a Single, Double or Triple Threshold
- Ultra low 1" threshold front curb for easy access. After underlayment and finished floor virtually a flush entrance to the shower.
- Slip-resistant lightly textured slate floor for a safe environment yet maintains an easy to clean surface

## Warranty

- 10 Year Limited Residential/ 3 Year Commercial Warranty

## Stock Sized Specified Models

	Model No.	Length A	Width B	Height
<input type="checkbox"/>	FZS6032R/L	60"	31.5"	1.0"
<input type="checkbox"/>	FZS6036R/L	60"	35.5"	1.0"
<input type="checkbox"/>	FZS6040R/L	60"	39.4"	1.0"
<input type="checkbox"/>	FZS6332R/L*	63"	31.5"	1.0"
<input type="checkbox"/>	FZS6336R/L*	63"	35.5"	1.0"
<input type="checkbox"/>	FZS6340R/L*	63"	39.4"	1.0"
<input type="checkbox"/>	FZS6736R/L*	67"	35.5"	1.0"

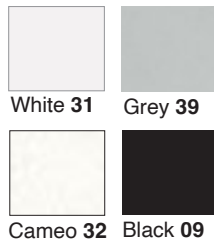
\* Meets ADA requirements.

**Custom Sized Models** (Specify Lgth,Depth, RH or LH)  
can only be used as a Single or Double Threshold

	Model No.	Max Lgth A	Min Lgth B	Max Depth A	Min Depth B
<input type="checkbox"/>	CFZS6032R/L	60"	56"	31.5"	29.5"
<input type="checkbox"/>	CFZS6036R/L	60"	56"	35.5"	33.5"
<input type="checkbox"/>	CFZS6040R/L	60"	56"	39.4"	37.4"
<input type="checkbox"/>	CFZS6332R/L	63"	59"	31.5"	29.5"
<input type="checkbox"/>	CFZS6336R/L	63"	59"	35.5"	33.5"
<input type="checkbox"/>	CFZS6340R/L	63"	59"	39.4"	37.4"
<input type="checkbox"/>	CFZS6736R/L	67"	63"	35.5"	33.5"

## To Be Specified: Color

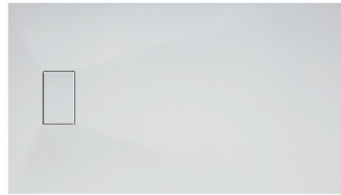
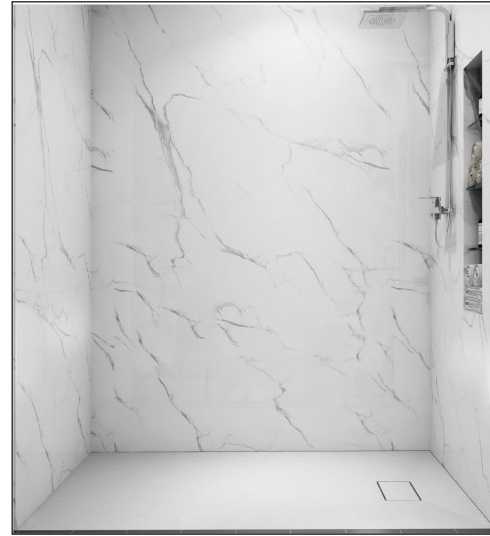
<input type="checkbox"/>	31 White
<input type="checkbox"/>	32 Cameo
<input type="checkbox"/>	39 Grey
<input type="checkbox"/>	09 Black



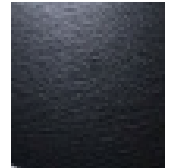
## Compliance Certifications

Meets or Exceeds the Following Specification

- IGC 154-2012
- ASME A112.18.1 / CSA B125.125.1-11
- IAPMO
- cUPC®



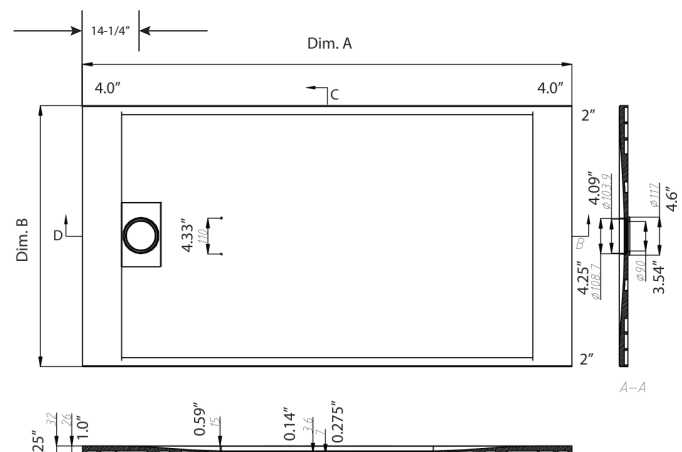
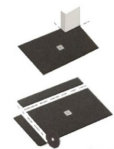
Modern Slip Resistance with a stone look texture. Easy to clean as well as slip resistant.



## CUSTOMIZABLE BASE

**Note:** Bases can be built to accommodate unique sizes. Notches can also be cut from the bases to allow for columns in a corner

Base can be built to custom sizes within certain limitations. Can be trimmed up to 4" in width from side opposite drain or up to 2" from depth. Base is designed to be used as a single, double or triple threshold in stock sizes and single threshold models in custom sizes



SHOWER BASES



### FEATURES:

- Transolid stainless steel grab bar shelves are a beautiful, easy-to-install addition to Transolid Titan, Prodigy, Expressions, and SaraMar solid surface walls, or any other solid surface or tile shower.
- Grab bar includes 14-gauge shelf and 8-gauge rail to ensure shower products and accessories do not fall from the shelf.
- Includes concealed mounting hardware and installation guide.
- Install directly on tile inside or outside of the shower, requires 2-in solid wood in wall backing.
- Compatible with many bathroom accessories offered by Transolid to complete your desired style.
- Durable stainless steel provides safe storage with a weight capacity up to 300lbs., long-lasting corrosion, rust, and chemical resistant.



### WARRANTY

- Lifetime Limited Residential / 5 Year Commercial

### INSTALLATION REQUIREMENT

- To assure proper and safe installation, use minimum 2" thick solid wood in-wall backing material. Backing must comply with building code requirements.

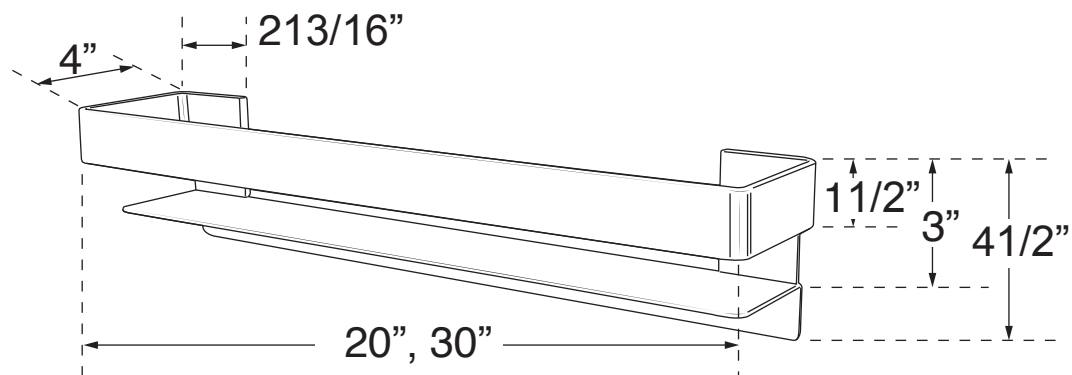
### To Be Specified:

	MODEL NO.	DESCRIPTION	Height	Width	Depth
<input type="checkbox"/>	JGBS20	20" Grab Bar shelf	3"	20"	4"
<input type="checkbox"/>	JGBS30	30" Grab Bar shelf	3"	30"	4"

**TO ORDER** add the finish code to end of model number

### To Be Specified: Finish

	Code	Finish
<input type="checkbox"/>	PC	Polished Chrome
<input type="checkbox"/>	BS	Brushed Stainless
<input type="checkbox"/>	MB	Matte Black
<input type="checkbox"/>	CB	Champagne Bronze





## FEATURES

- Decorative ADA compliant 1" diameter grab bars enhance the look of the shower while providing peace of mind and independent living.
- Concealed mounting.
- Includes two flange covers.
- Heavy duty 304 stainless steel.
- Mounting hardware and mounting template included.

## FINISH

- 3 finishes: polished chrome, brushed stainless, powder coat black

## WARRANTY

- Lifetime Limited Residential / 5 Year Commercial

## INSTALLATION REQUIREMENT

- Wood blocking is preferable behind all wall surfaces. Use framing studs for mounting when available. If wood blocking is not available, the following fasteners are suggested: Tile/Masonry-Plastic or lead Anchors Plaster/drywall-Toggle bolts.



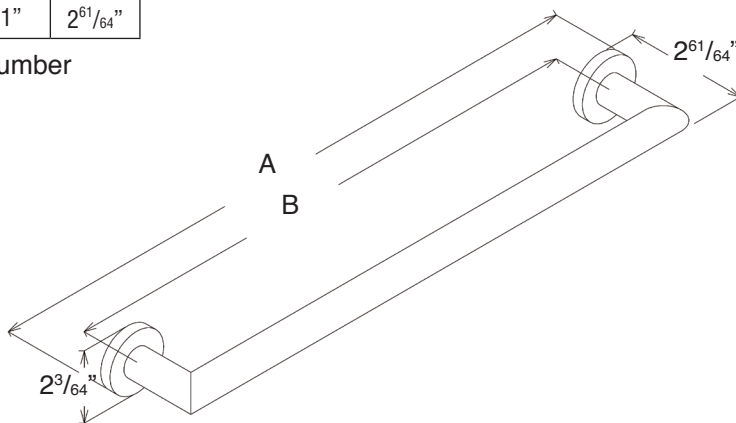
### To Be Specified:

	MODEL NO.	DESCRIPTION	Length		Dia.	Depth
			A	B		
<input type="checkbox"/>	TS12-	12" Grab Bar	13 <sup>55</sup> / <sub>64</sub> "	11 <sup>13</sup> / <sub>16</sub> "	1"	2 <sup>61</sup> / <sub>64</sub> "
<input type="checkbox"/>	TS16-	16" Grab Bar	17 <sup>51</sup> / <sub>64</sub> "	15 <sup>3</sup> / <sub>4</sub> "	1"	2 <sup>61</sup> / <sub>64</sub> "
<input type="checkbox"/>	TS18-	18" Grab Bar	19 <sup>49</sup> / <sub>64</sub> "	17 <sup>23</sup> / <sub>32</sub> "	1"	2 <sup>61</sup> / <sub>64</sub> "
<input type="checkbox"/>	TS24-	24" Grab Bar	25 <sup>43</sup> / <sub>64</sub> "	23 <sup>5</sup> / <sub>8</sub> "	1"	2 <sup>61</sup> / <sub>64</sub> "
<input type="checkbox"/>	TS32-	32" Grab Bar	33 <sup>35</sup> / <sub>64</sub> "	31 <sup>1</sup> / <sub>2</sub> "	1"	2 <sup>61</sup> / <sub>64</sub> "

**TO ORDER** add the finish code to end of model number

### To Be Specified: Finish

	Code	Finish
<input type="checkbox"/>	PC	Polished Chrome
<input type="checkbox"/>	BS	Brushed Stainless
<input type="checkbox"/>	BK	Black



## Compliance Certifications -

### Meets or Exceeds the Following Specifications



Meets the Americans with Disabilities Act guidelines and ANSI A117.1 requirements for accessible and usable building facilities-check local codes when installed per accessibility guidelines of the act.

## Features

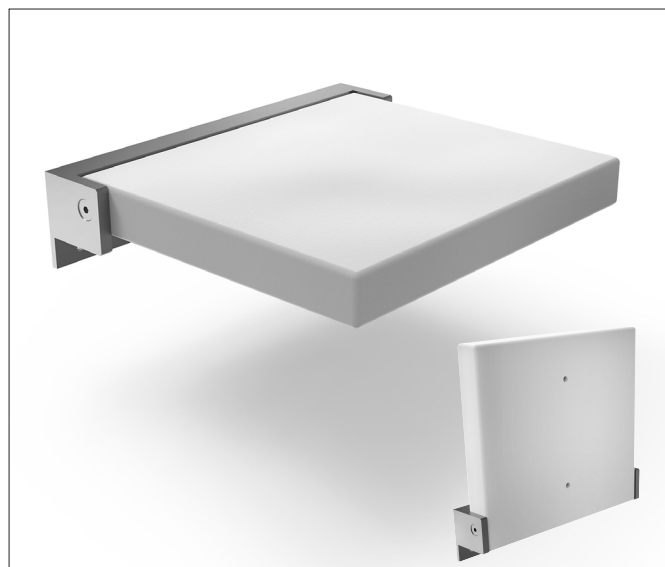
- Foldable Seat
- Stainless steel mounting bracket for durability
- Holds up to 300 lbs. capacity
- Anti-microbial seat for sanitation

## Warranty

- Lifetime Limited Warranty for residential use
- 5 Year Limited Warranty for commercial use

## Colors & Finishes

- 2 seat colors available: White (01) & Black (09)
- 4 bracket finishes available (See below)



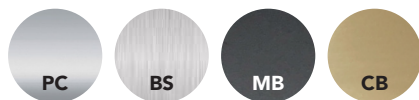
## Specified Model

<b>Model</b>	<b>PPS1414UP-</b>
Size	13.6" x 14" x 1.8"
Shipping Weight	14 lbs.

<b>Model</b>	<b>PPS1420UP-</b>
Size	13.6" x 20" x 1.8"
Shipping Weight	20 lbs.

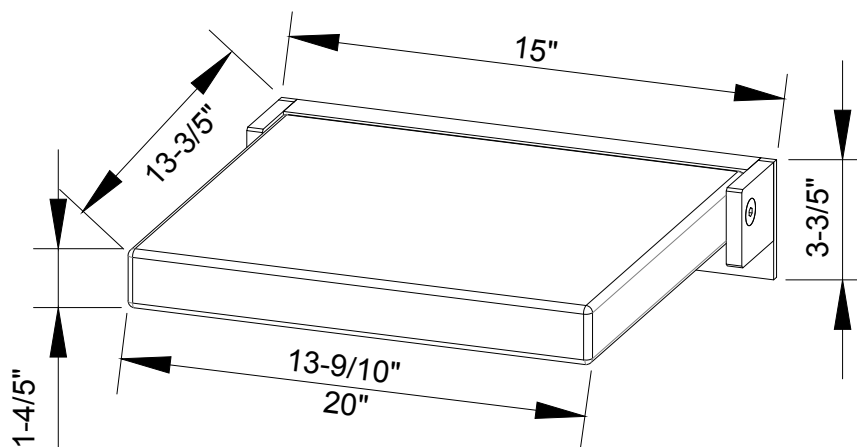
## To Be Specified:

Bracket Finishes	
<input type="checkbox"/>	<b>PC</b> Polished Chrome
<input type="checkbox"/>	<b>BS</b> Brushed Steel
<input type="checkbox"/>	<b>MB</b> Matte Black
<input type="checkbox"/>	<b>CB</b> Champagne Bronze



SMPPS1414UP- only available in Polished Chrome

SMPPS1420UP- available in all four finishes



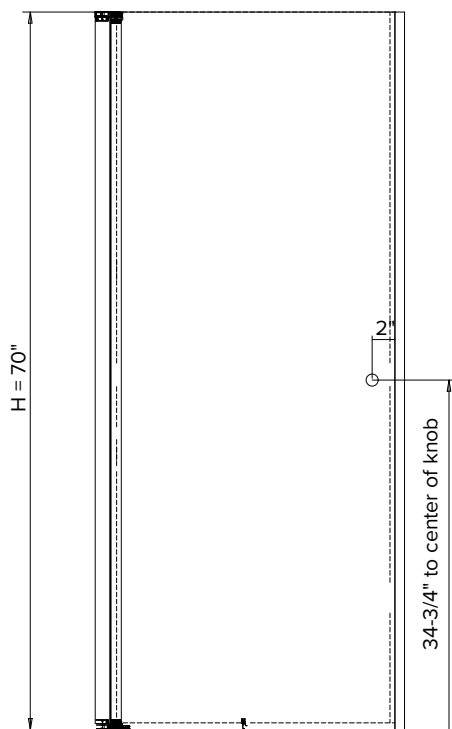
## FEATURES

- A modern, frameless pivot shower door, with a slim profile swing frame.
- Walk-in Opening from 19-3/4" - 31-3/4" wide.
- Attractive frame made from aluminum alloy features aluminum magnetic profile and magnetic seal
- Up to 1-inch adjustment for out-of-plumb (uneven) walls within wall profiles.
- Clear tempered glass is ANSI Z97.1 certified. Glass thickness: 1/4" (6mm).
- Hardware finishes: Polished Chrome, Brushed Stainless, and Matte Black.
- Shower base threshold minimum requirement is 2-3/8" wide.
- **IMPORTANT!** All measurements should be taken only **AFTER** walls are finished (tile, backwalls, etc.); Professional installation recommended.
- The door comes with double side knobs.
- Limited Lifetime Warranty for residential use and 1 year when used commercially.



## Specify Model

	Size	Model	Min. Width	Max. Width	Height	Weight	Walk-Through Width
<input type="checkbox"/>	24" x 70"	LSD247006C-	23.5"	24.5"	70"	42 lbs.	19.75"
<input type="checkbox"/>	25" x 70"	LSD257006C-	24.5"	25.5"	70"	44 lbs.	20.75"
<input type="checkbox"/>	26" x 70"	LSD267006C-	25.5"	26.5"	70"	46 lbs.	21.75"
<input type="checkbox"/>	27" x 70"	LSD277006C-	26.5"	27.5"	70"	48 lbs.	22.75"
<input type="checkbox"/>	28" x 70"	LSD287006C-	27.5"	28.5"	70"	51 lbs.	23.75"
<input type="checkbox"/>	29" x 70"	LSD297006C-	28.5"	29.5"	70"	53 lbs.	24.75"
<input type="checkbox"/>	30" x 70"	LSD307006C-	29.5"	30.5"	70"	55 lbs.	25.75"
<input type="checkbox"/>	31" x 70"	LSD317006C-	30.5"	31.5"	70"	57 lbs.	26.75"
<input type="checkbox"/>	32" x 70"	LSD327006C-	31.5"	32.5"	70"	59 lbs.	27.75"
<input type="checkbox"/>	33" x 70"	LSD337006C-	32.5"	33.5"	70"	62 lbs.	28.75"
<input type="checkbox"/>	34" x 70"	LSD347006C-	33.5"	34.5"	70"	64 lbs.	29.75"
<input type="checkbox"/>	35" x 70"	LSD357006C-	34.5"	35.5"	70"	66 lbs.	30.75"
<input type="checkbox"/>	36" x 70"	LSD367006C-	35.5"	36.5"	70"	68 lbs.	31.75"



SHOWER DOORS

### To Be Specified: Hardware Color

<input type="checkbox"/>	PC Chrome
<input type="checkbox"/>	BS Brushed Stainless
<input type="checkbox"/>	MB Matte Black



### To Be Specified: Glass

<input type="checkbox"/>	C Clear
--------------------------	---------



Walk through width 28-3/4" - 31-3/4"

