

Features

- 60" X 32" x 20-1/4" alcove bathtub.
- Acrylic material
- Left-hand or right-hand drain location. (Must specify LH or RH when ordering.)
- Standard bathtub: through-the-floor drain installation.
- Drain not included.
- Built-in round overflow
- 10 Year Limited Residential Warranty / 3 Year Commercial Warranty

Options:

- **SMTDT- Traditional bathtub drain with round overflow in decorative finishes. See back for information.**

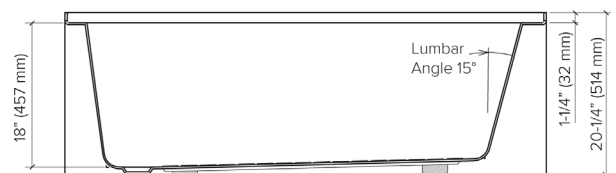
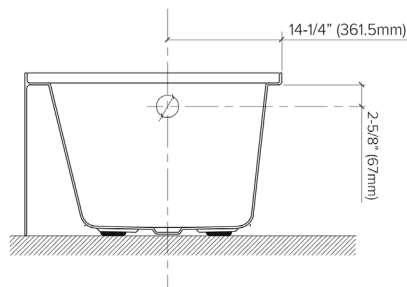
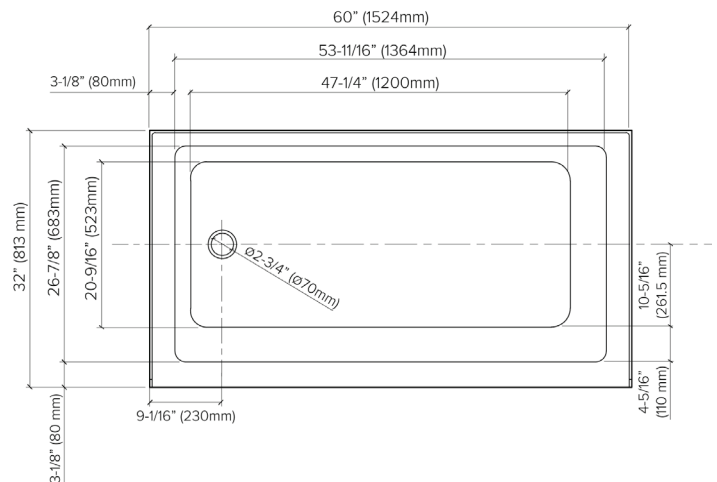
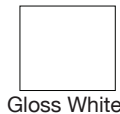
Specified Model

MODEL	UATTR603220-L/R
Dimensions	60" x 32" x 20-1/4"
Drain Outlet	Left-Hand or Right-Hand
Water Capacity	74 gallons
Item Weight	86.87 lbs.
Shipping Weight	87.74 lbs.
Material	Acrylic
Installation	Alcove
Required	Wall mount faucet



To Be Specified:

COLOR
<input type="checkbox"/> White
FINISH
<input type="checkbox"/> Gloss



Meets or Exceeds the Following Specifications
CSA B45.5/IAPMO Z124

OPTIONAL

SMTDT bathtub drain in decorative finishes

SPECIFICATIONS

SMTDT traditional Bathtub Drain with Overflow.
Drain is available in PVC only.

Finishes: PC Polished Chrome, BN Brushed Nickel
and MB Matte Black.

To Be Specified:

	FINISH
<input type="checkbox"/>	PC Polished Chrome
<input type="checkbox"/>	BN Brushed Nickel
<input type="checkbox"/>	MB Matte Black

