

## Features

- 60" X 32" x 16-15/16" alcove bathtub.
- Acrylic material
- Left-hand or right-hand drain location. (Must specify LH or RH when ordering.)
- Above Floor Rough (AFR) bathtub: above-the-floor drain installation.
- Drain not included.
- Built-in round overflow
- 10 Year Limited Residential Warranty / 3 Year Commercial Warranty

## Options:

- **SMTDT- Traditional bathtub drain with round overflow in decorative finishes. See back for information.**

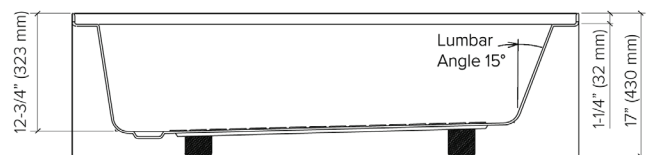
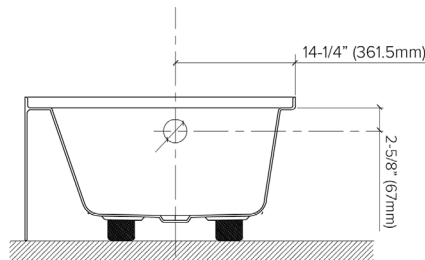
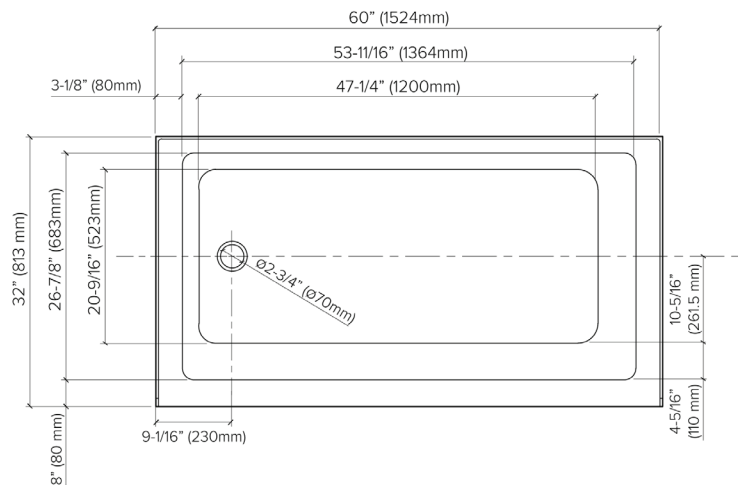
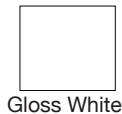
## Specified Model

MODEL	UATTR603217-L/R
Dimensions	60" x 32" x 16-15/16"
Drain Outlet	Left-Hand or Right-Hand
Water Capacity	60.5 gallons
Item Weight	79.99 lbs.
Shipping Weight	80.86 lbs.
Material	Acrylic
Installation	Alcove
Required	Wall mount faucet



## To Be Specified:

COLOR	
<input type="checkbox"/>	White
FINISH	
<input type="checkbox"/>	Gloss



**OPTIONAL**

SMTDT bathtub drain in decorative finishes

**SPECIFICATIONS**

SMTDT traditional Bathtub Drain with Overflow.  
Drain is available in PVC only.

**Finishes:** PC Polished Chrome, BN Brushed Nickel  
and MB Matte Black.

**To Be Specified:**

	FINISH
<input type="checkbox"/>	PC Polished Chrome
<input type="checkbox"/>	BN Brushed Nickel
<input type="checkbox"/>	MB Matte Black



PC



BN



MB

