

Features

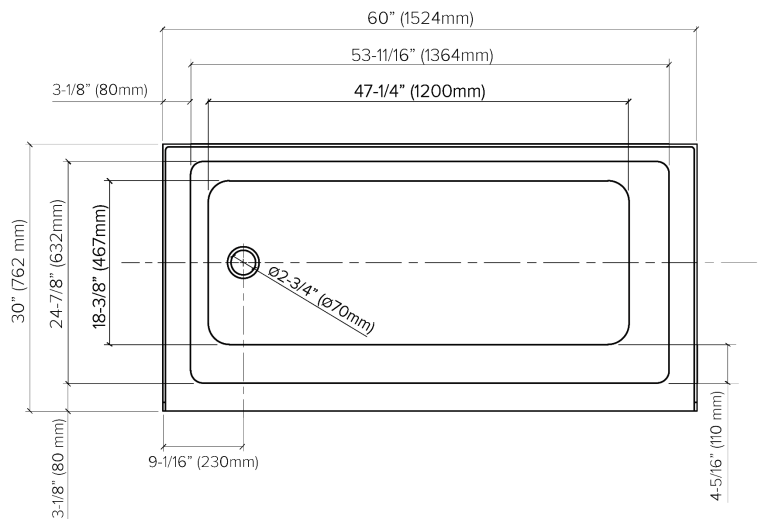
- 60" X 30" x 22-1/4" alcove bathtub.
- Acrylic material.
- Left-hand or right-hand drain location. (Must specify LH or RH when ordering.)
- Above Floor Rough (AFR) bathtub: above-the-floor-drain installation.
- Drain not included.
- Built-in round overflow.
- 10 Year Limited Residential Warranty / 3 Year Commercial Warranty.

Options:

- **SMTDT- Traditional bathtub drain with round overflow in decorative finishes. See back for information.**

Specified Model

Model	UATTR603022-L/R
Dimensions	60" x 30" x 22-1/4"
Drain Outlet	Left-Hand or Right-Hand
Water Capacity	67.5 gallons
Item Weight	91.8 lbs.
Shipping Weight	92.67 lbs.
Material	Acrylic
Installation	Alcove
Required	Wall mount faucet

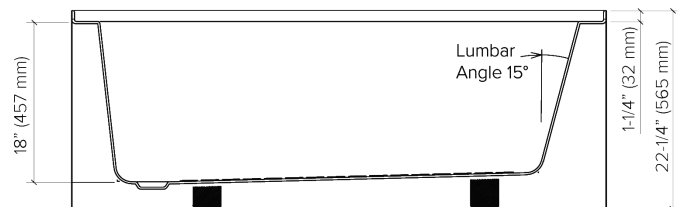
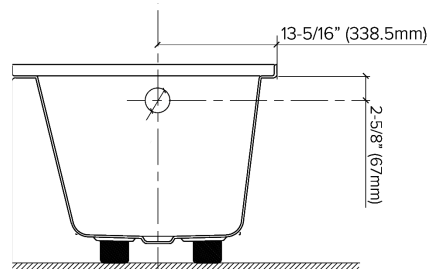


To Be Specified:

	COLOR
<input type="checkbox"/>	White
	FINISH
<input type="checkbox"/>	Gloss



Gloss White



Meets or Exceeds the Following Specifications
CSA B45.5/IAPMO Z124

OPTIONAL

SMTDT bathtub drain in decorative finishes

SPECIFICATIONS

SMTDT traditional Bathtub Drain with Overflow.
Drain is available in PVC only.

Finishes: PC Polished Chrome, BN Brushed Nickel and MB Matte Black.

To Be Specified:

FINISH	
<input type="checkbox"/>	PC Polished Chrome
<input type="checkbox"/>	BN Brushed Nickel
<input type="checkbox"/>	MB Matte Black



PC



BN



MB

