

WET ROOM CURBLESS SHOWER BASES INSTALLATION INSTRUCTION GUIDE

Application with Wood Subfloor

- 1** For typical wood subfloor, cut a 4.5 diameter hole in the center of the shower floor where the tile shower drain would normally be positioned. Disassemble the tile shower drain.
-

- 2** Place the shower drain base into the opening so that the drain base rests level on top of the wood subfloor.
-

- 3** Measure and cut vertical drainpipe to desired length. Ensure pipe ends are cut square, deburr the inside and chamfer the outside of all pipe ends, and remove all debris from pipe ends and hub connection of drain body.
-

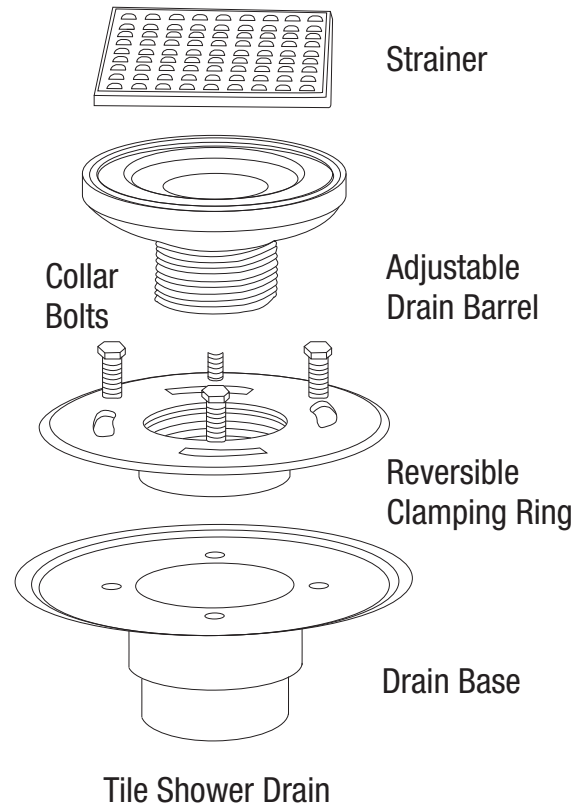
- 4** Interference fit between pipe and fittings hub must be completed prior to primer and cement application. Pipe should easily go 1/3 to 2/3 the way into the fitting hub.
-

- 5** Next follow steps in solvent welding the drain base to the drainpipe using primer and solvent cement.

- Apply primer inside the fitting hub, then the exterior of pipe end and again the fitting hub.
 - Once the primer has been applied to both surface, the cement must be applied within 5 minutes. If not, you must primer the surface again before applying cement.
- *Do not use primer on ABS pipe and fittings.**
- Turn drain base 1/4 of turn as you push the pipe end into the fittings hub.
-

- 6** Fasten the drain base by using the four countersunk holes around the perimeter of the drain flange, and anchor in place with a stainless steel or brass screw to decking or substrate. If provided, install reusable tool-free test plug by inserting and applying a 1/4 turn to seal in place. Rated to hold up to 40 feet of head pressure.

Note: Otherwise, proceed by covering the drain base opening with duct tape to keep debris from entering the drain.



WET ROOM CURBLESS SHOWER BASES

INSTALLATION INSTRUCTION GUIDE

Application with Wood Subfloor

7 Code requires a sloped base under waterproof layer. Choose the approved products for your application and install per manufacture's recommendations, then slope the base coat up and away from the top of but not over the drain base to all outside vertical framing 1/4" per foot.

8 When the primary mortar bed has cured, install the shower pan liner in the shower area according to manufacturer's recommendations. For full instruction on PVC Shower Pan Liner installation Visit transolid.com.

9 Locate where the drain hole is on the drain base and cut out the pan liner material to the dimension of the drain hole on the drain base. Make sure the weep holes are clear of any residual pan liner material or silicone sealant.

Note: The clamping ring can increase the height of the finished shower floor by approximately 3/4". You will see the extension if you turn ring upside down. Simply tighten it to the drain base the way you normally would, only inverted.

10 Perform flood test by closing off the drainpipe opening with an approved pneumatic or mechanical test plug. Fill the shower floor with water just below the top of the curb and let it sit for minimum 4 hours. Check for leaks and repair if necessary. Re-test the installation. repeat until the installation is leak free. Completely drain the water before proceeding to next step.

11 The clamping ring has an inner thread pattern that will accept the drain barrel and strainer assembly. Once you determine the finished height thread the drain barrel into the inside clamping ring threads so the finished floor will be flush with the top of the drain barrel. As mentioned, you can increase the shower drain barrel height by inverting the clamping ring.

12 Before the final mortar application place some pea gravel over the weep holes so the mortar does not completely cover them. Now lay the minimum 1-1/2" reinforcement mortar bed of concrete over the pan liner from the wall to the drain barrel, leaving enough room for the final thinset and tile application.
