

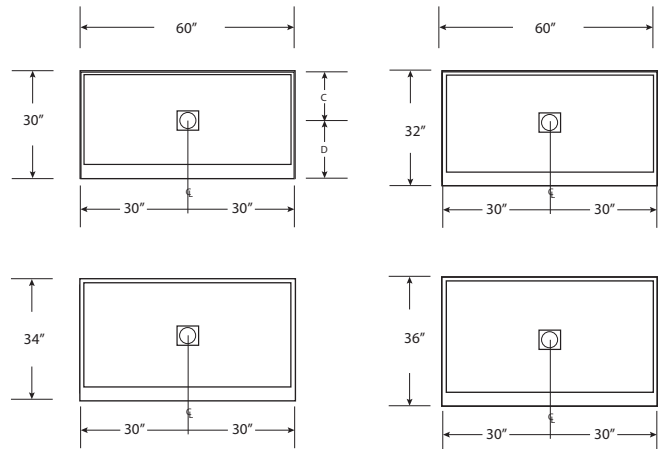
## FEATURES

- Single threshold for alcove installation.
- Low profile.
- Select from center drain or end drain location. For end drain location must order either LH or RH drain.
- Slip resistant texture.
- Light weight SMC sheet molding compound material.
- Installation for new and existing construction.
- Integral 1" high tiling flange for a waterproof installation.
- Easy installation. Level with thinset mortar mix.
- Self supporting.
- Linear Drains can be used in this base.
- Includes shower drain with white plastic cover.
- 5 Year Limited Residential Warranty / 3 Year Commercial Warranty

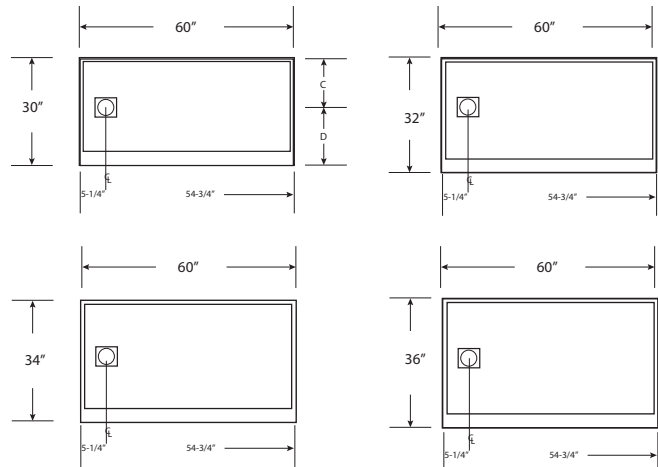


	Model	A	B	C	D	Wt.
<input type="checkbox"/>	FTT4940C	49"	40½"	18½"	21¾"	22.5
<input type="checkbox"/>	FTT6030C	60"	29¾"	13¼"	16½"	25.8
<input type="checkbox"/>	FTT6032C	60"	31¾"	14¼"	17½"	32.4
<input type="checkbox"/>	FTT6034C	60"	33¾"	15¼"	18½"	36.3
<input type="checkbox"/>	FTT6036C	60"	35¾"	16¼"	19½"	32.6
<input type="checkbox"/>	FTT6030R/L	60"	29¾"	13¼"	16½"	25.8
<input type="checkbox"/>	FTT6032R/L	60"	31¾"	14¼"	17½"	32.4
<input type="checkbox"/>	FTT6034R/L	60"	33¾"	15¼"	18½"	36.3
<input type="checkbox"/>	FTT6036R/L	60"	35¾"	16¼"	19½"	32.6

### FTT Center Drain Models



### FTT End Drain Models



SHOWER BASES

### Compliance Certifications - Meets or Exceeds the Following Specifications

- IGC 154-2012
- ASME A112.18.1 / CSA B125.125.1-11
- IAPMO
- cUPC®