

FEATURES:

- Micro edge dual mount installation. Sink can be installed under counter mounted or top mounted where the rim of the sink sits on the counter top.
- 25" (635) x 22" (559) x 12" (306) kitchen sink.
- Single compartment.
- Handcrafted from 16 gauge 304 stainless steel. Premium brushed finish.
- Includes a stainless steel faucet, stainless steel rollmate and stainless steel covered flip-top sink strainer.
- 10mm radius corners.
- Fits 30" (762) minimum base cabinet width.
- Easy to clean.

Components

Product includes:

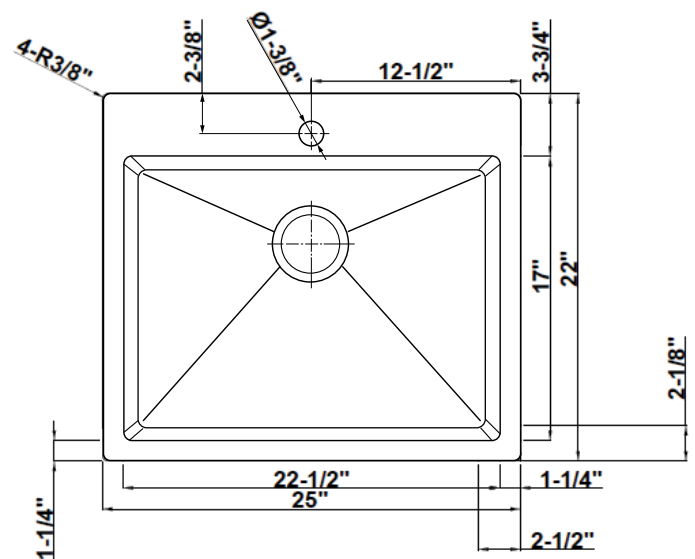
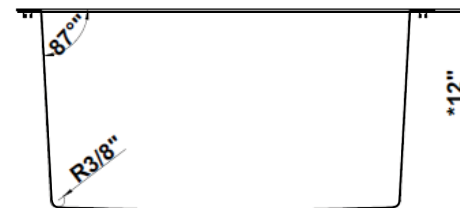
Sink LS-252212-BS
 Stainless steel flexible faucet
 Stainless steel rollmate
 Stainless steel covered flip-top
 Cutout Template
 Installation Hardware
 Installation Instructions

Warranty

- Lifetime Limited Warranty

Specified Model

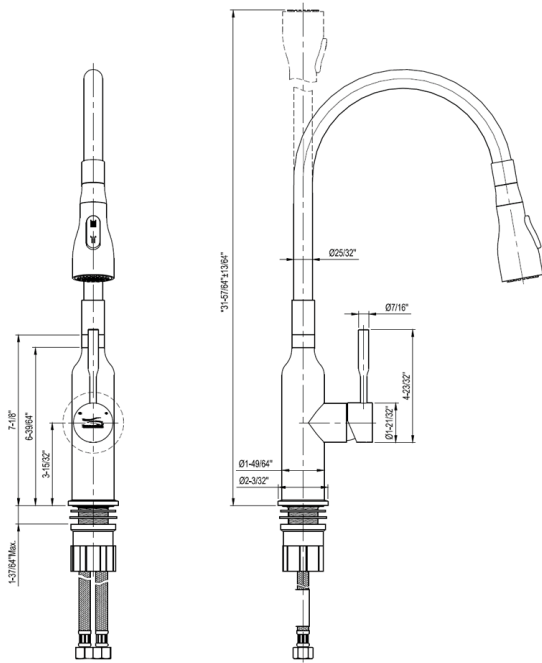
Model	LSA2-252212-BS
Overall Dimensions	L25" x W22" x D12" 635 x 559 x 306
Bowl Dimensions	L22-1/2" x W17" 572 x 432
Drain hole:	3-1/2" standard outlet hole
Shipping Weight	37 lbs.(17kg)
Material	16 gauge 304 stainless steel
Installation	top or under counter mounted
Required	template, included



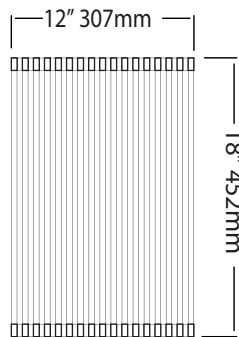
Notes

Install this product according to the installation instructions.

Component
Product includes:
Stainless steel faucet

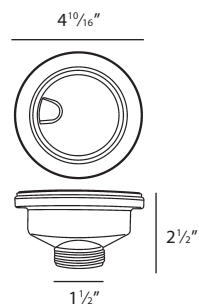


Stainless steel rollmate



- Size: 12"x18" suit for sink LS-252212-BS
- Dry dishes or food on top of drain board or bowl
- Sit on a ledge around the bowl to extend the the working space
- Protect the sink surface from a hot pan.
- Roll up and can save storage space
- Solid Square rack

Covered Flip Top Sink Strainer.



Water drains easily when cover is in place. Cover flips up with easy touch. Polypropylene housing. Fits standard 3-1/2" opening.